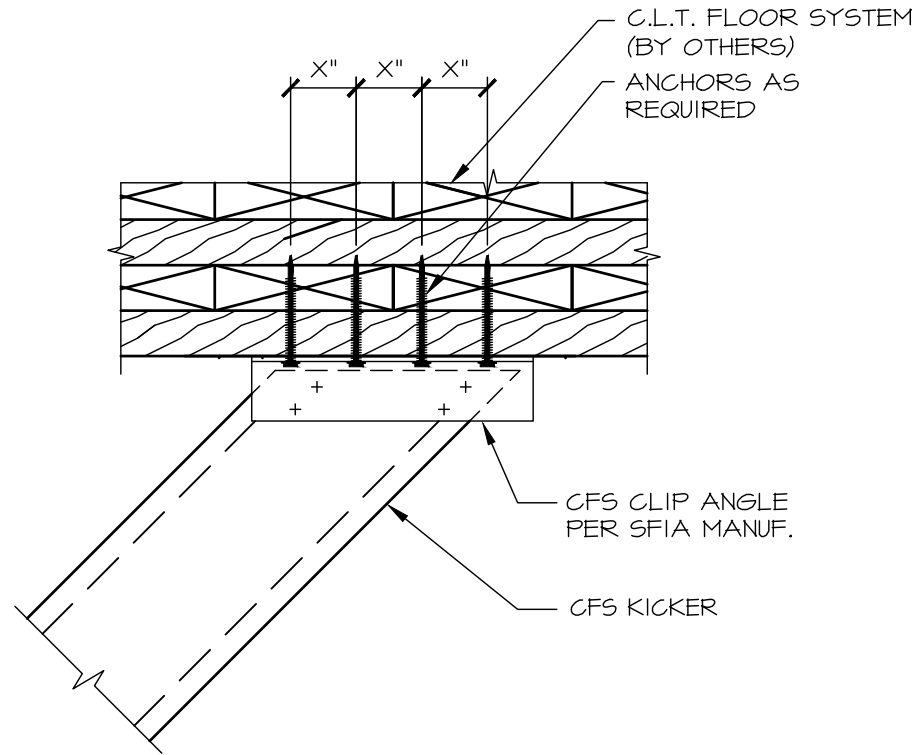


GENERAL NOTES:

1. REFERENCE THE SFIA TECHNICAL GUIDE FOR COLD-FORMED FRAMING PRODUCTS FOR CFS STUD AND TRACK MEMBER DESIGNATIONS.
2. CFS MEMBERS AND FASTENERS TO STRUCTURE MUST MEET ALL CURRENTLY ENFORCED LOCAL AND NATIONAL CODES.
3. CONSULT A SPECIALTY STRUCTURAL ENGINEER (SSE) FOR DESIGN AND ENGINEERING OF ALL CFS MEMBERS AND CONNECTIONS.
4. CONSULT THE NATIONAL DESIGN STANDARD (NDS) FOR WOOD CONSTRUCTION FOR ALL WOOD FASTENER EDGE DISTANCE, END DISTANCE, SPACING AND EMBEDMENT REQUIREMENTS.
5. CONSULT THE STRUCTURAL CONTRACT DOCUMENTS FOR THE DESIGN OF CLT AND TIMBER ASSEMBLIES.
6. CONSULT THE ARCHITECTURAL CONTRACT DOCUMENTS FOR THE COMPLETE WALL ASSEMBLY REQUIREMENTS.

DISCLAIMER: THIS DETAIL IS NOT TO BE USED WITHOUT REVIEW AND APPROVAL FROM THE ARCHITECT AND ENGINEER OF RECORD FOR THE PROJECT.



GENERAL NOTES:

1. REFERENCE THE SFIA TECHNICAL GUIDE FOR COLD-FORMED FRAMING PRODUCTS FOR CFS STUD AND TRACK MEMBER DESIGNATIONS.
2. CFS MEMBERS AND FASTENERS TO STRUCTURE MUST MEET ALL CURRENTLY ENFORCED LOCAL AND NATIONAL CODES.
3. CONSULT A SPECIALTY STRUCTURAL ENGINEER (SSE) FOR DESIGN AND ENGINEERING OF ALL CFS MEMBERS AND CONNECTIONS.
4. CONSULT THE NATIONAL DESIGN STANDARD (NDS) FOR WOOD CONSTRUCTION FOR ALL WOOD FASTENER EDGE DISTANCE, END DISTANCE, SPACING AND EMBEDMENT REQUIREMENTS.
5. CONSULT THE STRUCTURAL CONTRACT DOCUMENTS FOR THE DESIGN OF CLT AND TIMBER ASSEMBLIES.
6. CONSULT THE ARCHITECTURAL CONTRACT DOCUMENTS FOR THE COMPLETE WALL ASSEMBLY REQUIREMENTS.

DISCLAIMER: THIS DETAIL IS NOT TO BE USED WITHOUT REVIEW AND APPROVAL FROM THE ARCHITECT AND ENGINEER OF RECORD FOR THE PROJECT.

raSmith
CREATIVITY BEYOND ENGINEERING

16745 W. Bluemound Road
Brookfield, WI 53005-5938
(262) 781-1000
rasmith.com

Title:

DETAIL AT KICKER

Date:

10/30/20

SFIA 
STEEL FRAMING INDUSTRY ASSOCIATION