

Issue Date: 06-18-2015
Revision Date: 01-30-2024
Renewal Date: 01-31-2025

DIVISION: 05 00 00 – METALS
Section: 05 40 00 – Cold-Formed Metal Framing
Section: 05 41 00 – Structural Metal Stud Framing
Section: 05 42 00 – Cold-Formed Metal Joist
DIVISION: 09 00 00 – FINISHES
Section: 09 22 16 – Nonstructural Metal Framing

REPORT HOLDER:
STEEL FRAMING INDUSTRY ASSOCIATION
513 WEST BROAD STREET, SUITE 210
FALLS CHURCH, VIRGINIA 22046
(703) 538-1602
www.steel framing association.org

ADDITIONAL LISTEES:

CALIFORNIA EXPANDED METAL PRODUCTS COMPANY
(CEMCO)
13191 CROSSROADS PARKWAY NORTH SUITE 325
CITY OF INDUSTRY, CA 91746
(626) 369-3564
www.cemcosteel.com

CGK, INC. DBA PREMIER STEEL FABRICATION
10811 RUSH STREET
SOUTH EL MONTE, CA 91733
(626) 444-2649
<http://www.premiersteelfabrication.com>

CLARKDIETRICH™ BUILDING SYSTEMS
9050 CENTRE POINTE DR., SUITE 400
WEST CHESTER, OH 45069
(513) 870-1100
www.clarkdietrich.com

DELUXE BUILDING PRODUCTS LLC
1350 EAST LEXINGTON AVE.,
POMONA, CA 91766
(909) 342-2353
www.deluxebuildingproducts.com

FRAMETEK STEEL PRODUCTS INC.
1495 COLUMBIA AVE, BUILDING 4
RIVERSIDE, CA 92507
(951) 369-5204
www.frameteksteel.com

J AND S LIVONIA, INC. DBA JAIMES INDUSTRIES
12658 RICHFIELD COURT
LIVONIA, MI 48150
(734) 793-9000
www.JaimesInd.com

MBA BUILDING SUPPLIES
2200 TEMPEL DRIVE
LIBERTYVILLE, IL 60048
(847) 680-7773
www.mbastuds.com

MILL STEEL FRAMING
2905 LUCERNE DRIVE SE
GRAND RAPIDS, MI 49546
(812) 670-4195
www.millsteelframing.com

PANEL REY S.A.
SERAFÍN PEÑA SUR 938, CENTRO
MONTERREY, NUEVO LEÓN, MÉXICO 66560
+81-8305-3800
www.panelrey.com

R & P SUPPLY, INC
2642 E LONE MOUNTAIN ROAD
NORTH LAS VEGAS, NV 89081
(702) 400-8539
<http://rpsupplyinc.com>

STEEFAST FRAMING SYSTEMS
575 INDUSTRIAL PARKWAY
GREENVILLE, ALBAMA 36037
334-383-0333



SUPERIOR WALL SYSTEMS, INC DBA SWS
4231 LIBERTY BOULEVARD
SOUTH GATE, CA 90280
323-923-4900

<https://superiorwallsystems.com/>

REPORT SUBJECT:

Standard Cold-Formed Steel Framing Members

1.0 SCOPE OF EVALUATION

1.1. This research report addresses compliance with the following Codes:

- 2021, 2018 and 2015 *International Building Code*® (IBC)
- 2021, 2018 and 2015 *International Residential Code*® (IRC)
- 2023 and 2020 *Florida Building Code - Building* (FBC-B) (see Section 9.1)
- 2023 and 2020 *Florida Building Code - Residential* (FBC-R) (see Section 9.1)
- 2022 *California Building Code* (CBC) (see Section 9.2)
- 2022 *California Residential Code* (CRC) (see Section 9.2)

1.2. **NOTE: This report references 2018 IBC Code sections with [2015] IBC Code sections shown in brackets where they differ.** Standard Cold-Formed Steel Framing Members have been evaluated for the following properties:

- Structural
- Corrosion protection

1.3. Cold-formed steel framing members (studs, tracks, and U-channels) recognized in this report are used for framing of nonload-bearing interior walls, curtain walls, load-bearing walls, floor joists, headers, roof rafters and roof trusses.

2.0 STATEMENT OF COMPLIANCE

Cold-formed steel framing members comply with the Codes listed in Section 1.1, for the properties stated in Section 1.2 and uses stated in Section 1.3, when installed as described in this report, including the Conditions of Use stated in Section 6.

3.0 DESCRIPTION

3.1. Materials

3.1.1. Non-structural steel framing members are cold-formed from steel coils conforming to ASTM A 1003 Non-Structural Grade, Type NS. Non-structural members have a minimum protective coating of G40 galvanization conforming to ASTM A 653.

3.1.2. Structural steel framing members are cold-formed from steel coils conforming to ASTM A 1003 Structural Grade 33 Type H and Structural Grade 50 Type H. Structural members have a minimum protective coating in accordance with Table A4-1 CP 60 as listed in AISI S240 [Table 1, CP 60 as listed in ASTM C 955.]

3.2. Studs are manufactured with and without factory web punchouts. Web punchout holes are spaced a minimum of 24 inches on center along the stud length and shall not be located less than 10 inches from the end of the member to the near edge of the web punchout. Web punch-out widths shall not exceed 2.5 inches, or half of the member depth. Web punch-out length shall not exceed 4.5 inches. Tracks and U-channels are manufactured without web punch-outs.

3.3. See page 2 of the SFIA Technical Guide for Cold-Formed Steel Framing Products for member designations.

4.0 PERFORMANCE CHARACTERISTICS

4.1. Reference the SFIA Technical Guide for Cold-Formed Steel Framing Products (attached) for section properties in accordance with AISI S100 and design capacities and tables established in accordance with AISI S220 and, AISI S240, where only the following pages are within the scope of this report:

4.1.1. General Product Information on pages 2-4.

4.1.2. Non-Structural Stud, Structural Stud, and Track Section Properties on pages 5-16.

4.1.3. Limiting Wall Heights Tables for Interior Non-Structural Non-Composite on pages 17-19.





4.1.4. Limiting Wall Height Tables for Interior Non-Structural Composite on pages 20-21. Gypsum wall board must be a minimum of 5/8" thick and Type X, complying with ASTM C1396 and manufactured by American Gypsum, CertainTeed, Georgia Pacific, Lafarge, National Gypsum, Temple-Inland, or USG. The interior nonload-bearing wall assemblies shall be limited to interior installations where the superimposed axial load is zero pounds.

4.1.5. Limiting Wall Heights Tables for Curtain Wall Single-Span on pages 22-30.

4.1.6. Combined Axial and Lateral Allowable Load Tables on pages 31-61

4.1.7. Allowable Floor Joist Span Tables on pages 62-65.

4.1.8. Header Allowable Load Tables on pages 66-68. Lateral bracing of the compression flange shall be spaced at intervals not exceeding L_u (see section properties) to develop full allowable bending strength, M_a .

4.1.9. Allowable Web Crippling Load Tables on pages 69-73.

4.1.10. Channel Section Properties on pages 74-76. Allowable moments (M_a) apply to flexural members with the compression flange continuously braced.

4.2. For construction governed by the FBC High Velocity Hurricane Zone (HVHZ), the interior wall heights are limited to the heights at the L/240 and L/360 deflection levels.

5.0 CONDITION OF USE

The cold-formed steel framing members described in this Research Report comply with, or is a suitable alternative to, what is specified in those Codes listed in Sections 1.0 and 2.0 of this report, subject to the following conditions:

5.1. Installation must comply with this Research Report, the manufacturer's published installation instructions

and the applicable Code. In the event of a conflict between the manufacturer's instructions and this report, this report governs.

5.2. All designs and calculations shall be prepared by a licensed design professional according to the requirements in the jurisdiction where the project is located.

5.3. Jobsite manufacturing of studs or tracks is outside the scope of this report.

5.4. Wall assemblies based upon non-composite construction, pages 17-19 of the attached SFIA Technical Guide, are limited to a lateral (transverse) load of not more than 10 lb/ft², a superimposed vertical load, exclusive of sheathing materials, of not more than 100 lbf/ft, or a superimposed vertical load of not more than 200 lbs per stud.

5.5. The minimum base steel thickness of the section delivered to the jobsite must be 95% of the design thickness noted on page 3 of the SFIA Technical Guide for Cold-Formed Steel Framing Products.

5.6. Cold-Formed steel framing members identified in this report are manufactured at the manufacturing facilities recognized in Table 2 in accordance with the manufacturer's approved quality control system with inspections by Intertek.

6.0 SUPPORTING EVIDENCE

6.1. Manufacturer's drawings and installation instructions.

6.2. Steel Framing Industry Association Technical Guide for Cold-Formed Steel Framing Products, Version 2023.1 published February 2023

6.3. Reports of testing and engineering analysis demonstrating compliance with ICC-ES AC46, *Acceptance Criteria for Cold-formed Steel Framing Members*, approved October 2019 (editorially revised December 2020).





6.4. Reports of evaluation and engineering analysis in accordance with AISI S100-16, North American Specification for the Design of Cold-Formed Steel Structural Members.

6.5. Reports of testing and engineer analysis demonstrating compliance with ICC-ES AC86, Acceptance Criteria for Cold-Formed Steel Framing Members - Interior Nonload-Bearing Wall Assemblies, approved June 2019 (editorially revised October 2021).

6.6. Documentation of an Intertek approved quality control system for the manufacturing of products recognized in this report.

7.0 IDENTIFICATION

The Standard Cold-Formed Steel Framing Members described in this Research Report are identified with labeling at a maximum of 96 inches that includes the following information:

7.1. Manufacturer’s name, logo, or other positive identification;

7.2. For structural steel framing members: framing member designation, uncoated metal thickness, yield strength, and galvanization coating designation, CP60

7.3. For non-structural steel framing members: framing member designation, uncoated metal thickness, yield strength if other than 33 ksi, galvanization coating if other than G40, and designation “NS”.

7.4. Intertek designation and Code Compliance Research Report number (Intertek CCRR-0224)

7.5. Bundles of like members shall be identified with the, manufacturer’s name, length of product, quantity of product, uncoated metal thickness, yield strength, galvanization coating, and Intertek identification mark and Code Compliance Research Report number as shown:



8.0 OTHER CODES

8.1. FLORIDA BUILDING CODE

8.1.1. **Scope of Evaluation:** The Standard Cold-Formed Steel Framing Members were evaluated for compliance with the 2023 and 2020 *Florida Building Code – Building and Florida Building Code – Residential*.

8.1.2. **Conclusion:** The Standard Cold-Formed Steel Framing Members, described in Sections 2.0 through 7.0 of this Research Report, comply with the 2023 and 2020 *Florida Building Code – Building and Florida Building Code – Residential*, including the High-Velocity Hurricane Zone provisions.

8.2. CALIFORNIA BUILDING CODE

8.2.1. **Scope of Evaluation:** The Standard Cold-Formed Steel Framing Members were evaluated for compliance with the 2022 California Building Code and California Residential Code.

8.2.2. **Conclusion:** The Standard Cold-Formed Steel Framing Members, described in Sections 2.0 through 7.0 of this Research Report, comply with the 2022 *California Building Code and California Residential Code*.

9.0 CODE COMPLIANCE RESEARCH REPORT USE

9.1. Approval of building products and/or materials can only be granted by a building official having legal authority in the specific jurisdiction where approval is sought.

9.2. Code Compliance Research Reports shall not be used in any manner that implies an endorsement of the product by Intertek.

9.3. Reference to the Intertek web site, <https://bpdirectory.intertek.com> is recommended to ascertain the current version and status of this report.





Table 1 – Code Referenced Standards

2021 IBC [2018 IBC]		2023 FBC [2020 FBC]		2022 CBC	
Structural members	Nonstructural members	Structural members	Nonstructural members	Structural members	Nonstructural members
AISI S100-16(2020) w/S2-20 [AISI S100-16]	AISI S100-16(2020) w/S2-20 [AISI S100-16]	AISI S100-16(2020) w/S2-20 [AISI S100-16]	AISI S100-16(2020) w/S2-20 [AISI S100-16]	AISI S100-16(2020) w/S2-20	AISI S100-16(2020) w/S2-20
AISI S240-20 [AISI S240-15]	AISI S220-20 [AISI S220-15]	AISI S240-20 [AISI S240-15]	AISI S220-20 [AISI S220-15]	AISI S240-20	AISI S220-20

This Code Compliance Research Report ("Report") is for the exclusive use of Intertek's Client and is provided pursuant to the agreement between Intertek and its Client. Intertek's responsibility and liability are limited to the terms and conditions of the agreement. Intertek assumes no liability to any party, other than to the Client in accordance with the agreement, for any loss, expense or damage occasioned by the use of this Report. Only the Client is authorized to permit copying or distribution of this Report and then only in its entirety, and the Client shall not use the Report in a misleading manner. Client further agrees and understands that reliance upon the Report is limited to the representations made therein. The Report is not an endorsement or recommendation for use of the subject and/or product described herein. This Report is not the Intertek Listing Report covering the subject product and utilized for Intertek Certification and this Report does not represent authorization for the use of any Intertek certification marks. Any use of the Intertek name or one of its marks for the sale or advertisement of the tested material, product or service must first be approved in writing by Intertek.





TABLE 2 – MANUFACTURING LOCATIONS

Listee	Location	Structural	Non-Structural
CEMCO	263 North Covina Lane, City of Industry, CA 91746	X	
	490 Osage Street, Denver, CO 80204	X	
	8600 Will Rodgers Boulevard, Fort Worth, TX 76140	X	
	1741-A Pittsburg-Antioch Highway, Pittsburg, CA 94565	X	
ClarkDietrich™ Building Systems	38020 Pulp Drive, Dade City, FL 33523	X	X
	6510 General Drive, Riverside, CA 92509	X	X
	1685 Tide Court, Woodland, CA 95776	X	X
Deluxe Building Products LLC	1350 East Lexington Ave., Pomona, CA 91766	X	X
Frametek Steel Products	1495 Columbia Avenue, Riverside, CA 92507	X	X
Jaimes Industries	12658 Richfield Court, Livonia, MI 48150	X	X
MBA Building Supplies	2200 Tempel Drive, Libertyville, IL 60048	X	X
	1217 West Grand Ave Rainbow City, AL 35906	X	
	100 Fireman's Rd, Frackville, PA 17931	X	
	10880 Bekay Street, Dallas, TX 75238	X	
Mill Steel Framing	100 Finley Ave W, Birmingham, AL 35204	X	
	555 Gellhorn Dr, Houston, TX 77029	X	
	1195 Port Rd, Jeffersonville, IN 47130	X	X
Panel Rey	Carr. Monterrey-Monclova Km. 11.5, El Carmen, Nuevo León, México 66560	X	X
Premier Steel Fabrication	10811 Rush Street, South El Monte, CA 91733		X
R&P Supply	2642 East Lone Mountain Road, North Las Vegas, NV 89081	X	X
Steelfast Framing Systems	575 Industrial Parkway, Greenville, AL 36037	X	X
Superior Wall Systems (SWS)	4231 Liberty Boulevard, South Gate, CA 90280	X	X





Technical Guide for Cold-Formed Steel Framing Products

Technical Data in this publication is applicable to the following SFIA Member Company:

For a complete directory of SFIA Members who are certified for compliance with the International Building Code and all applicable ASTM and AISI Standards:

http://www.archtest.com/certification/SFIA_SteelFraming_Intertek.aspx

The data in this guide is based upon the 2016 American Iron and Steel Institute's S100-16 /S2-20 "North American Specification for the Design of Cold-Formed Steel Structural Members", and meets the requirements of the IBC 2021 Building Code, as well as the 2022 California Building Code and 2020 Florida Building Code.

Complies with the 2021 IBC and AISI S100-16/S2-20

The Steel Framing Industry Association (SFIA) was formed with the objective of assisting companies having interests in the cold-formed steel framing industry to be more successful by unifying the industry to expand the market for the use of cold formed steel systems through:

- (a) Quality Assurance
- (b) Promotion
- (c) Advocacy
- (d) Education
- (e) Innovation

The SFIA developed this Industry leading product technical guide to comply with the latest building codes and standards. The data in this catalog based on the American Iron and Steel Institute's AISI S100-16/S2-20 "North American Specification for the Design of Cold-Formed Steel Structural Members" and meets the requirements of the 2021 International Building Code (IBC). While building codes vary by jurisdiction, this program follows the most recent international standards published by the International Code Council.

Material Specification

Products manufactured by SFIA members are formed from steel with a minimum yield stress of 33 or 50 kips per square inch (ksi). Unless noted otherwise, all products covered in this SFIA catalog are engineered to meet the 2016 edition of the American Iron and Steel Institute (AISI) S100-16/S2-20, "North American Specification of the Design of Cold-Formed Steel Structural Members" and other AISI standards referenced in Section 2210 of the 2021 International Building Code (IBC-2021). The structural properties in this SFIA catalog have been computed based on allowable stress design (ASD) which includes distortional buckling considerations for all Stud Sections. For fastener tables, screw sizes and head diameters do not refer to specific fasteners which may or may not be available from SFIA member companies. Shear and tension data for screws was developed using published manufacturer data and evaluation reports available at the time of publications.

Disclaimer

A concerted effort has been made to ensure the accuracy of the technical data represented in this catalog. The Steel Framing Industry Association makes no representation, warranty, or guarantee in connection with this technical data and expressly disclaims any liability or responsibility for failure resulting from the use or misapplication of computations, detail drawings and specifications contained herein. All data, specifications and details contained in this catalog publications are intended as a general guide for using SFIA member companies products. These products should not be used in design or construction without an independent evaluation by a qualified engineer or architect to verify the suitability of a particular product for use in a specific application. This publication contains the latest information available at the time of printing. The SFIA and its member companies reserve the right to make modifications and/or change materials of any of their products without prior notice or obligation. For the latest information regarding a particular manufacturer's products contact that manufacturer. All SFIA manufacturers may not produce all of the products listed in this catalog. Please contact manufacturer to verify product availability.

Table of Contents

INTRODUCTION	Inside Front Cover	Floor Joist Span Tables	62
Material Specifications	Inside Front Cover	Allowable Floor Joist Span Table Notes	62
Disclaimer	Inside Front Cover	Allowable Floor Joist Spans	63
Table of Contents	1	Header Load Tables	66
General Product Information	2	Header Load Table Notes	66
Product Identification	2	Header Allowable Uniform Loads	67
Thickness – Steel Components	3	Web Crippling Load Tables	69
Design Stiffening Lip Length	3	Web Crippling Load Table Notes	69
General Notes for all Tables	3	Web Crippling Conditions	69
Definitions of Structural Property Symbols	4	Allowable Web Crippling Loads – Single Members	70
Section Properties	5	Allowable Web Crippling Loads – Back-to-Back Members	72
Section Properties Table Notes	5	Channel Properties	74
Non-Structural (S) Stud Section Properties	6	U-Channel Section Properties	74
Structural (S) Stud Section Properties	7	U-Channel Allowable Ceiling Spans	74
Structural (T) Track Section Properties	11	(Hat) Furring (F) Channel Section Properties	75
Web Depth to Thickness Ratios	16	(Hat) Furring (F) Channel Allowable Ceiling Spans	75
Wall Height Tables	17	Fasteners (Screws and Welds)	77
Interior Non-Structural Non-Composite	17	Allowable Loads for Screw Connections	77
Interior Non-Structural Composite	20	Allowable Loads for Fillet Welds and Flare Groove Welds	78
Limiting Wall Heights – Curtain Wall Single-Span Table Notes	22	Typical Details	79
Limiting Wall Heights – Curtain Wall Single-Span	23	Joist Bridging	79
Combined Axial and Lateral Load Tables	31	Strapping Lateral Bracing	80
Combined Axial and Lateral Load Table Notes	31	Additional Technical Resources	81
Allowable Axial Loads	32	Fire Rated Assemblies and Generic CFS Products	82
		SFIA Information	Back Cover

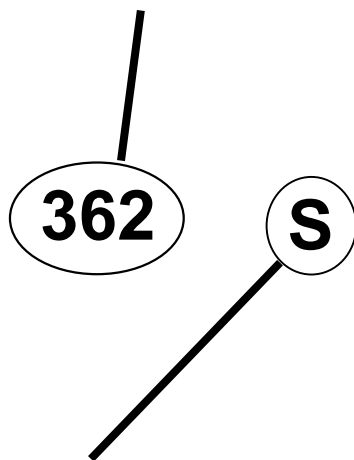
General Product Information

The Steel Framing Industry Association (SFIA) supports the industry standard nomenclature published in the American Iron and Steel Institute's (AISI) General Provisions, S202, section E4, which references AISI S220 and S240, Section A5.5 and states that .."structural members and non-structural members shall use a four-part product designator that identifies the size (both web depth and flange width), style, and thickness." An example of this designator is shown below:

EXAMPLE:

MEMBER DEPTH:

(Example: $3\text{-}5/8" = 3.625" \sim 362 \times 1/100$ inches)
All member depths are taken in 1/100 inches.
For all "T" Sections, member depth is the inside to inside dimension.

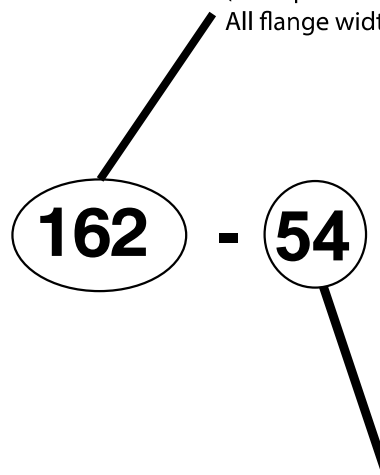


STYLE:

(Example: Stud or Joist section = S)
The five alpha characters utilized by the designator system are:
S = Stud or Joist Sections
T = Track Sections
U = Channel Sections
F = Furring Channel Sections
L = Angle or L-header

FLANGE WIDTH:

(Example: $1\text{-}5/8" = 1.625" \sim 162 \times 1/100$ inches)
All flange widths are taken in 1/100 inches.



MATERIAL THICKNESS:

(Example: 0.054 in = 54 mils; 1 mil = 1/1000 in.)
Material thickness is the minimum base metal thickness in mils. Minimum base metal thickness represents 95% of the design thickness.

NOTE: For Structural members 54 mil (16 gauge) and thicker, that have both 33 and 50 ksi yield strength options shown, the designer shall identify which yield strength he has specified and the manufacturer shall label the product with the yield strength.

Thickness Table

Designation Thickness (Mils)	Minimum Thickness ¹ (in)	Design Thickness (in)	Design Inside Corner Radii ² (in)	Reference Gauge No.
18	0.0179	0.0188	0.0844	25
27	0.0269	0.0283	0.0796	22
30	0.0296	0.0312	0.0782	20-Drywall
33	0.0329	0.0346	0.0765	20-Structural
43	0.0428	0.0451	0.0712	18
54	0.0538	0.0566	0.0849	16
68	0.0677	0.0713	0.1070	14
97	0.0966	0.1017	0.1526	12
118	0.1180	0.1242	0.1863	10

Stiffening Lip Length

Section	Flange Width	Design Stiffening Lip Length (in)
S125	1 1/4"	0.188
S137	1 3/8"	0.375
S162	1 5/8"	0.500
S200	2"	0.625
S250	2 1/2"	0.625
S300	3"	0.625
S350	3 1/2"	1.000

¹ Minimum Thickness represents 95% of the design thickness and is the minimum acceptable thickness delivered to the jobsite based on section B7.1 of the AISI S100-16/S1-18.

² The tables in this catalog are calculated based on inside corner radii listed in this table.

General Notes for all Tables

- Where AISI S100-16/S2-20 is referenced, it is the "North American Specification for the Design of Cold-Formed Steel Structural Members", 2016 Edition, Supplement 2-20, with US provisions.
- The strength increase from cold work of forming has been incorporated for flexural strength per Section A3.3.2 of AISI S100-16/S2-20.
- The effective moment of inertia for deflection is calculated at a stress which results in a section modulus such that the stress times the section modulus at that stress is equal to the allowable moment. AISI S100-16/S2-20 Specification Procedure 1 for serviceability determination has been used. Increases in the effective moment of Inertia (I_{xe}) may be possible at lower stress levels. Any modified values would be required to be calculated by a qualified engineer.
- Various sections may be manufactured with yield points of 33 or 50 ksi. The yield point used for calculations are listed in the tables.
- For sections available in both 33 and 50 ksi, the specifier must be clearly indicate which yield point is required. For example: 362S162-68 (50ksi).
- When provided, factory punchouts will be located along the centerline of the webs of the members and will have a minimum center-to-center spacing of 24 inches. Punchouts for members greater that 2.5 inches deep are a maximum of 1.5 inches wide x 4 inches long.

Members with depths 2.5 inches and smaller are maximum of 3/4 inches wide x 4 inches long.

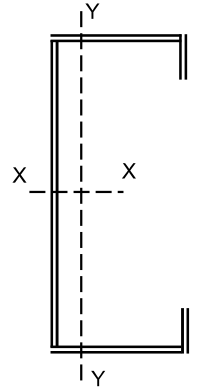
Definitions of Structural Property Symbols

Gross Properties

- I_x: Moment of inertia of gross section about the X-X axis (strong axis).
S_x: Section modulus about the X-X axis (strong axis).
R_x: Radius of gyration of the gross section about the X-X axis.
I_y: Moment of inertia of gross section about the Y-Y axis (weak axis).
R_y: Radius of gyration of the gross section about the Y-Y axis.

Effective Properties

- I_{xe}: Effective moment of inertia about the X-axis.
S_{xe}: Effective section modulus about the X-X axis (strong axis) stress = F_y.
M_a: Allowable Bending Moment - Based on the effective section modulus and the allowable stress including the strength increase from the cold-work of forming (Section A3.3.2) where applicable.
M_{ad}: Allowable Bending Moment - Based on Distortional Buckling Strength calculated per Sections F4, F4.1 of AISI S100-16/S2-20.
V_{ag}: Allowable strong axis shear away from punchout, calculated in accordance with Section G2 of AISI S100-16/S2-20.
V_{anet}: Allowable strong axis shear at punchout, calculated in accordance with Section G3 of AISI S100-16.



Torsional and Other Properties

- J: St. Venant Torsional Constant.
C_w: Torsional warping constant.
m: Distance from shear center to mid-plane of web.
X_o: Distance from the shear center to the centroid along the principal X-axis.
R_o: Polar radius of gyration about the centroidal principal axis.
b: $1-(X_o/R_o)^2$
L_u: The longest weak axis (L_y) and torsional (L_t) unbraced length at which lateral torsional buckling is restrained in accordance with Section F2.1 of AISI S100-16/S2-20.

Section Properties Table Notes

1. Calculated properties are based on AISI S100-16 /S2-20 "North American Specification for the Design of Cold-Formed Steel Structural Members."
2. The centerline bend radius is based upon inside corner radii shown in Table as shown in the Thickness Table (page 3).
3. Effective properties incorporate the strength increase from the cold work of forming as applicable per AISI A3.3.2.
4. Tabulated gross properties, including torsional properties, are based upon full-unreduced cross section of the studs, away from punchouts.
5. For deflection calculations, use the effective moment of inertia.
6. Allowable moment includes cold-work of forming.
7. For the steels that have both 33 and 50 ksi listing, if the design is based upon 50 ksi, the 50 ksi steel needs to be specified. (Example: 3625 S137 16-50 (50 ksi)).
8. Web depth for track sections is equal to the nominal stud width plus 2 times the design thickness plus the bend radius. Hems on nonstructural track sections are ignored.

Non-Structural (S) Stud Section Properties

Member	Design Thickness (in)	F _y (ksi)	Area (in ²)	Weight (lb/ft)	Gross Properties					Effective Properties					Torsional Properties							
					I _x (in ⁴)	S _x (in ³)	R _x (in)	I _y (in ⁴)	R _y (in)	I _x (in ⁴)	S _x (in ³)	M _s (in-k)	M _{ed} (in-k)	V _a (lb)	V _{a-net} (lb)	J x 1000 (in ⁴)	C _w (in ⁶)	X _o (in)	m (in)	R _o (in)	β	L _c (in)
162S125-18	0.0188	33	0.080	0.27	0.038	0.046	0.686	0.016	0.447	0.030	0.031	0.62	0.58	302	100	0.009	0.009	-1.029	0.594	1.315	0.388	29.0
162S125-27	0.0283	33	0.120	0.41	0.056	0.069	0.682	0.023	0.443	0.048	0.053	1.05	0.99	494	106	0.032	0.013	-1.018	0.587	1.303	0.390	29.1
162S125-30	0.0312	33	0.132	0.45	0.061	0.075	0.681	0.026	0.441	0.054	0.061	1.20	1.13	543	106	0.043	0.014	-1.014	0.585	1.299	0.390	29.2
162S125-33	0.0346	33	0.145	0.49	0.067	0.083	0.679	0.028	0.440	0.061	0.070	1.38	1.28	601	105	0.058	0.016	-1.010	0.583	1.294	0.391	29.3
250S125-18	0.0188	33	0.097	0.33	0.099	0.079	1.014	0.019	0.439	0.082	0.058	1.14	0.93	258	196	0.011	0.023	-0.904	0.543	1.428	0.599	29.0
250S125-27	0.0283	33	0.144	0.49	0.147	0.118	1.009	0.027	0.434	0.130	0.096	1.89	1.61	685	354	0.039	0.034	-0.893	0.537	1.416	0.602	28.9
250S125-30	0.0283	33	0.159	0.54	0.161	0.129	1.008	0.030	0.433	0.145	0.108	2.14	1.84	833	378	0.052	0.037	-0.890	0.535	1.413	0.603	28.9
250S125-33	0.0346	33	0.176	0.60	0.178	0.142	1.007	0.033	0.431	0.164	0.124	2.45	2.11	975	399	0.070	0.040	-0.886	0.532	1.409	0.604	28.9
250S125-43	0.0451	33	0.227	0.77	0.228	0.182	1.002	0.041	0.427	0.222	0.181	3.47	3.00	1266	394	0.154	0.050	-0.874	0.526	1.396	0.608	28.9
250S125-54	0.0566	33	0.280	0.95	0.277	0.222	0.994	0.049	0.419	0.272	0.220	4.27	3.99	1553	373	0.299	0.060	-0.859	0.518	1.379	0.612	26.8
350S125-18	0.0188	33	0.115	0.39	0.215	0.123	1.366	0.021	0.423	0.160	0.075	1.48	1.34	180	159	0.014	0.050	-0.798	0.495	1.638	0.763	28.8
350S125-27	0.0283	33	0.173	0.59	0.320	0.183	1.361	0.030	0.419	0.268	0.135	2.67	2.37	614	359	0.046	0.073	-0.788	0.489	1.627	0.766	28.7
350S125-30	0.0312	33	0.190	0.65	0.351	0.201	1.360	0.033	0.417	0.303	0.156	3.08	2.71	824	435	0.062	0.079	-0.784	0.488	1.624	0.767	28.6
350S125-33	0.0346	33	0.210	0.72	0.388	0.222	1.358	0.036	0.416	0.344	0.181	3.58	3.13	1024	487	0.084	0.087	-0.781	0.485	1.621	0.768	28.6
350S125-43	0.0451	33	0.272	0.93	0.498	0.284	1.352	0.046	0.411	0.475	0.265	5.25	4.51	1740	631	0.185	0.109	-0.769	0.479	1.609	0.771	28.5
350S125-54	0.0566	33	0.337	1.15	0.609	0.348	1.344	0.055	0.403	0.587	0.332	6.57	6.08	2253	633	0.360	0.131	-0.755	0.472	1.593	0.775	28.4
362S125-18	0.0188	33	0.118	0.40	0.234	0.129	1.409	0.021	0.421	0.173	0.078	1.54	1.39	173	163	0.014	0.054	-0.786	0.490	1.667	0.778	28.8
362S125-27	0.0283	33	0.176	0.60	0.347	0.192	1.404	0.031	0.416	0.290	0.141	2.78	2.47	592	370	0.047	0.079	-0.776	0.484	1.657	0.781	28.6
362S125-30	0.0312	33	0.194	0.66	0.381	0.210	1.402	0.033	0.415	0.328	0.162	3.21	2.83	793	449	0.063	0.086	-0.773	0.482	1.654	0.782	28.6
362S125-33	0.0346	33	0.215	0.73	0.421	0.232	1.401	0.037	0.413	0.373	0.189	3.73	3.26	1024	521	0.086	0.094	-0.770	0.480	1.651	0.783	28.5
362S125-43	0.0451	33	0.278	0.95	0.541	0.298	1.395	0.046	0.408	0.516	0.278	5.48	4.71	1740	676	0.188	0.118	-0.758	0.474	1.640	0.786	28.4
362S125-54	0.0566	33	0.344	1.17	0.661	0.365	1.386	0.055	0.401	0.639	0.349	6.91	6.36	2341	705	0.367	0.142	-0.744	0.466	1.624	0.790	28.3
400S125-18 ¹	0.0188	33	0.125	0.42	0.294	0.147	1.536	0.021	0.415	0.215	0.087	1.43	1.29	156	125	0.015	0.068	-0.755	0.475	1.761	0.816	28.7
400S125-27	0.0283	33	0.187	0.64	0.438	0.219	1.531	0.031	0.410	0.363	0.158	3.12	2.76	533	398	0.050	0.098	-0.745	0.469	1.751	0.819	28.5
400S125-30	0.0312	33	0.206	0.70	0.481	0.240	1.529	0.034	0.409	0.411	0.182	3.60	3.16	715	484	0.067	0.108	-0.742	0.467	1.748	0.820	28.5
400S125-33	0.0346	33	0.228	0.77	0.531	0.265	1.527	0.038	0.407	0.468	0.213	4.20	3.66	976	595	0.091	0.118	-0.738	0.465	1.745	0.821	28.4
400S125-43	0.0451	33	0.295	1.00	0.682	0.341	1.522	0.048	0.402	0.650	0.314	6.20	5.31	1740	810	0.200	0.148	-0.727	0.459	1.734	0.824	28.2
400S125-54	0.0566	33	0.365	1.24	0.836	0.418	1.512	0.057	0.394	0.809	0.399	7.88	7.19	2604	944	0.390	0.178	-0.713	0.452	1.718	0.828	28.1
550S125-18 ²	0.0188	33	0.153	0.52	0.630	0.229	2.029	0.023	0.390	0.449	0.130	2.14	1.77	112	89	0.018	0.141	-0.651	0.423	2.166	0.910	28.2
550S125-27	0.0283	33	0.229	0.78	0.939	0.341	2.023	0.034	0.385	0.767	0.238	4.70	3.89	382	382	0.061	0.205	-0.642	0.417	2.158	0.912	27.9
550S125-30	0.0312	33	0.252	0.86	1.032	0.375	2.022	0.037	0.384	0.870	0.275	5.44	4.49	512	512	0.082	0.224	-0.639	0.416	2.155	0.912	27.9
550S125-33	0.0346	33	0.279	0.95	1.140	0.415	2.020	0.041	0.382	0.993	0.321	6.35	5.23	698	698	0.112	0.246	-0.636	0.414	2.152	0.913	27.8
550S125-43	0.0451	33	0.362	1.23	1.469	0.534	2.013	0.052	0.377	1.404	0.492	9.72	7.71	1550	1199	0.246	0.309	-0.626	0.408	2.142	0.915	27.6
550S125-54	0.0566	33	0.450	1.53	1.806	0.657	2.003	0.062	0.370	1.773	0.641	12.66	10.63	2740	1666	0.481	0.374	-0.613	0.401	2.127	0.917	27.3
600S125-18 ²	0.0188	33	0.162	0.55	0.779	0.260	2.190	0.024	0.382	0.543	0.142	2.35	1.92	102	82	0.019	0.172	-0.623	0.408	2.308	0.927	28.0
600S125-27 ¹	0.0283	33	0.243	0.83	1.161	0.387	2.184	0.035	0.378	0.932	0.262	4.33	3.54	349	279	0.065	0.251	-0.614	0.403	2.300	0.929	27.7
600S125-30	0.0312	33	0.268	0.91	1.276	0.425	2.182	0.038	0.376	1.059	0.304	6.00	4.91	468	468	0.087	0.274	-0.611	0.401	2.297	0.929	27.7
600S125-33	0.0346	33	0.297	1.01	1.410	0.470	2.180	0.042	0.375	1.212	0.355	7.01	5.73	638	638	0.118	0.300	-0.608	0.399	2.294	0.930	27.6
600S125-43	0.0451	33	0.385	1.31	1.818	0.606	2.173	0.053	0.370	1.719	0.544	10.75	8.50	1415	1240	0.261	0.379	-0.598	0.393	2.284	0.931	27.3
600S125-54	0.0566	33	0.479	1.63	2.237	0.746	2.162	0.063	0.362	2.189	0.720	14.24	11.77	2740	1890	0.511	0.457	-0.586	0.386	2.269	0.933	27.1
800S125-33 ¹	0.0346	33	0.366	1.24	2.883	0.721	2.807	0.044	0.347	2.331	0.492	8.11	6.28	474	379	0.146	0.583	-0.519	0.350	2.875	0.967	26.6
800S125-43	0.0451	33	0.475	1.62	3.723	0.931	2.799	0.056	0.342	3.337	0.750	14.82	11.36	1051	1051	0.322	0.735	-0.510	0.344	2.866	0.968	26.4
800S125-54	0.0566	33	0.592	2.01	4.596	1.149	2.787	0.066	0.335	4.323	1.018	20.12	16.01	2091	2091	0.632	0.890	-0.500	0.338	2.851	0.969	26.0

¹ Web-height to thickness ratio exceeds 200. Web Stiffeners are required at all support points and concentrated loads.

² When web height-to thickness ratio exceeds 260, or flange width-to-thickness ratio exceeds 60, effective properties are not calculated (limitations in AISI Section B4.1).

See Section Properties Table Notes on page 5.

Section Properties

(T) Track Section Properties

Member	Design Thickness (in)	Fy (ksi)	Gross Properties						Effective Properties				Torsional Properties						
			Area (in ²)	Weight (lb/ft)	I _x (in ⁴)	S _x (in ³)	R _x (in)	I _y (in ⁴)	R _y (in)	I _x (in ⁴)	S _x (in ³)	M _a (in-k)	V _a (lb)	J x 1000 (in ⁴)	C _w (in ⁶)	X _c (in)	m (in)	R _o (in)	β
1000T150-68	0.0713	33	0.926	3.15	11.450	2.234	3.517	0.124	0.366	11.345	1.848	36.52	3260	1.5688	2.522	-0.505	0.339	3.572	0.980
1000T150-97	0.1017	33	1.320	4.49	16.420	3.171	3.527	0.172	0.361	16.416	3.166	62.55	8846	4.5504	3.557	-0.495	0.332	3.580	0.981
1000T200-43 ¹	0.0451	33	0.631	2.15	8.364	1.646	3.641	0.183	0.539	6.723	0.861	14.21	822	0.4278	3.540	-0.813	0.534	3.769	0.953
1000T200-54	0.0566	33	0.792	2.69	10.520	2.063	3.645	0.228	0.537	9.233	1.297	25.62	1627	0.8454	4.434	-0.809	0.531	3.772	0.954
1000T200-68	0.0713	33	0.997	3.39	13.296	2.595	3.652	0.284	0.534	12.556	1.939	38.31	3260	1.6896	5.576	-0.803	0.527	3.777	0.955
1000T200-97	0.1017	33	1.422	4.84	19.093	3.687	3.665	0.397	0.528	19.043	3.432	67.81	8846	4.9010	7.924	-0.791	0.519	3.786	0.956
1200T125-54 ¹	0.0566	33	0.820	2.79	13.341	2.187	4.034	0.060	0.271	12.295	1.493	24.63	1354	0.8756	1.820	-0.333	0.230	4.056	0.993
1200T125-54 ¹	0.0566	50	0.820	2.79	13.341	2.187	4.034	0.060	0.271	11.460	1.287	32.18	1354	0.8756	1.820	-0.333	0.230	4.056	0.993
1200T125-68	0.0713	33	1.033	3.51	16.834	2.749	4.037	0.074	0.268	16.243	2.208	43.64	2712	1.7501	2.270	-0.329	0.227	4.060	0.993
1200T125-97	0.1017	33	1.472	5.01	24.090	3.899	4.045	0.102	0.264	24.081	3.691	72.93	7901	5.0763	3.171	-0.322	0.222	4.066	0.994
1200T150-54 ¹	0.0566	33	0.848	2.89	14.384	2.358	4.118	0.103	0.348	12.962	1.531	25.26	1354	0.9059	3.033	-0.454	0.310	4.157	0.988
1200T150-54 ¹	0.0566	50	0.848	2.89	14.384	2.358	4.118	0.103	0.348	12.021	1.314	32.85	1354	0.9059	3.033	-0.454	0.310	4.157	0.988
1200T150-68	0.0713	33	1.068	3.63	18.156	2.964	4.122	0.127	0.345	17.571	2.283	45.12	2712	1.8105	3.795	-0.450	0.307	4.161	0.988
1200T150-97	0.1017	33	1.523	5.18	25.999	4.208	4.131	0.176	0.340	25.990	3.997	78.99	7901	5.2516	5.335	-0.441	0.301	4.169	0.989
1200T200-54 ¹	0.0566	33	0.905	3.08	16.470	2.700	4.266	0.236	0.510	14.079	1.583	26.12	1354	0.9663	6.714	-0.730	0.487	4.358	0.972
1200T200-54 ¹	0.0566	50	0.905	3.08	16.470	2.700	4.266	0.236	0.510	12.961	1.351	33.77	1354	0.9663	6.714	-0.730	0.487	4.358	0.972
1200T200-68	0.0713	33	1.140	3.88	20.799	3.396	4.272	0.294	0.508	19.283	2.386	47.14	2712	1.9313	8.431	-0.725	0.483	4.363	0.972
1200T200-97	0.1017	33	1.625	5.53	29.816	4.826	4.284	0.410	0.502	29.808	4.303	85.02	7901	5.6022	11.945	-0.714	0.476	4.372	0.973
1200T200-118	0.1242	33	1.984	6.75	36.544	5.878	4.292	0.492	0.498	36.535	5.800	114.62	13193	10.2007	14.513	-0.706	0.471	4.378	0.974
1200T200-118	0.1242	50	1.984	6.75	36.544	5.878	4.292	0.492	0.498	36.535	5.800	114.62	13193	10.2007	14.513	-0.706	0.471	4.378	0.974
1400T125-54 ¹	0.0566	33	0.933	3.17	19.987	2.815	4.628	0.061	0.256	17.722	1.768	29.17	1160	0.9965	2.559	-0.299	0.209	4.645	0.996
1400T125-54 ¹	0.0566	50	0.933	3.17	19.987	2.815	4.628	0.061	0.256	16.406	1.518	37.95	1160	0.9965	2.559	-0.299	0.209	4.645	0.996
1400T125-68	0.0713	33	1.175	4.00	25.208	3.538	4.631	0.076	0.254	23.549	2.634	52.04	2322	1.9917	3.189	-0.296	0.206	4.648	0.996
1400T125-97	0.1017	33	1.676	5.70	36.043	5.021	4.638	0.104	0.249	35.773	4.481	88.55	6759	5.7776	4.444	-0.289	0.201	4.653	0.996
1400T125-118	0.1242	33	2.046	6.96	44.090	6.109	4.642	0.124	0.246	44.073	5.855	115.70	12342	10.5201	5.334	-0.284	0.197	4.657	0.996
1400T125-118	0.1242	50	2.046	6.96	44.090	6.109	4.642	0.124	0.246	43.751	5.455	163.32	12342	10.5201	5.334	-0.284	0.197	4.657	0.996
1400T150-54 ¹	0.0566	33	0.962	3.27	21.402	3.015	4.718	0.105	0.330	18.619	1.811	29.88	1160	1.0267	4.280	-0.410	0.283	4.747	0.993
1400T150-54 ¹	0.0566	50	0.962	3.27	21.402	3.015	4.718	0.105	0.330	17.150	1.548	38.71	1160	1.0267	4.280	-0.410	0.283	4.747	0.993
1400T150-68	0.0713	33	1.211	4.12	27.000	3.790	4.722	0.130	0.328	25.412	2.719	53.72	2322	2.0521	5.349	-0.407	0.280	4.751	0.993
1400T150-97	0.1017	33	1.727	5.87	38.626	5.381	4.730	0.180	0.323	38.338	4.835	95.54	6759	5.9529	7.503	-0.399	0.275	4.757	0.993
1400T150-118	0.1242	33	2.232	7.59	53.628	7.430	4.901	0.505	0.476	53.611	7.069	139.69	12342	11.4780	20.479	-0.644	0.434	4.966	0.983
1400T150-118	0.1242	50	2.232	7.59	53.628	7.430	4.901	0.505	0.476	53.450	6.361	190.46	12342	11.4780	20.479	-0.644	0.434	4.966	0.983
1600T125-54 ¹	0.0566	33	1.046	3.56	28.500	3.519	5.219	0.062	0.243	24.283	2.043	33.71	1014	1.1174	3.432	-0.272	0.191	5.232	0.997
1600T125-54 ¹	0.0566	50	1.046	3.56	28.500	3.519	5.219	0.062	0.243	22.345	1.749	43.72	1014	1.1174	3.432	-0.272	0.191	5.232	0.997
1600T125-68 ¹	0.0713	33	1.318	4.48	35.935	4.423	5.222	0.077	0.241	32.434	3.059	50.48	2029	2.2333	4.273	-0.268	0.189	5.234	0.997
1600T125-68 ¹	0.0713	50	1.318	4.48	35.935	4.423	5.222	0.077	0.241	31.000	2.653	66.32	2029	2.2333	4.273	-0.268	0.189	5.234	0.997
1600T125-97	0.1017	33	1.879	6.39	51.349	6.279	5.227	0.105	0.237	49.840	5.274	104.22	5906	6.4788	5.945	-0.262	0.184	5.239	0.997
1600T125-97	0.1017	50	1.879	6.39	51.349	6.279	5.227	0.105	0.237	47.826	4.826	144.50	5906	6.4788	5.945	-0.262	0.184	5.239	0.997
1600T125-118	0.1242	33	2.294	7.81	62.789	7.641	5.231	0.125	0.234	62.761	6.966	137.65	10781	11.7973	7.126	-0.257	0.181	5.243	0.998
1600T125-118	0.1242	50	2.294	7.81	62.789	7.641	5.231	0.125	0.234	60.926	6.422	192.27	10781	11.7973	7.126	-0.257	0.181	5.243	0.998

¹ Web-height to thickness ratio exceeds 200. Web stiffeners are required at all support points and concentrated loads.

See Section Properties Table Notes on page 5.

Section Properties

(T) Track Section Properties

Member	Design Thickness (in)	Fy (ksi)	Gross Properties						Effective Properties				Torsional Properties						
			Area (in ²)	Weight (lb/ft)	I _x (in ⁴)	S _x (in ³)	R _x (in)	I _y (in ⁴)	R _y (in)	I _x (in ⁴)	S _x (in ³)	M ₂ (in-k)	V _a (lb)	J x 1000 (in ⁶)	C _w (in ⁶)	X _o (in)	m (in)	R _o (in)	β
1600T150-54 ¹	0.0566	33	1.075	3.66	30.343	3.747	5.314	0.106	0.314	25.443	2.091	34.50	1014	1.1476	5.757	-0.374	0.260	5.336	0.995
1600T150-54 ²	0.0566	50	1.075	3.66	30.343	3.747	5.314	0.106	0.314	23.298	1.783	44.56	1014	1.1476	5.757	-0.374	0.260	5.336	0.995
1600T150-68 ¹	0.0713	33	1.354	4.60	38.268	4.710	5.317	0.132	0.312	34.941	3.154	52.03	2029	2.2938	7.188	-0.371	0.258	5.339	0.995
1600T150-68 ²	0.0713	50	1.354	4.60	38.268	4.710	5.317	0.132	0.312	32.535	2.719	67.97	2029	2.2938	7.188	-0.371	0.258	5.339	0.995
1600T150-97	0.1017	33	1.930	6.57	54.708	6.690	5.324	0.183	0.308	53.168	5.676	112.15	5906	6.6541	10.066	-0.363	0.253	5.345	0.995
1600T150-97	0.1017	50	1.930	6.57	54.708	6.690	5.324	0.183	0.308	51.376	5.051	151.22	5906	6.6541	10.066	-0.363	0.253	5.345	0.995
1600T150-118	0.1242	33	2.356	8.02	66.919	8.144	5.329	0.218	0.304	66.892	7.461	147.44	10781	12.1166	12.124	-0.358	0.249	5.350	0.996
1600T150-118	0.1242	50	2.356	8.02	66.919	8.144	5.329	0.218	0.304	65.020	6.913	206.98	10781	12.1166	12.124	-0.358	0.249	5.350	0.996
1600T200-54 ¹	0.0566	33	1.131	3.85	34.030	4.202	5.485	0.246	0.467	27.332	2.156	35.57	1014	1.2081	12.864	-0.612	0.417	5.538	0.988
1600T200-54 ²	0.0566	50	1.131	3.85	34.030	4.202	5.485	0.246	0.467	24.860	1.828	45.71	1014	1.2081	12.864	-0.612	0.417	5.538	0.988
1600T200-68 ¹	0.0713	33	1.425	4.85	42.933	5.284	5.489	0.307	0.464	37.905	3.280	54.11	2029	2.4146	16.123	-0.607	0.414	5.542	0.988
1600T200-68 ²	0.0713	50	1.425	4.85	42.933	5.284	5.489	0.307	0.464	35.012	2.808	70.19	2029	2.4146	16.123	-0.607	0.414	5.542	0.988
1600T200-97	0.1017	33	2.032	6.91	61.425	7.511	5.498	0.428	0.459	60.192	6.058	119.71	5906	7.0047	22.755	-0.598	0.408	5.550	0.988
1600T200-97	0.1017	50	2.032	6.91	61.425	7.511	5.498	0.428	0.459	57.306	5.303	158.77	5906	7.0047	22.755	-0.598	0.408	5.550	0.988
1600T200-118	0.1242	33	2.481	8.44	75.179	9.149	5.505	0.515	0.455	75.152	8.338	164.77	10781	12.7552	27.568	-0.592	0.403	5.556	0.989
1600T200-118	0.1242	50	2.481	8.44	75.179	9.149	5.505	0.515	0.455	73.606	7.441	222.78	10781	12.7552	27.568	-0.592	0.403	5.556	0.989

¹ Web-height to thickness ratio exceeds 200. Web stiffeners are required at all support points and concentrated loads.

See Section Properties Table Notes on page 5.

Section Properties

Web Depth-to-Thickness Ratios for Stud and Joist Members ^{2, 3}

Style	Web Depth (in)	18Mil 0.0188	27Mil 0.0283	30Mil 0.0312	33Mil 0.0346	43Mil 0.0451	54Mil 0.0566	68Mil 0.0713	97Mil 0.1017	118Mil 0.1242
162S	1.625	75	50	45	41	31	24	18	11	8
250S	2.500	122	81	73	66	50	39	30	20	15
350S	3.500	175	116	105	95	72	57	44	29	23
362S	3.625	182	120	109	98	75	59	46	31	24
400S	4.000	202 ¹	134	121	109	84	66	51	34	27
550S	5.500	-	187	169	153	117	92	72	49	39
600S	6.000	-	204 ¹	185	167	128	101	79	54	43
800S	8.000	-	-	249 ¹	225 ¹	172	136	107	74	59
1000S	10.000	-	-	-	-	207 ¹	172	135	93	76
1200S	12.000	-	-	-	-	-	207	163	113	92
1400S	14.000	-	-	-	-	-	242 ¹	191	133	108
1600S	16.000	-	-	-	-	-	-	219 ¹	152	124

¹ h/t exceeds 200

² h value used for h/t calculations is the flat width of the web. For Stud members, this is the out-to-out member size, minus twice the thickness, minus twice the inside bend radius.

³ h/t values exceeding 260 are marked with a dash (-)

Members with h/t between 200 and 260

Member	h/t	Member	h/t
400Sxxx18	202	1000Sxxx43	217
600Sxxx27	204	1200Sxxx54	207
800Sxxx30	249	1400Sxxx54	242
800Sxxx33	225	1600Sxxx68	219

Limiting Wall Heights - Non-Composite



Interior Non-Structural Non-Composite Table Notes

1. 5 psf, 7.5 psf, and 10 psf loads have NOT been reduced for strength or deflection checks. Full lateral load is applied.
2. Calculated properties are based on AISI S100-16/S2-20, North American Specification for Cold-Formed Steel Structural Members.
3. Limiting heights are based on continuous support of each flange over the full length of the stud.
4. Limiting heights are based on steel properties only (non-composite).
5. Web crippling checks are based on end-one flange loading condition using 1-inch end bearing.
6. Allowable Flexural Strength is based on lateral and torsional bracing at a maximum spacing of 4 feet on center.

Interior Nonstructural Non-Composite											
Stud Member	Spacing in, oc	Fy, ksi	5 psf			7.5 psf			10 psf		
			L/120	L/240	L/360	L/120	L/240	L/360	L/120	L/240	L/360
162S125-18	12	33	8'-4"	7'-8"	6'-8"	6'-10"	6'-8"	5'-10"	5'-11"	5'-11"	5'-4"
	16		7'-3"	6'-11"	6'-1"	5'-11"	5'-11"	5'-4"	5'-1"	5'-1"	4'-10"
	24		5'-11"	5'-11"	5'-4"	4'-10"	4'-10"	4'-8"	4'-2"	4'-2"	4'-2"
162S125-27	12	33	10'-11"	8'-11"	7'-10"	8'-11"	7'-10"	6'-10"	7'-9"	7'-1"	6'-3"
	16		9'-6"	8'-2"	7'-1"	7'-9"	7'-1"	6'-3"	6'-9"	6'-6"	5'-8"
	24		7'-9"	7'-1"	6'-3"	6'-4"	6'-3"	5'-5"	5'-6"	5'-6"	4'-11"
162S125-30	12	33	11'-8"	9'-3"	8'-1"	9'-7"	8'-1"	7'-1"	8'-4"	7'-4"	6'-5"
	16		10'-2"	8'-5"	7'-4"	8'-4"	7'-4"	6'-5"	7'-2"	6'-8"	5'-10"
	24		8'-4"	7'-4"	6'-5"	6'-9"	6'-5"	5'-7"	5'-10"	5'-10"	5'-1"
162S125-33	12	33	12'-0"	9'-6"	8'-4"	10'-4"	8'-4"	7'-3"	8'-11"	7'-7"	6'-7"
	16		10'-11"	8'-8"	7'-7"	8'-11"	7'-7"	6'-7"	7'-9"	6'-11"	6'-0"
	24		8'-11"	7'-7"	6'-7"	7'-4"	6'-7"	5'-9"	6'-4"	6'-0"	5'-3"
250S125-18	12	33	11'-1"	10'-7"	9'-3"	9'-1"	9'-1"	8'-1"	7'-10"	7'-10"	7'-4"
	16		9'-7"	9'-7"	8'-5"	7'-10"	7'-10"	7'-4"	6'-10"	6'-10"	6'-8"
	24		7'-10"	7'-10"	7'-4"	6'-5"	6'-5"	6'-5"	5'-7"	5'-7"	5'-7"
250S125-27	12	33	14'-7"	12'-5"	10'-10"	11'-10"	10'-10"	9'-5"	10'-3"	9'-10"	8'-7"
	16		12'-7"	11'-3"	9'-10"	10'-3"	9'-10"	8'-7"	8'-11"	8'-11"	7'-10"
	24		10'-3"	9'-10"	8'-7"	8'-5"	8'-5"	7'-6"	7'-3"	7'-3"	6'-10"
250S125-30	12	33	15'-6"	12'-9"	11'-2"	12'-8"	11'-2"	9'-9"	11'-0"	10'-2"	8'-10"
	16		13'-5"	11'-7"	10'-2"	11'-0"	10'-2"	8'-10"	9'-6"	9'-2"	8'-1"
	24		11'-0"	10'-2"	8'-10"	9'-0"	8'-10"	7'-9"	7'-9"	7'-9"	7'-0"
250S125-33	12	33	16'-8"	13'-2"	11'-6"	13'-7"	11'-6"	10'-1"	11'-9"	10'-6"	9'-2"
	16		14'-5"	12'-0"	10'-6"	11'-9"	10'-6"	9'-2"	10'-2"	9'-6"	8'-4"
	24		11'-9"	10'-6"	9'-2"	9'-7"	9'-2"	8'-0"	8'-4"	8'-4"	7'-3"
250S125-43	12	33	18'-1"	14'-4"	12'-7"	15'-10"	12'-7"	10'-11"	13'-8"	11'-5"	9'-11"
	16		16'-5"	13'-1"	11'-5"	13'-8"	11'-5"	9'-11"	11'-10"	10'-4"	9'-1"
	24		13'-8"	11'-5"	9'-11"	11'-2"	9'-11"	8'-8"	9'-8"	9'-1"	7'-11"
250S125-54	12	33	19'-4"	15'-5"	13'-5"	16'-11"	13'-5"	11'-9"	15'-4"	12'-2"	10'-8"
	16		17'-7"	14'-0"	12'-2"	15'-4"	12'-2"	10'-8"	13'-3"	11'-1"	9'-8"
	24		15'-4"	12'-2"	10'-8"	12'-6"	10'-8"	9'-4"	10'-10"	9'-8"	8'-6"
350S125-18	12	33	12'-11"	12'-11"	12'-1"	10'-7"	10'-7"	10'-7"	9'-2"	9'-2"	9'-2"
	16		11'-2"	11'-2"	11'-0"	9'-2"	9'-2"	9'-2"	7'-11"	7'-11"	7'-11"
	24		9'-2"	9'-2"	9'-2"	7'-5"	7'-5"	7'-5"	6'-6"	6'-6"	6'-6"
350S125-27	12	33	17'-4"	16'-1"	14'-0"	14'-2"	14'-0"	12'-3"	12'-3"	12'-3"	11'-1"
	16		15'-0"	14'-7"	12'-9"	12'-3"	12'-3"	11'-1"	10'-8"	10'-8"	10'-1"
	24		12'-3"	12'-3"	11'-1"	10'-0"	10'-0"	9'-9"	8'-8"	8'-8"	8'-8"
350S125-30	12	33	18'-8"	16'-7"	14'-6"	15'-3"	14'-6"	12'-8"	13'-2"	13'-2"	11'-6"
	16		16'-2"	15'-0"	13'-2"	13'-2"	13'-2"	11'-6"	11'-5"	11'-5"	10'-5"
	24		13'-2"	13'-2"	11'-6"	10'-9"	10'-9"	10'-0"	9'-4"	9'-4"	9'-1"
350S125-33	12	33	20'-1"	17'-1"	14'-11"	16'-5"	14'-11"	13'-1"	14'-3"	13'-7"	11'-10"
	16		17'-5"	15'-7"	13'-7"	14'-3"	13'-7"	11'-10"	12'-4"	12'-4"	10'-9"
	24		14'-3"	13'-7"	11'-10"	11'-7"	11'-7"	10'-4"	10'-1"	10'-1"	9'-5"
350S125-43	12	33	23'-6"	18'-8"	16'-3"	19'-3"	16'-3"	14'-3"	16'-8"	14'-10"	12'-11"
	16		20'-5"	16'-11"	14'-10"	16'-8"	14'-10"	12'-11"	14'-6"	13'-5"	11'-9"
	24		16'-8"	14'-10"	12'-11"	13'-8"	12'-11"	11'-4"	11'-10"	11'-9"	10'-3"
350S125-54	12	33	25'-2"	20'-0"	17'-5"	21'-7"	17'-5"	15'-3"	18'-8"	15'-10"	13'-10"
	16		22'-10"	18'-2"	15'-10"	18'-8"	15'-10"	13'-10"	16'-2"	14'-5"	12'-7"
	24		18'-8"	15'-10"	13'-10"	15'-3"	13'-10"	12'-1"	13'-2"	12'-7"	11'-0"

See Interior Non-Structural Non-Composite Table Notes

Limiting Wall Heights - Non-Composite



Interior Nonstructural Non-Composite

Stud Member	Spacing in, oc	Fy, ksi	5 psf			7.5 psf			10 psf		
			L/120	L/240	L/360	L/120	L/240	L/360	L/120	L/240	L/360
362S125-18	12	33	13'-2"	13'-2"	12'-5"	10'-9"	10'-9"	10'-9"	9'-4"	9'-4"	9'-4"
	16		11'-5"	11'-5"	11'-4"	9'-4"	9'-4"	9'-4"	8'-1"	8'-1"	8'-1"
	24		9'-4"	9'-4"	9'-4"	7'-7"	7'-7"	7'-7"	6'-7"	6'-7"	6'-7"
362S125-27	12	33	17'-9"	16'-6"	14'-5"	14'-6"	14'-5"	12'-7"	12'-6"	12'-6"	11'-5"
	16		15'-4"	15'-0"	13'-1"	12'-6"	12'-6"	11'-5"	10'-10"	10'-10"	10'-5"
	24		12'-6"	12'-6"	11'-5"	10'-3"	10'-3"	10'-0"	8'-10"	8'-10"	8'-10"
362S125-30	12	33	19'-1"	17'-0"	14'-10"	15'-7"	14'-10"	13'-0"	13'-6"	13'-6"	11'-10"
	16		16'-6"	15'-5"	13'-6"	13'-6"	13'-6"	11'-10"	11'-8"	11'-8"	10'-9"
	24		13'-6"	13'-6"	11'-10"	11'-0"	11'-0"	10'-4"	9'-6"	9'-6"	9'-4"
362S125-33	12	33	20'-7"	17'-7"	15'-4"	16'-9"	15'-4"	13'-5"	14'-6"	14'-0"	12'-2"
	16		17'-10"	16'-0"	14'-0"	14'-6"	14'-0"	12'-2"	12'-7"	12'-7"	11'-1"
	24		14'-6"	14'-0"	12'-2"	11'-10"	11'-10"	10'-8"	10'-3"	10'-3"	9'-8"
362S125-43	12	33	24'-2"	19'-2"	16'-9"	19'-8"	16'-9"	14'-8"	17'-1"	15'-3"	13'-3"
	16		20'-11"	17'-5"	15'-3"	17'-1"	15'-3"	13'-3"	14'-9"	13'-10"	12'-1"
	24		17'-1"	15'-3"	13'-3"	13'-11"	13'-3"	13'-3"	12'-1"	12'-1"	10'-7"
362S125-54	12	33	25'-11"	20'-7"	17'-11"	22'-1"	17'-11"	15'-8"	19'-1"	16'-4"	14'-3"
	16		23'-5"	18'-8"	16'-4"	19'-1"	16'-4"	14'-3"	16'-7"	14'-10"	12'-11"
	24		19'-1"	16'-4"	14'-3"	15'-7"	14'-3"	12'-5"	13'-6"	12'-11"	11'-4"
400S125-18 ¹	12	33	12'-9"	12'-9"	12'-9"	10'-5"	10'-5"	10'-5"	9'-0"	9'-0"	9'-0"
	16		11'-0"	11'-0"	11'-0"	9'-0"	9'-0"	9'-0"	7'-9"	7'-9"	7'-9"
	24		9'-0"	9'-0"	9'-0"	7'-4"	7'-4"	7'-4"	6'-4"	6'-4"	6'-4"
400S125-27	12	33	18'-9"	17'-10"	15'-7"	15'-4"	15'-4"	13'-7"	13'-3"	13'-3"	12'-4"
	16		16'-3"	16'-2"	14'-2"	13'-3"	13'-3"	12'-4"	11'-6"	11'-6"	11'-3"
	24		13'-3"	13'-3"	12'-4"	10'-10"	10'-10"	10'-9"	9'-5"	9'-5"	9'-5"
400S125-30	12	33	20'-2"	18'-5"	16'-1"	16'-6"	16'-1"	14'-0"	14'-3"	14'-3"	12'-9"
	16		17'-6"	16'-8"	14'-7"	14'-3"	14'-3"	12'-9"	12'-4"	12'-4"	11'-7"
	24		14'-3"	14'-3"	12'-9"	11'-8"	11'-8"	11'-2"	10'-1"	10'-1"	10'-1"
400S125-33	12	33	21'-10"	19'-0"	16'-7"	17'-10"	16'-7"	14'-6"	15'-5"	15'-1"	13'-2"
	16		18'-11"	17'-3"	15'-1"	15'-5"	15'-1"	13'-2"	13'-4"	13'-4"	12'-0"
	24		15'-5"	15'-1"	13'-2"	12'-7"	12'-7"	11'-6"	10'-11"	10'-11"	10'-6"
400S125-43	12	33	25'-8"	20'-9"	18'-1"	20'-11"	18'-1"	15'-10"	18'-2"	16'-5"	14'-4"
	16		22'-3"	18'-10"	16'-5"	18'-2"	16'-5"	14'-4"	14'-11"	14'-11"	13'-1"
	24		18'-2"	16'-5"	14'-4"	14'-10"	14'-4"	12'-7"	12'-10"	12'-10"	11'-5"
400S125-54	12	33	28'-0"	22'-3"	19'-5"	23'-7"	19'-5"	16'-11"	20'-5"	17'-8"	15'-5"
	16		25'-1"	20'-2"	17'-8"	20'-5"	17'-8"	15'-5"	17'-9"	16'-0"	14'-0"
	24		20'-5"	17'-8"	15'-5"	16'-8"	15'-5"	13'-5"	14'-6"	14'-0"	12'-3"
550S125-18 ²	12	33	15'-4"	15'-4"	15'-4"	12'-7"	12'-7"	12'-7"	10'-10"	10'-10"	10'-10"
	16		13'-4"	13'-4"	13'-4"	10'-10"	10'-10"	10'-10"	9'-5"	9'-5"	9'-5"
	24		10'-10"	10'-10"	10'-10"	8'-10"	8'-10"	8'-10"	7'-8"	7'-8"	7'-8"
550S125-27	12	33	22'-9"	22'-9"	19'-11"	18'-7"	18'-7"	17'-5"	16'-1"	16'-1"	15'-9"
	16		19'-9"	19'-9"	18'-1"	16'-1"	16'-1"	15'-9"	13'-11"	13'-11"	13'-11"
	24		16'-1"	16'-1"	15'-9"	13'-2"	13'-2"	13'-2"	11'-5"	11'-5"	11'-5"
550S125-30	12	33	24'-6"	23'-7"	20'-7"	20'-0"	20'-0"	18'-0"	17'-4"	17'-4"	16'-4"
	16		21'-2"	21'-2"	18'-9"	17'-4"	17'-4"	16'-4"	15'-0"	15'-0"	14'-10"
	24		17'-4"	17'-4"	16'-4"	14'-2"	14'-2"	14'-2"	12'-3"	12'-3"	12'-3"
550S125-33	12	33	26'-5"	24'-5"	21'-4"	21'-7"	21'-4"	18'-8"	18'-8"	18'-8"	16'-11"
	16		22'-10"	22'-3"	19'-5"	18'-8"	18'-8"	16'-11"	16'-2"	16'-2"	15'-5"
	24		18'-8"	18'-8"	16'-11"	15'-3"	15'-3"	14'-10"	13'-2"	13'-2"	13'-2"
550S125-30	12	33	24'-6"	23'-7"	20'-7"	20'-0"	20'-0"	18'-0"	17'-4"	17'-4"	16'-4"
	16		21'-2"	21'-2"	18'-9"	17'-4"	17'-4"	16'-4"	15'-0"	15'-0"	14'-10"
	24		17'-4"	17'-4"	16'-4"	14'-2"	14'-2"	14'-2"	12'-3"	12'-3"	12'-3"
550S125-33	12	33	26'-5"	24'-5"	21'-4"	21'-7"	21'-4"	18'-8"	18'-8"	18'-8"	16'-11"
	16		22'-10"	22'-3"	19'-5"	18'-8"	18'-8"	16'-11"	16'-2"	16'-2"	15'-5"
	24		18'-8"	18'-8"	16'-11"	15'-3"	15'-3"	14'-10"	13'-2"	13'-2"	13'-2"
550S125-43	12	33	32'-1"	26'-9"	23'-4"	26'-2"	23'-4"	20'-5"	22'-8"	21'-3"	18'-7"
	16		27'-9"	24'-4"	21'-3"	22'-8"	21'-3"	18'-7"	19'-3"	19'-3"	16'-10"
	24		22'-8"	21'-3"	18'-7"	18'-6"	18'-6"	16'-2"	16'-0"	16'-0"	14'-9"
550S125-54	12	33	36'-0"	28'-9"	25'-1"	29'-5"	25'-1"	21'-11"	25'-5"	22'-9"	19'-11"
	16		31'-2"	26'-1"	22'-9"	25'-5"	22'-9"	19'-11"	22'-1"	20'-8"	18'-1"
	24		25'-5"	22'-9"	19'-11"	20'-9"	19'-11"	17'-5"	18'-0"	18'-0"	15'-10"

See Interior Nonstructural Non-Composite Table Notes

Limiting Wall Heights - Non-Composite



Interior Nonstructural Non-Composite											
Stud Member	Spacing in, oc	Fy, ksi	5 psf			7.5 psf			10 psf		
			L/120	L/240	L/360	L/120	L/240	L/360	L/120	L/240	L/360
600S125-18 ²	12	33	16'-0"	16'-0"	16'-0"	13'-1"	13'-1"	13'-1"	11'-4"	11'-4"	11'-4"
	16		13'-10"	13'-10"	13'-10"	11'-4"	11'-4"	11'-4"	9'-10"	9'-10"	9'-10"
	24		11'-4"	11'-4"	11'-4"	9'-3"	9'-3"	9'-3"	8'-0"	8'-0"	8'-0"
600S125-27 ¹	12	33	21'-9"	21'-9"	21'-3"	17'-9"	17'-9"	17'-9"	15'-4"	15'-4"	15'-4"
	16		18'-10"	18'-10"	18'-10"	15'-4"	15'-4"	15'-4"	13'-4"	13'-4"	13'-4"
	24		15'-4"	15'-4"	15'-4"	12'-7"	12'-7"	12'-7"	10'-10"	10'-10"	10'-10"
600S125-30	12	33	25'-7"	25'-3"	22'-0"	20'-11"	20'-11"	19'-3"	18'-1"	18'-1"	17'-6"
	16		22'-2"	22'-2"	20'-0"	18'-1"	18'-1"	17'-6"	15'-8"	15'-8"	15'-8"
	24		18'-1"	18'-1"	17'-6"	14'-9"	14'-9"	14'-9"	12'-9"	12'-9"	12'-9"
600S125-33	12	33	27'-8"	26'-2"	22'-10"	22'-7"	22'-7"	20'-0"	19'-7"	19'-7"	18'-2"
	16		23'-11"	23'-9"	20'-9"	19'-7"	19'-7"	18'-2"	16'-11"	16'-11"	16'-6"
	24		19'-7"	19'-7"	18'-2"	15'-11"	15'-11"	15'-10"	13'-10"	13'-10"	13'-10"
600S125-43	12	33	33'-8"	28'-9"	25'-1"	27'-6"	25'-1"	21'-11"	23'-10"	22'-10"	19'-11"
	16		29'-2"	26'-1"	22'-10"	23'-10"	22'-10"	19'-11"	20'-7"	20'-7"	18'-1"
	24		23'-10"	22'-10"	19'-11"	19'-5"	19'-5"	17'-5"	16'-10"	16'-10"	15'-10"
600S125-54	12	33	38'-3"	30'-10"	26'-11"	31'-2"	26'-11"	23'-6"	27'-0"	24'-6"	21'-5"
	16		33'-1"	28'-0"	24'-6"	27'-0"	24'-6"	21'-5"	23'-5"	22'-3"	19'-5"
	24		27'-0"	24'-6"	21'-5"	22'-1"	21'-5"	18'-8"	19'-1"	19'-1"	17'-0"
800S125-33 ¹	12	33	28'-11"	28'-11"	28'-7"	23'-7"	23'-7"	23'-7"	20'-5"	20'-5"	20'-5"
	16		25'-1"	25'-1"	25'-1"	20'-5"	20'-5"	20'-5"	17'-9"	17'-9"	17'-9"
	24		20'-5"	20'-5"	20'-5"	16'-8"	16'-8"	16'-8"	14'-6"	14'-6"	14'-6"
800S125-43	12	33	38'-11"	36'-2"	31'-7"	31'-9"	31'-7"	27'-7"	27'-6"	27'-6"	25'-1"
	16		33'-9"	32'-10"	28'-8"	27'-6"	27'-6"	25'-1"	23'-10"	23'-10"	22'-9"
	24		27'-6"	27'-6"	25'-1"	22'-6"	22'-6"	21'-11"	19'-6"	19'-6"	19'-6"
800S125-54	12	33	45'-6"	39'-2"	34'-2"	37'-2"	34'-2"	29'-10"	32'-2"	31'-1"	27'-2"
	16		39'-5"	35'-7"	31'-1"	32'-2"	31'-1"	27'-2"	27'-10"	27'-10"	24'-8"
	24		32'-2"	31'-1"	27'-2"	26'-3"	26'-3"	23'-8"	22'-9"	22'-9"	21'-6"

See Interior Nonstructural Non-Composite Table Notes

Interior Nonstructural Composite Table Notes

1. Allowable composite limiting heights are calculated using ICC-ES AC86-2012.
2. Minimum safety factor for strength = 1.508 for 5 to 10 psf, and 2.327 for 15 psf.
3. The gypsum board must be applied vertically full height to each stud flange and installed using minimum No. 6 Type S Drywall screws spaced a maximum of 12 in. on-center for studs at 24-in spacing, and 16 in. on-center for studs at 16 and 12 in. spacing. Gypsum board (one or two layers) must be attached to each top and bottom track flange using minimum No. 6 drywall screws at a maximum 16 in. on-center.
4. No fasteners are required for attaching the stud to the track, except as required by ASTM C754, subsection 5.3.2.1.
5. Stud end bearing must be a minimum of 1 inch.
6. Minimum material yield strength equals 33 ksi.
7. 'f' adjacent to the height value indicates that flexural stress controls the allowable wall height.

Interior Nonstructural Composite														
Stud Member	Spacing (in. o.c.)	Fy, ksi	5 psf			7.5 psf			10 psf			15 psf		
			L/120	L/240	L/360	L/120	L/240	L/360	L/120	L/240	L/360	L/120	L/240	L/360
162S125-18	12	33	13'-0" f	11'-1"	9'-10"	10'-8" f	9'-8"	8'-7"	9'-3" f	8'-9"	7'-9"	---	---	---
	16		11'-3" f	10'-1"	8'-11"	9'-3" f	8'-9"	7'-9"	8'-0" f	7'-11"	---	---	---	---
	24		9'-3" f	8'-9"	7'-9"	---	---	---	---	---	---	---	---	---
162S125-27	12	33	14'-9"	11'-8"	10'-2"	12'-10"	10'-2"	8'-7"	11'-8"	9'-1"	7'-6"	8'-6"	---	---
	16		13'-4"	10'-7"	9'-1"	11'-8"	9'-1"	7'-6"	10'-7"	7'-11"	---	---	---	---
	24		11'-8"	9'-1"	---	10'-2"	---	---	9'-1"	---	---	---	---	---
162S125-30	12	33	14'-11"	11'-10"	10'-4"	13'-1"	10'-4"	8'-11"	11'-10"	9'-4"	7'-11"	9'-10" f	7'-11"	---
	16		13'-7"	10'-9"	9'-4"	11'-10"	9'-4"	7'-11"	10'-9"	8'-3"	---	8'-6"	---	---
	24		11'-10"	9'-4"	7'-11"	10'-4"	7'-11"	---	9'-4"	---	---	---	---	---
250S125-18	12	33	16'-4" f	14'-2"	12'-9"	13'-4" f	12'-4"	11'-2"	11'-7" f	11'-3"	10'-2"	---	---	---
	16		14'-2" f	12'-10"	11'-7"	11'-7" f	11'-3"	10'-2"	10'-0" f	10'-0" f	9'-0"	---	---	---
	24		11'-7"	11'-3"	10'-2"	9'-5" f	9'-5" f	8'-6"	8'-2" f	8'-2" f	---	---	---	---
250S125-27	12	33	18'-7"	15'-4"	13'-9"	16'-3"	13'-5"	11'-12"	14'-9"	12'-2"	10'-11"	10'-6" f	10'-6" f	9'-4"
	16		16'-10"	13'-11"	12'-5"	14'-9"	12'-2"	10'-11"	13'-5"	11'-1"	9'-11"	9'-1" f	9'-1" f	8'-1"
	24		14'-9"	12'-2"	10'-11"	12'-11"	10'-8"	9'-4"	11'-3" f	9'-8"	8'-1"	---	---	---
250S125-30	12	33	18'-5"	15'-10"	14'-1"	16'-1"	13'-10"	12'-4"	14'-7"	12'-7"	11'-2"	11'-0" f	11'-0" f	9'-9"
	16		16'-9"	14'-5"	12'-10"	14'-7"	12'-7"	11'-2"	13'-3"	11'-5"	10'-2"	9'-6" f	9'-6" f	8'-8"
	24		14'-7"	12'-7"	11'-2"	12'-9"	11'-0"	9'-9"	11'-7"	10'-0"	8'-8"	7'-9" f	7'-9" f	---
250S125-33	12	33	19'-8"	15'-8"	13'-8"	17'-3"	13'-8"	11'-11"	15'-8"	12'-5"	10'-10"	11'-5" f	10'-10"	9'-5"
	16		17'-11"	14'-3"	12'-5"	15'-8"	12'-5"	10'-10"	14'-3"	11'-3"	9'-10"	9'-11" f	9'-10"	8'-4"
	24		15'-8"	12'-5"	10'-10"	13'-8"	10'-10"	9'-5"	12'-4" f	9'-10"	8'-4"	8'-1" f	8'-1" f	---
350S125-18	12	33	18'-3" f	16'-4"	14'-4"	14'-11" f	14'-4"	12'-6"	12'-11" f	12'-11" f	11'-4"	8'-5" f	8'-5" f	8'-5" f
	16		15'-10" f	14'-10"	13'-0"	12'-11" f	12'-11" f	11'-4"	11'-2" f	11'-2" f	10'-3"	---	---	---
	24		12'-11" f	12'-11" f	11'-4"	10'-7" f	10'-7" f	9'-11"	9'-2" f	9'-2" f	9'-0"	---	---	---
350S125-27	12	33	22'-6"	17'-11"	15'-7"	19'-8"	15'-7"	13'-8"	17'-11"	14'-2"	12'-4"	12'-0" f	12'-0" f	10'-8"
	16		20'-6"	16'-3"	14'-2"	17'-11"	14'-2"	12'-4"	15'-10" f	12'-11"	11'-2"	10'-5" f	10'-5" f	---
	24		17'-11"	14'-2"	12'-4"	14'-11" f	12'-4"	10'-8"	12'-11" f	11'-2"	---	---	---	---
350S125-30	12	33	22'-6"	17'-11"	15'-8"	19'-8"	15'-8"	13'-8"	17'-11"	14'-2"	12'-4"	12'-10" f	12'-4"	10'-7"
	16		20'-6"	16'-3"	14'-2"	17'-11"	14'-2"	12'-4"	16'-3"	12'-11"	11'-1"	11'-1" f	11'-1" f	---
	24		17'-11"	14'-2"	12'-4"	15'-8"	12'-4"	10'-7"	13'-9" f	11'-1"	---	---	---	---
350S125-33	12	33	23'-0"	18'-3"	15'-11"	20'-1"	15'-11"	13'-11"	18'-3"	14'-6"	12'-8"	13'-3" f	12'-8"	10'-10"
	16		20'-11"	16'-7"	14'-6"	18'-3"	14'-6"	12'-8"	16'-7"	13'-2"	11'-4"	11'-6" f	11'-4"	9'-8"
	24		18'-3"	14'-6"	12'-8"	15'-11"	12'-8"	10'-10"	14'-4" f	11'-4"	9'-8"	---	---	---
362S125-18	12	33	18'-8" f	16'-8"	14'-7"	15'-3" f	14'-7"	12'-9"	13'-2" f	13'-2" f	11'-6"	8'-8" f	8'-8" f	8'-8" f
	16		16'-2" f	15'-2"	13'-3"	13'-2" f	13'-2" f	11'-6"	11'-5" f	11'-5" f	10'-4"	---	---	---
	24		13'-2" f	13'-2" f	11'-6"	10'-9" f	10'-9" f	9'-11"	9'-4" f	9'-4" f	8'-11"	---	---	---
362S125-27	12	33	22'-10"	18'-2"	15'-10"	19'-11"	15'-10"	13'-10"	18'-2"	14'-5"	12'-6"	12'-0" f	12'-0" f	10'-7"
	16		20'-9"	16'-6"	14'-5"	18'-2"	14'-5"	12'-6"	15'-9" f	13'-1"	12'-2"	10'-5" f	10'-5" f	---
	24		18'-2"	14'-5"	12'-6"	14'-11" f	12'-6"	10'-7"	12'-11" f	11'-1"	---	---	---	---
362S125-30	12	33	22'-10"	18'-3"	16'-4"	19'-11"	16'-0"	14'-3"	18'-1"	14'-6"	12'-11"	12'-8" f	12'-8" f	10'-11"
	16		20'-8"	16'-7"	14'-10"	18'-1"	14'-6"	12'-11"	16'-5"	13'-2"	11'-6"	11'-0" f	11'-0" f	---
	24		18'-1"	14'-6"	12'-11"	15'-9" f	12'-8"	10'-11"	13'-8" f	11'-4"	---	---	---	---
362S125-33	12	33	24'-2"	19'-2"	16'-9"	21'-1"	16'-9"	14'-8"	19'-2"	15'-3"	13'-4"	13'-5" f	13'-4"	11'-4"
	16		21'-11"	17'-5"	15'-3"	19'-2"	15'-3"	13'-4"	17'-5"	13'-10"	11'-11"	11'-8" f	11'-8" f	10'-1"
	24		19'-2"	15'-3"	13'-4"	16'-8" f	13'-4"	11'-4"	14'-5" f	11'-11"	10'-1"	---	---	---

See Interior Nonstructural Composite Table Notes

Limiting Wall Heights - Composite

Interior Nonstructural Composite														
Stud Member	Spacing (in, o.c.)	F _y , ksi	5 psf			7.5 psf			10 psf			15 psf		
			L/120	L/240	L/360	L/120	L/240	L/360	L/120	L/240	L/360	L/120	L/240	L/360
400S125-18	12	33	19'-3" f	17'-6"	15'-4"	15'-9" f	15'-4"	13'-4"	13'-8" f	13'-8" f	12'-2"	8'-11" f	8'-11" f	8'-11" f
	16		16'-8" f	15'-11"	13'-11"	13'-8" f	13'-8" f	12'-2"	11'-10" f	11'-10" f	11'-0"	7'-9" f	7'-9" f	7'-9" f
	24		13'-8" f	13'-8" f	12'-2"	11'-2" f	11'-2" f	10'-7"	9'-8" f	9'-8" f	9'-7"	---	---	---
400S125-27	12	33	24'-6"	19'-5"	17'-0"	21'-5"	17'-0"	14'-10"	18'-8" f	15'-5"	13'-6"	12'-3" f	12'-3" f	11'-8"
	16		22'-3"	17'-8"	15'-5"	18'-8" f	15'-5"	13'-6"	16'-2" f	14'-0"	12'-2"	10'-8" f	10'-8" f	10'-6"
	24		18'-8" f	15'-5"	13'-6"	15'-3" f	13'-6"	11'-8"	13'-3" f	12'-2"	10'-6"	---	---	---
400S125-30	12	33	24'-6"	19'-5"	17'-0"	21'-5"	17'-0"	14'-10"	19'-5"	15'-5"	13'-6"	13'-2" f	13'-2" f	11'-7"
	16		22'-3"	17'-8"	15'-5"	19'-5"	15'-5"	13'-6"	17'-5" f	14'-0"	12'-2"	11'-5" f	11'-5" f	10'-4"
	24		19'-5"	15'-5"	13'-6"	16'-5" f	13'-6"	11'-7"	14'-2" f	12'-2"	10'-4"	---	---	---
400S125-33	12	33	25'-3"	20'-1"	17'-6"	22'-1"	17'-6"	20'-1"	20'-1"	15'-11"	13'-11"	13'-11" f	13'-11"	12'-0"
	16		22'-11"	18'-3"	15'-11"	20'-1"	15'-11"	18'-3"	18'-3"	14'-5"	12'-7"	12'-1" f	12'-1" f	10'-9"
	24		20'-1"	15'-11"	13'-11"	17'-3" f	13'-11"	15'-0" f	15'-0" f	12'-7"	10'-9"	9'-10" f	9'-10" f	---
550S125-18	12	33	21'-11" f	21'-11" f	21'-10"	17'-10" f	17'-10" f	17'-0"	15'-6" f	15'-6" f	15'-6" f	---	---	---
	16		14'-6" f	19'-0" f	17'-9"	15'-6" f	15'-6" f	15'-6" f	13'-5" f	13'-5" f	13'-5" f	---	---	---
	24		11'-10" f	15'-6" f	15'-6" f	12'-8" f	12'-8" f	12'-8" f	---	---	---	---	---	---
550S125-27	12	33	30'-4"	24'-8"	21'-10"	26'-9" f	21'-10"	19'-4"	23'-2" f	20'-0"	17'-8"	---	---	---
	16		27'-11"	22'-8"	20'-0"	23'-2" f	20'-0"	17'-8"	20'-1" f	18'-4"	16'-0"	---	---	---
	24		23'-2" f	20'-0"	17'-8"	18'-11" f	17'-8"	15'-5"	16'-5" f	16'-0"	---	---	---	---
550S125-30	12	33	30'-5"	24'-10"	22'-0"	27'-0"	22'-0"	19'-5"	24'-10" f	20'-2"	17'-10"	16'-4" f	16'-4" f	15'-7" f
	16		28'-0"	22'-9"	20'-2"	24'-10" f	20'-2"	17'-10"	21'-7" f	18'-6"	16'-2"	---	---	---
	24		24'-10"	20'-2"	17'-10"	20'-4" f	17'-10"	15'-7"	17'-7" f	16'-2"	---	---	---	---
600S125-18	12	33	23'-2" f	22'-9"	19'-11"	18'-11" f	18'-11"	17'-5"	16'-4" f	16'-4" f	15'-10"	---	---	---
	16		20'-1" f	20'-1" f	18'-1"	16'-4" f	16'-4"	15'-10"	14'-2" f	14'-2" f	14'-2"	---	---	---
	24		16'-4" f	16'-4" f	15'-10"	13'-4" f	13'-4"	13'-4" f	---	---	---	---	---	---
600S125-27	12	33	32'-5" f	26'-9"	23'-5"	26'-5" f	23'-5"	20'-5"	22'-11" f	21'-3"	16'-10"	---	---	---
	16		28'-1" f	24'-4"	21'-3"	22'-11" f	21'-3"	18'-7"	19'-10" f	19'-4"	14'-7"	---	---	---
	24		22'-11" f	21'-3"	18'-7"	18'-8" f	18'-7"	16'-1"	16'-2" f	16'-2" f	---	---	---	---
600S125-30	12	33	34'-2"	27'-1"	23'-8"	28'-11" f	23'-8"	20'-8"	25'-0" f	21'-6"	18'-9"	16'-5" f	16'-5" f	16'-5" f
	16		30'-8" f	24'-7"	21'-6"	25'-0" f	21'-6"	18'-9"	21'-8" f	19'-6"	17'-1"	---	---	---
	24		25'-0" f	21'-6"	18'-9"	20'-5" f	18'-9"	16'-5"	17'-8" f	17'-1"	---	---	---	---
600S125-33	12	33	35'-4"	28'-1"	24'-6"	30'-10"	24'-6"	21'-5"	27'-10" f	22'-3"	19'-5"	18'-4" f	18'-4" f	16'-11"
	16		32'-1" f	25'-6"	22'-3"	27'-10" f	22'-3"	19'-5"	24'-1" f	20'-3"	17'-8"	15'-10" f	15'-10" f	---
	24		27'-10" f	22'-3"	19'-5"	22'-9" f	19'-5"	16'-11"	19'-8" f	17'-8"	---	---	---	---

See Interior Nonstructural Composite Table Notes

Wall Height Table Notes

1. Lateral loads have not been modified for strength checks: full loads are applied.
2. Calculated properties are based on AISI S100-16/S2-20, "North American Specification for Cold-Formed Steel Structural Members."
3. For 15 psf or higher wind pressure, read the note below.

IBC 2021/ASCE 7-16: Due to the change in the model building codes, design wind pressures determined using IBC 2021/ASCE 7-16 are strength level loads (LRFD) in comparison to those determined in earlier IBC codes which were service level loads (ASD). The load/span tables that follow are based on service level (ASD) wind loads. Therefore, to properly use the load/span tables in this catalog, multiply the IBC 2021/ASCE 7-16 design wind pressures by 0.6 (Reference section 2.4 ASCE 7-16) prior to entering the load/span tables.

- Example:

 - * ASCE 7-16 Calculated Design Wind Pressure = 25 psf (Strength level loads, LRFD)
 - * Convert to service level loads (ASD) = 25 psf x 0.6 = 15 psf
 - * Use 15 psf as the Pressure Value used in this Table to determine the member span

Any Other Building Code: The load/span tables that follow are based on service level (ASD) wind loads. If the wind load being used meets this criterion, it does not need to be modified prior to using the tables.
4. 15 psf and higher wind pressures have been multiplied by 0.7 x ASD loads, or 0.42 x Ultimate loads for deflection determination, in accordance with footnote "f" of IBC Table 1604.3. The 5 psf live load has not been reduced for deflection checks.
5. Limiting heights are based on continuous support of each flange over the full length of the stud.
6. Limiting heights are based on steel properties alone (non-composite).
7. Web crippling checks are based on end-one flange loading condition using 1-inch end bearing.
8. End shear and web crippling capacity have not been reduced for punchouts. Punchouts are assumed to be at least 10-inches to centered no less than 12 inches from the end of members, in accordance with AISI S240-20, Section A5.9.
9. Where limiting heights are followed by "e", web stiffeners are required.

Limiting Wall Heights - Curtain Wall/Single Span



Stud Member	Spacing, in. oc	Fv, ksi	15 psf			20 psf			25 psf			30 psf			35 psf			40 psf		
			16	L/360	L/600	L/240	L/360	L/600	L/240	L/360	L/600	L/240	L/360	L/600	L/240	L/360	L/600	L/240	L/360	L/600
			362S250-97	12	50	23'-4"	20'-4"	17'-2"	21'-2"	18'-6"	15'-7"	19'-8"	17'-2"	14'-6"	18'-6"	16'-2"	13'-8"	17'-7"	15'-4"	12'-11"
16	21'-2"	18'-6"		15'-7"		19'-3"	16'-10"	14'-2"	17'-10"	15'-7"	13'-2"	16'-10"	14'-8"	12'-5"	16'-0"	13'-11"	11'-9"	15'-3"	13'-4"	11'-3"
24	18'-6"	16'-2"		13'-8"		16'-10"	14'-8"	12'-5"	15'-7"	13'-8"	11'-6"	14'-8"	12'-10"	10'-10"	13'-11"	12'-2"	10'-3"	13'-4"	11'-8"	9'-10"

See Curtain Wall Limiting Heights Table Notes on page 22.

Limiting Wall Heights - Curtain Wall/Single Span



Stud Member	Spacing, in, oc	Fy, ksi	15 psf			20 psf			25 psf			30 psf			35 psf			40 psf		
			L/240	L/360	L/600	L/240	L/360	L/600	L/240	L/360	L/600	L/240	L/360	L/600	L/240	L/360	L/600	L/240	L/360	L/600
800S300-97	12	50	44'-7"	38'-11"	32'-10"	40'-6"	35'-5"	29'-10"	37'-7"	32'-10"	27'-8"	35'-5"	30'-11"	26'-1"	33'-7"	29'-4"	24'-9"	32'-2"	28'-1"	23'-8"
	16	50	40'-6"	35'-5"	29'-10"	36'-10"	32'-2"	27'-1"	34'-2"	29'-10"	25'-2"	32'-2"	28'-1"	23'-8"	30'-6"	26'-8"	22'-6"	29'-2"	25'-6"	21'-6"
	24	50	35'-5"	30'-11"	26'-1"	32'-2"	28'-1"	23'-8"	29'-10"	26'-1"	22'-0"	28'-1"	24'-6"	20'-8"	26'-8"	23'-4"	19'-8"	25'-6"	22'-3"	18'-10"
800S300-118	12	50	47'-6"	41'-6"	35'-0"	43'-2"	37'-8"	31'-10"	40'-1"	35'-0"	29'-6"	37'-8"	32'-11"	27'-9"	35'-10"	31'-3"	26'-5"	34'-3"	29'-11"	25'-3"
	16	50	43'-2"	37'-8"	31'-10"	39'-3"	34'-3"	28'-11"	36'-5"	31'-10"	26'-10"	34'-3"	29'-11"	25'-3"	32'-7"	28'-5"	24'-0"	31'-2"	27'-2"	22'-11"
	24	50	37'-8"	32'-11"	27'-9"	34'-3"	29'-11"	25'-3"	31'-10"	27'-9"	23'-5"	29'-11"	26'-2"	22'-1"	28'-5"	24'-10"	20'-11"	27'-2"	23'-9"	20'-0"
800S350-54	12	33	39'-0"	34'-1"	28'-9"	35'-5"	30'-11"	26'-1"	32'-11"	28'-9"	24'-3"	30'-5"	27'-0"	22'-10"	28'-2"	25'-8"	21'-8"	26'-4"	24'-7"	20'-9"
	16	33	35'-5"	30'-11"	26'-1"	32'-2"	28'-1"	23'-9"	28'-11"	26'-1"	22'-0"	26'-4"	24'-7"	20'-9"	24'-5"	23'-4"	19'-8"	22'-10"	22'-4"	18'-10"
	24	33	30'-5"	27'-0"	22'-10"	26'-4"	24'-7"	20'-9"	23'-7"	22'-10"	19'-3"	21'-6"	21'-5"	18'-1"	19'-11"	19'-11"	17'-2"	18'-8"	18'-8"	16'-5"
800S350-54	12	50	38'-7"	33'-9"	28'-5"	35'-1"	30'-8"	25'-10"	32'-7"	28'-5"	24'-0"	30'-8"	26'-9"	22'-7"	29'-1"	25'-5"	21'-5"	27'-10"	24'-4"	20'-6"
	16	50	35'-1"	30'-8"	25'-10"	31'-10"	27'-10"	23'-6"	29'-7"	25'-10"	21'-10"	27'-10"	24'-4"	20'-6"	26'-5"	23'-1"	19'-6"	25'-4"	22'-1"	18'-8"
	24	50	30'-8"	26'-9"	22'-7"	27'-10"	24'-4"	20'-6"	25'-10"	22'-7"	19'-1"	24'-4"	21'-3"	17'-11"	22'-10"	20'-2"	17'-0"	21'-4"	19'-4"	16'-3"
800S350-68	12	50	42'-1"	36'-9"	31'-0"	38'-3"	33'-5"	28'-2"	35'-6"	31'-0"	26'-2"	33'-5"	29'-2"	24'-7"	31'-9"	27'-9"	23'-4"	30'-4"	26'-6"	22'-4"
	16	50	38'-3"	33'-5"	28'-2"	34'-9"	30'-4"	25'-7"	32'-3"	28'-2"	23'-9"	30'-4"	26'-6"	22'-4"	28'-10"	25'-2"	21'-3"	27'-7"	24'-1"	20'-4"
	24	50	33'-5"	29'-2"	24'-7"	30'-4"	26'-6"	22'-4"	28'-2"	24'-7"	20'-9"	26'-6"	23'-2"	19'-6"	25'-2"	22'-0"	18'-7"	24'-1"	21'-0"	17'-9"
800S350-97	12	50	47'-1"	41'-2"	34'-8"	42'-10"	37'-5"	31'-6"	39'-9"	34'-8"	29'-3"	37'-5"	32'-8"	27'-7"	35'-6"	31'-0"	26'-2"	34'-0"	29'-8"	25'-0"
	16	50	42'-10"	37'-5"	31'-6"	38'-11"	34'-0"	28'-8"	36'-1"	31'-6"	26'-7"	34'-0"	29'-8"	25'-0"	32'-3"	28'-2"	23'-9"	30'-10"	27'-0"	22'-9"
	24	50	37'-5"	32'-8"	27'-7"	34'-0"	29'-8"	25'-0"	31'-6"	27'-7"	23'-3"	29'-8"	25'-11"	21'-10"	28'-2"	24'-7"	20'-9"	27'-0"	23'-7"	19'-10"
800S350-118	12	50	50'-0"	43'-8"	36'-10"	45'-5"	39'-8"	33'-6"	42'-2"	36'-10"	31'-1"	39'-8"	34'-8"	29'-3"	37'-9"	32'-11"	27'-9"	36'-1"	31'-6"	26'-7"
	16	50	45'-5"	39'-8"	33'-6"	41'-4"	36'-1"	30'-5"	38'-4"	33'-6"	28'-3"	36'-1"	31'-6"	26'-7"	34'-3"	29'-11"	25'-3"	32'-9"	28'-8"	24'-2"
	24	50	39'-8"	34'-8"	29'-3"	36'-1"	31'-6"	26'-7"	33'-6"	29'-3"	24'-8"	31'-6"	27'-6"	23'-3"	29'-11"	26'-2"	22'-1"	28'-8"	25'-0"	21'-1"

See Curtain Wall Limiting Heights Table Notes on page 22.

Combined Axial and Lateral Load Table Notes

1. Allowable axial loads listed in kips (1 kip = 1000 pounds).
2. Allowable axial loads determined in accordance with AISI S240-20, assuming that all axial loads pass through the geometric center of the section
3. Listed lateral pressures and axial loads have not been modified for load combinations or allowable stress increases based on wind/earthquake or multiple transient loads.
4. Allowable axial loads based on lateral and torsional bracing at a maximum spacing of 4 feet on center.
5. The 5 psf live load has not been reduced for deflection checks. For 15 psf or higher wind pressure, read the note below.

IBC 2021/ASCE 7-16: Due to the change in the model building codes, design wind pressures determined using IBC 2021/ASCE 7-16 are strength level loads (LRFD) in comparison to those determined in some earlier IBC codes which were service level loads (ASD). The load/span tables that follow are based on service level (ASD) wind loads. Therefore, to properly use the load/span tables in this catalog, multiply the IBC 2021/ASCE 7-16 design wind pressures by 0.6 (Reference section 2.4 ASCE 7-16) prior to entering the load/span tables.

- Example:

* ASCE 7-16 Calculated Design Wind Pressure = 25 psf (Strength level loads, LRFD)

* Convert to service level loads (ASD) = 25 psf x 0.6 = 15 psf

* Use 15 psf as the Pressure Value used in this Table to determine the member span

Any Other Building Code: The load/span tables that follow are based on service level (ASD) wind loads. If the wind load being used meets this criterion, it does not need to be modified prior to using the tables.

6. Studs are assumed to be adequately braced at a maximum spacing of L_u to develop full allowable moment, M_u .
7. End supports have not been checked for web crippling. Refer to web crippling capacity tables.
8. All tables are based on simple (single) span.
9. Cells marked with an " * " have $h/t > 200$, thus require bearing stiffeners. Cells are left blank when $h/t > 260$.
10. Cells marked with an a, b, c, d, e or f meets L/720, L/600, L/480, L/360, L/240, or L/120 respectively. Blank cells do not meet L/120.
11. Stud distortional buckling moment based on assumed $K\phi = 0$
12. Moment of inertia for deflection is optimized based on the maximum moment at service loads for the listed spans; therefore span values may be greater than spans based on effective moment of inertia listed in section property tables

Combined Axial and Lateral Load Tables



5 psf Lateral Load (Interior Walls Only)

Wall Height (ft)	Spacing (in.) o.c.	362S137-(mils)				362S162-(mils)					362S200-(mils)				
		33 ksi		50 ksi		33 ksi		50 ksi			33 ksi		50 ksi		
		33	43	54	68	33	43	54	68	97	33	43	54	68	97
8	12	1.46 a	2.08 a	3.11 a	4.05 a	1.86 a	2.52 a	3.98 a	5.11 a	7.48 a	2.26 a	3.26 a	5.05 a	7.99 a	9.2 a
	16	1.4 a	2.02 a	3.07 a	4.01 a	1.8 a	2.46 a	3.93 a	5.07 a	7.43 a	2.2 a	3.2 a	5 a	7.92 a	9.15 a
	24	1.29 a	1.91 a	2.98 a	3.93 a	1.68 a	2.35 a	3.84 a	4.98 a	7.35 a	2.06 a	3.07 a	4.88 a	7.79 a	9.06 a
9	12	1.38 a	1.98 a	2.93 a	3.82 a	1.75 a	2.38 a	3.74 a	4.78 a	6.97 a	2.14 a	3.09 a	4.72 a	7.48 a	8.54 a
	16	1.31 a	1.91 a	2.88 a	3.78 a	1.68 a	2.31 a	3.68 a	4.73 a	6.92 a	2.06 a	3.01 a	4.65 a	7.4 a	8.49 a
	24	1.17 a	1.78 a	2.77 a	3.68 a	1.53 a	2.17 a	3.56 a	4.63 a	6.81 a	1.9 a	2.85 a	4.52 a	7.24 a	8.38 a
10	12	1.28 a	1.87 a	2.72 a	3.55 a	1.63 a	2.09 a	3.47 a	4.42 a	6.41 a	2.01 a	2.9 a	4.35 a	6.88 a	7.83 a
	16	1.2 a	1.79 a	2.66 a	3.5 a	1.54 a	2.02 a	3.4 a	4.36 a	6.35 a	1.91 a	2.81 a	4.27 a	6.79 a	7.77 a
	24	1.04 a	1.62 a	2.54 a	3.39 a	1.37 a	1.86 a	3.26 a	4.24 a	6.23 a	1.72 a	2.62 a	4.12 a	6.61 a	7.64 a
12	12	1.08 a	1.6 a	2.29 a	2.98 a	1.37 a	1.99 a	2.84 a	3.62 a	5.2 a	1.71 a	2.48 a	3.54 a	5.58 a	6.33 a
	16	0.97 b	1.5 a	2.21 a	2.91 a	1.25 a	1.88 a	2.76 a	3.55 a	5.13 a	1.59 a	2.36 a	3.45 a	5.48 a	6.26 a
	24	0.76 d	1.28 c	2.05 b	2.78 a	1.03 c	1.66 b	2.59 a	3.41 a	4.99 a	1.33 c	2.13 a	3.27 a	5.27 a	6.11 a
14	12	0.85 c	1.31 b	1.86 a	2.43 a	1.09 b	1.63 a	2.28 a	2.93 a	4.17 a	1.38 a	2.05 a	2.82 a	4.45 a	5.08 a
	16	0.72 d	1.18 c	1.77 b	2.36 a	0.95 d	1.5 b	2.19 a	2.85 a	4.09 a	1.23 c	1.91 b	2.72 a	4.33 a	4.99 a
	24	0.47 e	0.93 e	1.59 d	2.21 c	0.69 e	1.23 d	2 c	2.68 b	3.93 a	0.93 d	1.63 d	2.52 c	4.1 a	4.83 a
16	12	0.63 d	1.01 d	1.49 c	1.96 b	0.82 d	1.28 c	1.82 b	2.35 a	3.35 a	1.05 c	1.62 b	2.25 a	3.56 a	4.09 a
	16	0.49 e	0.87 e	1.39 d	1.88 c	0.67 e	1.13 d	1.72 c	2.27 b	3.26 a	0.88 d	1.47 c	2.14 c	3.43 a	4 a
	24	0.2 f	0.59 f	1.2 e	1.72 e	0.37 f	0.84 e	1.52 e	2.09 d	3.1 c	0.55 e	1.16 e	1.92 d	3.18 c	3.83 b

5 psf Lateral Load (Interior Walls Only)

Wall Height (ft)	Spacing (in.) o.c.	362S250-(mils)				362S300-(mils)			600S137-(mils)				
		33 ksi		50 ksi		50 ksi			33 ksi		50 ksi ¹		
		43	54	68	97	54	68	97	33	43	54	68	97
8	12	3.72 a	5.74 a	7.52 a	10.57 a	5.79 a	8.01 a	11.82 a	1.77 a	2.51 a	3.8 a	5.03 a	7.52 a
	16	3.65 a	5.68 a	7.46 a	10.51 a	5.73 a	7.95 a	11.76 a	1.74 a	2.47 a	3.77 a	5 a	7.5 a
	24	3.51 a	5.55 a	7.34 a	10.41 a	5.61 a	7.83 a	11.65 a	1.67 a	2.41 a	3.71 a	4.95 a	7.45 a
9	12	3.56 a	5.44 a	7 a	9.83 a	5.49 a	7.51 a	11.15 a	1.75 a	2.48 a	3.77 a	5 a	7.5 a
	16	3.47 a	5.36 a	6.93 a	9.77 a	5.42 a	7.44 a	11.09 a	1.7 a	2.44 a	3.74 a	4.97 a	7.47 a
	24	3.3 a	5.22 a	6.79 a	9.64 a	5.28 a	7.29 a	10.96 a	1.61 a	2.36 a	3.67 a	4.9 a	7.41 a
10	12	3.38 a	5.1 a	6.43 a	9.05 a	5.17 a	6.99 a	10.28 a	1.71 a	2.45 a	3.75 a	4.98 a	7.48 a
	16	3.28 a	5.01 a	6.35 a	8.97 a	5.09 a	6.9 a	10.21 a	1.66 a	2.4 a	3.71 a	4.94 a	7.44 a
	24	3.08 a	4.84 a	6.2 a	8.83 a	4.92 a	6.74 a	10.06 a	1.55 a	2.3 a	3.62 a	4.86 a	7.37 a
12	12	2.91 a	4.17 a	5.25 a	7.39 a	4.55 a	5.93 a	8.45 a	1.64 a	2.38 a	3.69 a	4.93 a	7.43 a
	16	2.78 a	4.07 a	5.16 a	7.3 a	4.44 a	5.83 a	8.36 a	1.57 a	2.31 a	3.63 a	4.87 a	7.38 a
	24	2.52 a	3.86 a	4.97 a	7.13 a	4.22 a	5.62 a	8.18 a	1.41 a	2.16 a	3.51 a	4.75 a	7.27 a
14	12	2.42 a	3.33 a	4.22 a	5.95 a	3.8 a	4.85 a	6.85 a	1.56 a	2.3 a	3.63 a	4.86 a	7.37 a
	16	2.26 a	3.22 a	4.11 a	5.86 a	3.68 a	4.73 a	6.75 a	1.45 a	2.2 a	3.55 a	4.78 a	7.3 a
	24	1.95 c	2.99 b	3.9 a	5.66 a	3.42 a	4.5 a	6.54 a	1.24 a	2 a	3.38 a	4.62 a	7.15 a
16	12	1.93 a	2.66 a	3.4 a	4.82 a	3.07 a	3.92 a	5.58 a	1.45 a	2.2 a	3.55 a	4.79 a	7.3 a
	16	1.76 c	2.54 b	3.28 a	4.72 a	2.93 a	3.79 a	5.47 a	1.31 a	2.07 a	3.44 a	4.68 a	7.21 a
	24	1.41 d	2.29 d	3.06 c	4.51 a	2.66 c	3.54 b	5.25 a	1.04 c	1.81 a	3.23 a	4.47 a	7.02 a

See Combined Axial and Lateral Load Table Notes on page 31.

Combined Axial and Lateral Load Tables



5 psf Lateral Load (Interior Walls Only)

Wall Height (ft)	Spacing (in.) o.c.	600S162-(mils)						600S200-(mils)					
		33 ksi		50 ksi				33 ksi		50 ksi			
		33	43	54	68	97	118	33	43	54	68	97	118
8	12	2.44 a	3.4 a	5.59 a	7.42 a	11.35 a	14.19 a	2.86 a	4.29 a	7.35 a	9.77 a	15.24 a	19.54 a
	16	2.4 a	3.37 a	5.56 a	7.39 a	11.32 a	14.16 a	2.82 a	4.25 a	7.31 a	9.73 a	15.2 a	19.5 a
	24	2.33 a	3.3 a	5.49 a	7.33 a	11.25 a	14.09 a	2.74 a	4.17 a	7.23 a	9.65 a	15.12 a	19.42 a
9	12	2.4 a	3.37 a	5.57 a	7.4 a	11.32 a	14.17 a	2.81 a	4.22 a	7.22 a	9.62 a	15.01 a	19.25 a
	16	2.35 a	3.33 a	5.52 a	7.36 a	11.28 a	14.13 a	2.76 a	4.17 a	7.18 a	9.57 a	14.96 a	19.2 a
	24	2.26 a	3.24 a	5.44 a	7.28 a	11.2 a	14.04 a	2.66 a	4.06 a	7.08 a	9.47 a	14.87 a	19.1 a
10	12	2.35 a	3.32 a	5.52 a	7.37 a	11.29 a	14.14 a	2.75 a	4.14 a	7.07 a	9.43 a	14.73 a	18.9 a
	16	2.29 a	3.27 a	5.47 a	7.32 a	11.24 a	14.09 a	2.69 a	4.07 a	7.01 a	9.37 a	14.67 a	18.83 a
	24	2.18 a	3.16 a	5.37 a	7.22 a	11.14 a	13.98 a	2.57 a	3.95 a	6.89 a	9.25 a	14.56 a	18.71 a
12	12	2.23 a	3.18 a	5.29 a	7.16 a	11.23 a	14.07 a	2.61 a	3.94 a	6.69 a	8.94 a	14 a	17.95 a
	16	2.15 a	3.11 a	5.22 a	7.09 a	11.15 a	13.99 a	2.53 a	3.85 a	6.6 a	8.86 a	13.92 a	17.87 a
	24	1.99 a	2.96 a	5.07 a	6.96 a	11.01 a	13.84 a	2.36 a	3.67 a	6.44 a	8.69 a	13.76 a	17.7 a
14	12	2.07 a	3 a	4.96 a	6.75 a	10.8 a	13.99 a	2.44 a	3.68 a	6.19 a	8.3 a	13.04 a	16.69 a
	16	1.97 a	2.9 a	4.87 a	6.66 a	10.7 a	13.89 a	2.32 a	3.57 a	6.08 a	8.19 a	12.94 a	16.59 a
	24	1.76 a	2.71 a	4.68 a	6.49 a	10.51 a	13.68 a	2.1 a	3.34 a	5.87 a	7.98 a	12.73 a	16.37 a
16	12	1.89 a	2.78 a	4.54 a	6.22 a	9.94 a	12.85 a	2.23 a	3.38 a	5.6 a	7.55 a	11.89 a	15.19 a
	16	1.76 a	2.66 a	4.43 a	6.11 a	9.82 a	12.72 a	2.09 a	3.24 a	5.47 a	7.42 a	11.76 a	15.06 a
	24	1.5 b	2.41 a	4.21 a	5.89 a	9.59 a	12.48 a	1.81 a	2.96 a	5.22 a	7.16 a	11.52 a	14.81 a

5 psf Lateral Load (Interior Walls Only)

Wall Height (ft)	Spacing (in.) o.c.	600S250-(mils)					600S300-(mils)				600S350-(mils)			
		33 ksi		50 ksi			50 ksi				50 ksi			
		43	54	68	97	118	54	68	97	118	54	68	97	118
8	12	4.65 a	7.59 a	10.93 a	17.91 a	22.79 a	7.9 a	11.11 a	19.22 a	24.9 a	10.21 a	14.72 a	23.85 a	31.42 a
	16	4.61 a	7.55 a	10.88 a	17.86 a	22.75 a	7.86 a	11.07 a	19.17 a	24.85 a	10.17 a	14.68 a	23.8 a	31.36 a
	24	4.52 a	7.48 a	10.8 a	17.77 a	22.65 a	7.78 a	10.98 a	19.08 a	24.76 a	10.09 a	14.59 a	23.7 a	31.26 a
9	12	4.58 a	7.47 a	10.74 a	17.58 a	22.38 a	7.78 a	10.93 a	18.86 a	24.47 a	10.03 a	14.47 a	23.44 a	30.71 a
	16	4.53 a	7.42 a	10.69 a	17.52 a	22.32 a	7.73 a	10.88 a	18.81 a	24.41 a	9.98 a	14.42 a	23.38 a	30.64 a
	24	4.42 a	7.33 a	10.58 a	17.41 a	22.21 a	7.63 a	10.77 a	18.69 a	24.29 a	9.87 a	14.31 a	23.25 a	30.52 a
10	12	4.5 a	7.33 a	10.53 a	17.2 a	21.89 a	7.63 a	10.72 a	18.45 a	23.97 a	9.82 a	14.19 a	22.97 a	29.9 a
	16	4.44 a	7.27 a	10.46 a	17.13 a	21.82 a	7.57 a	10.66 a	18.38 a	23.89 a	9.75 a	14.12 a	22.9 a	29.82 a
	24	4.31 a	7.15 a	10.33 a	16.99 a	21.68 a	7.45 a	10.53 a	18.24 a	23.75 a	9.63 a	13.98 a	22.75 a	29.67 a
12	12	4.31 a	6.98 a	10.01 a	16.23 a	20.67 a	7.27 a	10.27 a	17.45 a	22.79 a	9.32 a	13.52 a	21.92 a	28.01 a
	16	4.22 a	6.9 a	9.92 a	16.14 a	20.57 a	7.19 a	10.19 a	17.36 a	22.69 a	9.24 a	13.42 a	21.82 a	27.9 a
	24	4.03 a	6.74 a	9.74 a	15.94 a	20.37 a	7.02 a	10.01 a	17.17 a	22.49 a	9.06 a	13.23 a	21.61 a	27.7 a
14	12	4.08 a	6.6 a	9.38 a	15.04 a	19.14 a	6.84 a	9.74 a	16.28 a	21.48 a	8.75 a	12.73 a	20.52 a	25.83 a
	16	3.95 a	6.49 a	9.27 a	14.92 a	19.01 a	6.73 a	9.63 a	16.16 a	21.35 a	8.63 a	12.6 a	20.38 a	25.7 a
	24	3.71 a	6.28 a	9.03 a	14.67 a	18.76 a	6.51 a	9.39 a	15.92 a	21.09 a	8.41 a	12.36 a	20.12 a	25.44 a
16	12	3.8 a	6.21 a	8.7 a	13.68 a	17.4 a	6.34 a	9.14 a	15.01 a	19.59 a	8.1 a	11.84 a	18.64 a	23.47 a
	16	3.65 a	6.08 a	8.56 a	13.54 a	17.25 a	6.21 a	8.99 a	14.87 a	19.44 a	7.96 a	11.69 a	18.48 a	23.31 a
	24	3.35 a	5.81 a	8.28 a	13.24 a	16.95 a	5.94 a	8.71 a	14.57 a	19.13 a	7.69 a	11.39 a	18.17 a	23 a

See Combined Axial and Lateral Load Table Notes on page 31.

Combined Axial and Lateral Load Tables



5 psf Lateral Load (Interior Walls Only)

Wall Height (ft)	Spacing (in.) o.c.	800S137-(mils)					800S162-(mils)					
		33 ksi		50 ksi			33 ksi		50 ksi			
		33	43	54	68	97	33	43	54	68	97	118
8	12	1.7 a*	2.43 a	3.56 a	4.73 a	7.23 a	2.38 a*	3.35 a	5.42 a	7.23 a	11.25 a	14.31 a
	16	1.67 a*	2.4 a	3.54 a	4.72 a	7.21 a	2.35 a*	3.33 a	5.4 a	7.21 a	11.23 a	14.29 a
	24	1.62 a*	2.36 a	3.5 a	4.68 a	7.18 a	2.28 a*	3.27 a	5.35 a	7.16 a	11.18 a	14.24 a
9	12	1.68 a*	2.41 a	3.54 a	4.72 a	7.22 a	2.35 a*	3.33 a	5.4 a	7.21 a	11.23 a	14.29 a
	16	1.64 a*	2.38 a	3.52 a	4.7 a	7.2 a	2.31 a*	3.3 a	5.37 a	7.18 a	11.2 a	14.26 a
	24	1.57 a*	2.32 a	3.47 a	4.65 a	7.16 a	2.22 a*	3.23 a	5.31 a	7.12 a	11.15 a	14.21 a
10	12	1.65 a*	2.39 a	3.53 a	4.7 a	7.2 a	2.32 a*	3.31 a	5.38 a	7.19 a	11.21 a	14.27 a
	16	1.61 a*	2.35 a	3.5 a	4.68 a	7.18 a	2.27 a*	3.26 a	5.34 a	7.15 a	11.18 a	14.24 a
	24	1.52 a*	2.28 a	3.44 a	4.62 a	7.13 a	2.16 a*	3.18 a	5.27 a	7.08 a	11.11 a	14.17 a
12	12	1.59 a*	2.34 a	3.49 a	4.67 a	7.17 a	2.25 a*	3.25 a	5.33 a	7.14 a	11.17 a	14.23 a
	16	1.53 a*	2.29 a	3.45 a	4.63 a	7.13 a	2.17 a*	3.19 a	5.28 a	7.09 a	11.12 a	14.18 a
	24	1.4 a*	2.18 a	3.37 a	4.55 a	7.06 a	2.02 a*	3.06 a	5.17 a	6.98 a	11.02 a	14.08 a
14	12	1.52 a*	2.28 a	3.44 a	4.62 a	7.13 a	2.17 a*	3.18 a	5.27 a	7.08 a	11.11 a	14.17 a
	16	1.44 a*	2.21 a	3.39 a	4.57 a	7.08 a	2.06 a*	3.1 a	5.2 a	7.01 a	11.04 a	14.11 a
	24	1.26 a*	2.07 a	3.28 a	4.46 a	6.98 a	1.85 a*	2.93 a	5.05 a	6.87 a	10.91 a	13.97 a
16	12	1.44 a*	2.22 a	3.39 a	4.57 a	7.09 a	2.07 a*	3.1 a	5.2 a	7.02 a	11.05 a	14.11 a
	16	1.33 a*	2.13 a	3.32 a	4.5 a	7.02 a	1.93 a*	2.99 a	5.11 a	6.92 a	10.96 a	14.02 a
	24	1.1 a*	1.94 a	3.17 a	4.36 a	6.9 a	1.65 a*	2.77 a	4.91 a	6.73 a	10.79 a	13.85 a

5 psf Lateral Load (Interior Walls Only)

Wall Height (ft)	Spacing (in.) o.c.	800S200-(mils)						800S250-(mils)				800S300-(mils)				
		33 ksi		50 ksi				33 ksi		50 ksi		50 ksi				
		33	43	54	68	97	118	43	54	68	97	118	54	68	97	118
8	12	2.95 a*	4.49 a	7.74 a	10.27 a	15.96 a	20.43 a	4.89 a	8.13 a	11.73 a	19.55 a	25.43 a	8.48 a	12 a	21.32 a	27.8 a
	16	2.92 a*	4.46 a	7.72 a	10.24 a	15.93 a	20.41 a	4.86 a	8.1 a	11.7 a	19.52 a	25.4 a	8.45 a	11.97 a	21.28 a	27.76 a
	24	2.84 a*	4.4 a	7.66 a	10.19 a	15.88 a	20.35 a	4.8 a	8.04 a	11.64 a	19.45 a	25.33 a	8.39 a	11.91 a	21.21 a	27.69 a
9	12	2.92 a*	4.46 a	7.72 a	10.25 a	15.93 a	20.41 a	4.85 a	8.07 a	11.67 a	19.45 a	25.26 a	8.41 a	11.92 a	21.14 a	27.58 a
	16	2.88 a*	4.43 a	7.69 a	10.21 a	15.9 a	20.38 a	4.82 a	8.03 a	11.63 a	19.4 a	25.22 a	8.37 a	11.88 a	21.1 a	27.54 a
	24	2.78 a*	4.35 a	7.61 a	10.14 a	15.83 a	20.31 a	4.74 a	7.96 a	11.55 a	19.32 a	25.13 a	8.3 a	11.8 a	21.01 a	27.45 a
10	12	2.89 a*	4.44 a	7.7 a	10.22 a	15.91 a	20.39 a	4.81 a	8 a	11.59 a	19.32 a	25.05 a	8.33 a	11.81 a	20.93 a	27.32 a
	16	2.83 a*	4.39 a	7.65 a	10.18 a	15.87 a	20.34 a	4.76 a	7.96 a	11.54 a	19.27 a	25 a	8.28 a	11.76 a	20.88 a	27.27 a
	24	2.71 a*	4.3 a	7.56 a	10.09 a	15.79 a	20.26 a	4.66 a	7.86 a	11.45 a	19.16 a	24.89 a	8.19 a	11.67 a	20.77 a	27.16 a
12	12	2.8 a*	4.37 a	7.63 a	10.17 a	15.86 a	20.33 a	4.7 a	7.82 a	11.38 a	18.99 a	24.47 a	8.13 a	11.53 a	20.37 a	26.64 a
	16	2.72 a*	4.3 a	7.57 a	10.1 a	15.8 a	20.27 a	4.63 a	7.76 a	11.32 a	18.92 a	24.39 a	8.06 a	11.47 a	20.3 a	26.56 a
	24	2.55 a*	4.17 a	7.44 a	9.98 a	15.68 a	20.14 a	4.49 a	7.63 a	11.18 a	18.77 a	24.24 a	7.92 a	11.33 a	20.14 a	26.4 a
14	12	2.68 a*	4.23 a	7.39 a	9.91 a	15.7 a	20.26 a	4.56 a	7.58 a	11.02 a	18.34 a	23.64 a	7.86 a	11.17 a	19.63 a	25.73 a
	16	2.57 a*	4.14 a	7.3 a	9.83 a	15.62 a	20.18 a	4.46 a	7.49 a	10.93 a	18.24 a	23.54 a	7.77 a	11.08 a	19.53 a	25.63 a
	24	2.34 a*	3.97 a	7.14 a	9.66 a	15.46 a	20.01 a	4.28 a	7.32 a	10.75 a	18.05 a	23.33 a	7.59 a	10.91 a	19.33 a	25.42 a
16	12	2.53 a*	4.05 a	7.05 a	9.49 a	15.09 a	19.6 a	4.38 a	7.26 a	10.54 a	17.48 a	22.56 a	7.53 a	10.72 a	18.72 a	24.64 a
	16	2.38 a*	3.94 a	6.95 a	9.39 a	14.99 a	19.49 a	4.26 a	7.15 a	10.43 a	17.36 a	22.43 a	7.42 a	10.61 a	18.6 a	24.51 a
	24	2.09 a*	3.72 a	6.73 a	9.18 a	14.78 a	19.28 a	4.03 a	6.94 a	10.2 a	17.11 a	22.17 a	7.19 a	10.39 a	18.35 a	24.25 a

See Combined Axial and Lateral Load Table Notes on page 31.

Combined Axial and Lateral Load Tables

5 psf Lateral Load (Interior Walls Only)

Wall Height (ft)	Spacing (in.) o.c.	800S350-(mils)			
		50 ksi			
		54	68	97	118
8	12	10.93 a	15.73 a	25.86 a	34.32 a
	16	10.9 a	15.7 a	25.83 a	34.28 a
	24	10.84 a	15.64 a	25.75 a	34.2 a
9	12	10.83 a	15.61 a	25.7 a	34.05 a
	16	10.79 a	15.57 a	25.65 a	34 a
	24	10.71 a	15.48 a	25.56 a	33.91 a
10	12	10.71 a	15.46 a	25.46 a	33.74 a
	16	10.66 a	15.41 a	25.4 a	33.68 a
	24	10.56 a	15.31 a	25.29 a	33.57 a
12	12	10.41 a	15.09 a	24.78 a	32.99 a
	16	10.34 a	15.02 a	24.7 a	32.91 a
	24	10.2 a	14.87 a	24.54 a	32.74 a
14	12	10.04 a	14.6 a	23.95 a	31.77 a
	16	9.95 a	14.51 a	23.84 a	31.66 a
	24	9.77 a	14.32 a	23.63 a	31.44 a
16	12	9.61 a	14.03 a	23.01 a	30.13 a
	16	9.5 a	13.91 a	22.88 a	30 a
	24	9.26 a	13.67 a	22.61 a	29.73 a

See Combined Axial and Lateral Load Table Notes on page 31.

Combined Axial and Lateral Load Tables



15 psf Lateral Load

Wall Height (ft)	Spacing (in.) o.c.	362S137-(mils)				362S162-(mils)					362S200-(mils)				
		33 ksi		50 ksi		33 ksi		50 ksi			33 ksi		50 ksi		
		33	43	54	68	33	43	54	68	97	33	43	54	68	97
8	12	1.13 a	1.75 a	2.85 a	3.82 a	1.5 a	2.18 a	3.69 a	4.85 a	7.21 a	1.87 a	2.88 a	4.72 a	7.6 a	8.92 a
	16	0.96 a	1.58 a	2.71 a	3.7 a	1.32 a	2 a	3.54 a	4.72 a	7.08 a	1.67 a	2.69 a	4.55 a	7.4 a	8.78 a
	24	0.63 b	1.25 a	2.45 a	3.47 a	0.96 a	1.66 a	3.25 a	4.45 a	6.82 a	1.27 a	2.3 a	4.22 a	7.01 a	8.5 a
9	12	0.97 a	1.57 a	2.61 a	3.54 a	1.31 a	1.96 a	3.39 a	4.47 a	6.66 a	1.65 a	2.62 a	4.32 a	7.01 a	8.21 a
	16	0.77 a	1.37 a	2.45 a	3.4 a	1.09 a	1.75 a	3.21 a	4.31 a	6.5 a	1.41 a	2.39 a	4.12 a	6.78 a	8.05 a
	24	0.36 c	0.96 b	2.13 a	3.12 a	0.65 c	1.33 a	2.86 a	4 a	6.19 a	0.93 b	1.92 a	3.72 a	6.32 a	7.72 a
10	12	0.8 b	1.38 a	2.35 a	3.23 a	1.11 a	1.63 a	3.06 a	4.06 a	6.05 a	1.43 a	2.35 a	3.89 a	6.35 a	7.45 a
	16	0.56 c	1.13 b	2.17 a	3.07 a	0.85 b	1.4 a	2.86 a	3.88 a	5.87 a	1.14 a	2.07 a	3.67 a	6.08 a	7.27 a
	24	0.07 e	0.65 d	1.79 c	2.74 b	0.33 d	0.93 c	2.45 b	3.52 a	5.51 a	0.56 c	1.52 b	3.21 a	5.55 a	6.89 a
12	12	0.44 d	0.96 c	1.82 b	2.58 a	0.69 d	1.32 b	2.35 a	3.19 a	4.78 a	0.95 c	1.77 a	2.99 a	4.95 a	5.89 a
	16	0.12 e	0.64 d	1.59 c	2.38 b	0.35 e	0.99 d	2.1 c	2.98 b	4.57 a	0.57 d	1.42 c	2.72 b	4.63 a	5.67 a
	24			1.13 e	1.98 d		0.32 e	1.61 d	2.54 d	4.14 b	-0.18 e	0.7 d	2.17 d	4 c	5.23 a
14	12	0.08 e	0.54 e	1.33 d	1.98 c	0.28 e	0.84 d	1.73 d	2.44 c	3.7 a	0.47 e	1.2 d	2.21 c	3.75 b	4.59 a
	16		0.16 e	1.06 e	1.75 d		0.44 e	1.45 e	2.2 d	3.46 c	0.02 e	0.78 e	1.9 d	3.4 c	4.34 b
	24			0.53 f	1.3 e			0.9 f	1.71 e	3 d			1.29 e	2.7 e	3.86 d
16	12		0.16 f	0.91 e	1.47 e		0.4 e	1.22 e	1.83 d	2.85 c	0.05 f	0.69 e	1.59 d	2.81 d	3.57 b
	16			0.61 f	1.22 e			0.92 f	1.57 e	2.6 d		0.23 f	1.26 e	2.43 e	3.31 d
	24			0.03 f	0.73 f			0.32 f	1.04 f	2.09 e			0.6 f	1.69 f	2.79 e

15 psf Lateral Load

Wall Height (ft)	Spacing (in.) o.c.	362S250-(mils)				362S300-(mils)			600S137-(mils)				
		33 ksi	50 ksi			50 ksi			33 ksi		50 ksi		
		43	54	68	97	54	68	97	33	43	54	68	97
8	12	3.3 a	5.37 a	7.17 a	10.24 a	5.26 a	7.47 a	11.32 a	1.46 a	2.21 a	3.55 a	4.79 a	7.3 a
	16	3.09 a	5.19 a	6.99 a	10.08 a	5.02 a	7.22 a	11.1 a	1.33 a	2.08 a	3.44 a	4.68 a	7.21 a
	24	2.68 a	4.83 a	6.64 a	9.76 a	4.55 a	6.74 a	10.66 a	1.05 a	1.81 a	3.23 a	4.47 a	7.02 a
9	12	3.05 a	5 a	6.58 a	9.45 a	4.85 a	6.86 a	10.56 a	1.35 a	2.1 a	3.47 a	4.7 a	7.23 a
	16	2.79 a	4.78 a	6.37 a	9.26 a	4.57 a	6.57 a	10.29 a	1.18 a	1.93 a	3.33 a	4.57 a	7.11 a
	24	2.28 a	4.35 a	5.95 a	8.87 a	3.99 a	6 a	9.77 a	0.83 a	1.6 a	3.05 a	4.3 a	6.86 a
10	12	2.77 a	4.59 a	5.96 a	8.61 a	4.42 a	6.24 a	9.6 a	1.23 a	1.98 a	3.37 a	4.61 a	7.14 a
	16	2.47 a	4.33 a	5.72 a	8.39 a	4.08 a	5.9 a	9.3 a	1.02 a	1.78 a	3.2 a	4.44 a	6.99 a
	24	1.86 a	3.82 a	5.24 a	7.95 a	3.41 a	5.24 a	8.7 a	0.59 a	1.36 a	2.86 a	4.11 a	6.69 a
12	12	2.13 a	3.55 a	4.68 a	6.87 a	3.57 a	5 a	7.64 a	0.95 a	1.71 a	3.15 a	4.39 a	6.94 a
	16	1.73 b	3.25 a	4.4 a	6.61 a	3.14 b	4.59 a	7.27 a	0.64 a	1.41 a	2.9 a	4.15 a	6.73 a
	24	0.94 d	2.63 c	3.82 b	6.09 a	2.27 d	3.76 c	6.55 a	0.02 c	0.81 b	2.41 a	3.67 a	6.29 a
14	12	1.48 c	2.64 b	3.58 a	5.37 a	2.66 c	3.79 b	5.94 a	0.61 b	1.39 a	2.88 a	4.13 a	6.71 a
	16	1.01 d	2.3 c	3.26 b	5.08 a	2.16 d	3.32 c	5.54 b	0.19 d	0.98 b	2.55 a	3.8 a	6.41 a
	24	0.08 e	1.61 e	2.63 d	4.51 c	1.14 e	2.39 e	4.73 d	0.17 d	0.17 d	1.89 c	3.15 b	5.82 a
16	12	0.89 e	1.92 d	2.71 c	4.2 a	1.83 e	2.78 d	4.6 b	0.22 d	1.01 c	2.58 b	3.83 a	6.44 a
	16	0.37 e	1.55 e	2.37 d	3.89 c	1.28 e	2.27 e	4.16 d	-0.32 e	0.48 d	2.14 c	3.4 b	6.05 a
	24		0.81 f	1.68 e	3.27 d	0.18 f	1.26 f	3.29 e		-0.58 e	1.28 e	2.55 d	5.28 c

See Combined Axial and Lateral Load Table Notes on page 31.

Combined Axial and Lateral Load Tables



15 psf Lateral Load

Wall Height (ft)	Spacing (in.) o.c.	600S162-(mils)						600S200-(mils)					
		33 ksi		50 ksi				33 ksi		50 ksi			
		33	43	54	68	97	118	33	43	54	68	97	118
8	12	2.11 a	3.09 a	5.3 a	7.14 a	11.06 a	13.89 a	2.51 a	3.92 a	7.11 a	9.54 a	15.01 a	19.3 a
	16	1.97 a	2.96 a	5.16 a	7.01 a	10.93 a	13.76 a	2.35 a	3.75 a	6.99 a	9.42 a	14.89 a	19.18 a
	24	1.68 a	2.68 a	4.9 a	6.76 a	10.67 a	13.49 a	2.03 a	3.42 a	6.76 a	9.18 a	14.66 a	18.94 a
9	12	1.99 a	2.98 a	5.19 a	7.04 a	10.95 a	13.79 a	2.36 a	3.75 a	6.93 a	9.32 a	14.72 a	18.95 a
	16	1.81 a	2.81 a	5.02 a	6.88 a	10.79 a	13.62 a	2.17 a	3.55 a	6.78 a	9.17 a	14.58 a	18.8 a
	24	1.45 a	2.46 a	4.69 a	6.56 a	10.46 a	13.28 a	1.77 a	3.14 a	6.48 a	8.87 a	14.29 a	18.5 a
10	12	1.85 a	2.84 a	5.06 a	6.93 a	10.84 a	13.67 a	2.21 a	3.57 a	6.71 a	9.07 a	14.38 a	18.53 a
	16	1.63 a	2.63 a	4.85 a	6.73 a	10.64 a	13.46 a	1.96 a	3.32 a	6.53 a	8.89 a	14.21 a	18.35 a
	24	1.18 a	2.2 a	4.44 a	6.34 a	10.23 a	13.04 a	1.48 a	2.81 a	6.17 a	8.52 a	13.86 a	17.98 a
12	12	1.52 a	2.51 a	4.64 a	6.54 a	10.57 a	13.39 a	1.84 a	3.14 a	6.19 a	8.44 a	13.52 a	17.45 a
	16	1.21 a	2.2 a	4.35 a	6.26 a	10.28 a	13.09 a	1.5 a	2.79 a	5.94 a	8.19 a	13.29 a	17.2 a
	24	0.58 c	1.6 a	3.78 a	5.71 a	9.69 a	12.49 a	0.81 b	2.09 a	5.44 a	7.69 a	12.81 a	16.69 a
14	12	1.15 a	2.11 a	4.13 a	5.95 a	9.93 a	13.07 a	1.42 a	2.65 a	5.55 a	7.66 a	12.43 a	16.05 a
	16	0.73 c	1.71 b	3.75 a	5.59 a	9.54 a	12.66 a	0.97 b	2.19 a	5.24 a	7.35 a	12.12 a	15.73 a
	24	-0.09 d	0.92 d	3.01 c	4.87 a	8.77 a	11.84 a	0.07 d	1.27 c	4.6 a	6.71 a	11.51 a	15.09 a
16	12	0.73 c	1.67 b	3.53 a	5.23 a	8.89 a	11.74 a	0.96 c	2.1 a	4.84 a	6.78 a	11.15 a	14.42 a
	16	0.22 d	1.17 d	3.07 c	4.8 a	8.42 a	11.24 a	0.4 d	1.54 c	4.46 a	6.4 a	10.79 a	14.04 a
	24		0.18 e	2.17 d	3.92 c	7.49 b	10.26 a	-0.73 e	0.4 d	3.7 b	5.64 a	10.06 a	13.27 a

15 psf Lateral Load

Wall Height (ft)	Spacing (in.) o.c.	600S250-(mils)					600S300-(mils)				600S350-(mils)			
		33 ksi		50 ksi			50 ksi				50 ksi			
		43	54	68	97	118	54	68	97	118	54	68	97	118
8	12	4.39 a	7.36 a	10.67 a	17.63 a	22.51 a	7.67 a	10.85 a	18.94 a	24.61 a	9.96 a	14.45 a	23.56 a	31.11 a
	16	4.27 a	7.24 a	10.54 a	17.49 a	22.36 a	7.55 a	10.73 a	18.8 a	24.47 a	9.83 a	14.32 a	23.41 a	30.95 a
	24	4.01 a	7.01 a	10.28 a	17.21 a	22.07 a	7.31 a	10.48 a	18.53 a	24.18 a	9.58 a	14.04 a	23.11 a	30.65 a
9	12	4.26 a	7.18 a	10.42 a	17.23 a	22.03 a	7.48 a	10.61 a	18.52 a	24.11 a	9.71 a	14.14 a	23.07 a	30.33 a
	16	4.1 a	7.03 a	10.26 a	17.06 a	21.85 a	7.33 a	10.46 a	18.35 a	23.93 a	9.56 a	13.97 a	22.88 a	30.13 a
	24	3.78 a	6.74 a	9.94 a	16.71 a	21.49 a	7.04 a	10.14 a	18 a	23.57 a	9.24 a	13.63 a	22.51 a	29.75 a
10	12	4.11 a	6.98 a	10.14 a	16.77 a	21.46 a	7.27 a	10.34 a	18.03 a	23.53 a	9.44 a	13.78 a	22.52 a	29.44 a
	16	3.91 a	6.8 a	9.94 a	16.56 a	21.24 a	7.09 a	10.15 a	17.82 a	23.31 a	9.25 a	13.57 a	22.3 a	29.21 a
	24	3.52 a	6.44 a	9.55 a	16.14 a	20.81 a	6.73 a	9.76 a	17.4 a	22.88 a	8.87 a	13.16 a	21.85 a	28.75 a
12	12	3.76 a	6.49 a	9.47 a	15.66 a	20.07 a	6.77 a	9.74 a	16.88 a	22.19 a	8.8 a	12.95 a	21.3 a	27.39 a
	16	3.48 a	6.24 a	9.2 a	15.37 a	19.78 a	6.52 a	9.47 a	16.6 a	21.89 a	8.54 a	12.67 a	20.99 a	27.08 a
	24	2.93 a	5.75 a	8.66 a	14.79 a	19.18 a	6.02 a	8.94 a	16.02 a	21.3 a	8.01 a	12.1 a	20.37 a	26.46 a
14	12	3.35 a	5.95 a	8.69 a	14.31 a	18.39 a	6.19 a	9.05 a	15.55 a	20.71 a	8.07 a	11.99 a	19.72 a	25.05 a
	16	2.99 a	5.63 a	8.34 a	13.94 a	18.01 a	5.86 a	8.7 a	15.19 a	20.32 a	7.73 a	11.63 a	19.32 a	24.66 a
	24	2.26 a	4.99 a	7.64 a	13.21 a	17.26 a	5.22 a	8 a	14.46 a	19.55 a	7.05 a	10.89 a	18.53 a	23.88 a
16	12	2.89 a	5.41 a	7.85 a	12.81 a	16.5 a	5.55 a	8.28 a	14.13 a	18.67 a	7.27 a	10.94 a	17.69 a	22.54 a
	16	2.44 a	5 a	7.42 a	12.37 a	16.05 a	5.15 a	7.85 a	13.68 a	18.21 a	6.86 a	10.49 a	17.22 a	22.07 a
	24	1.53 c	4.2 b	6.57 a	11.49 a	15.15 a	4.35 a	6.99 a	12.8 a	17.29 a	6.03 a	9.59 a	16.27 a	21.14 a

See Combined Axial and Lateral Load Table Notes on page 31.

Combined Axial and Lateral Load Tables



15 psf Lateral Load

Wall Height (ft)	Spacing (in.) o.c.	800S137-(mils)					800S162-(mils)					
		33 ksi		50 ksi			33 ksi		50 ksi			
		33	43	54	68	97	33	43	54	68	97	118
8	12	1.53 a*	2.29 a	3.45 a	4.63 a	7.13 a	2.17 a*	3.19 a	5.28 a	7.09 a	11.12 a	14.18 a
	16	1.44 a*	2.22 a	3.39 a	4.57 a	7.09 a	2.07 a*	3.1 a	5.2 a	7.02 a	11.05 a	14.11 a
	24	1.27 a*	2.08 a	3.28 a	4.47 a	6.99 a	1.86 a*	2.94 a	5.06 a	6.88 a	10.92 a	13.98 a
9	12	1.46 a*	2.23 a	3.4 a	4.58 a	7.1 a	2.09 a*	3.12 a	5.22 a	7.03 a	11.06 a	14.13 a
	16	1.35 a*	2.15 a	3.34 a	4.52 a	7.04 a	1.96 a*	3.01 a	5.13 a	6.94 a	10.98 a	14.04 a
	24	1.14 a*	1.97 a	3.2 a	4.38 a	6.91 a	1.69 a*	2.8 a	4.94 a	6.76 a	10.81 a	13.88 a
10	12	1.38 a*	2.17 a	3.36 a	4.54 a	7.05 a	2 a*	3.05 a	5.15 a	6.97 a	11.01 a	14.07 a
	16	1.25 a*	2.06 a	3.27 a	4.46 a	6.98 a	1.83 a*	2.92 a	5.04 a	6.86 a	10.9 a	13.96 a
	24	0.98 a*	1.85 a	3.1 a	4.29 a	6.83 a	1.51 a*	2.66 a	4.81 a	6.64 a	10.7 a	13.76 a
12	12	1.21 a*	2.03 a	3.24 a	4.43 a	6.96 a	1.78 a*	2.87 a	5 a	6.82 a	10.87 a	13.93 a
	16	1.02 a*	1.87 a	3.12 a	4.31 a	6.85 a	1.55 a*	2.69 a	4.84 a	6.66 a	10.72 a	13.78 a
	24	0.63 a*	1.56 a	2.87 a	4.07 a	6.63 a	1.08 a*	2.31 a	4.51 a	6.34 a	10.43 a	13.49 a
14	12	1 a*	1.86 a	3.11 a	4.3 a	6.84 a	1.53 a*	2.67 a	4.82 a	6.65 a	10.71 a	13.77 a
	16	0.74 a*	1.65 a	2.94 a	4.14 a	6.69 a	1.21 a*	2.42 a	4.6 a	6.43 a	10.51 a	13.57 a
	24	0.21 a*	1.22 a	2.61 a	3.81 a	6.4 a	0.57 a*	1.9 a	4.15 a	6 a	10.11 a	13.17 a
16	12	0.76 a*	1.67 a	2.96 a	4.15 a	6.7 a	1.23 a*	2.44 a	4.62 a	6.45 a	10.53 a	13.59 a
	16	0.42 a*	1.39 a	2.74 a	3.94 a	6.51 a	0.82 a*	2.1 a	4.33 a	6.17 a	10.26 a	13.32 a
	24		0.84 a	2.3 a	3.52 a	6.13 a		1.44 a	3.74 a	5.6 a	9.74 a	12.8 a

15 psf Lateral Load

Wall Height (ft)	Spacing (in.) o.c.	800S200-(mils)						800S250-(mils)				
		33 ksi		50 ksi				33 ksi	50 ksi			
		33	43	54	68	97	118	43	54	68	97	118
8	12	2.73 a*	4.31 a	7.58 a	10.1 a	15.8 a	20.27 a	4.71 a	7.95 a	11.55 a	19.35 a	25.22 a
	16	2.62 a*	4.23 a	7.49 a	10.02 a	15.72 a	20.18 a	4.61 a	7.86 a	11.46 a	19.24 a	25.11 a
	24	2.39 a*	4.06 a	7.32 a	9.85 a	15.56 a	20.02 a	4.43 a	7.69 a	11.27 a	19.04 a	24.89 a
9	12	2.64 a*	4.25 a	7.51 a	10.04 a	15.73 a	20.2 a	4.62 a	7.85 a	11.44 a	19.19 a	24.99 a
	16	2.5 a*	4.14 a	7.4 a	9.93 a	15.63 a	20.09 a	4.5 a	7.74 a	11.32 a	19.06 a	24.86 a
	24	2.21 a*	3.92 a	7.19 a	9.72 a	15.43 a	19.88 a	4.26 a	7.51 a	11.08 a	18.8 a	24.58 a
10	12	2.54 a*	4.17 a	7.43 a	9.96 a	15.66 a	20.13 a	4.52 a	7.73 a	11.3 a	19 a	24.72 a
	16	2.36 a*	4.03 a	7.3 a	9.83 a	15.54 a	20 a	4.37 a	7.59 a	11.16 a	18.84 a	24.55 a
	24	2.01 a*	3.76 a	7.04 a	9.57 a	15.29 a	19.73 a	4.08 a	7.32 a	10.87 a	18.53 a	24.22 a
12	12	2.3 a*	3.98 a	7.25 a	9.79 a	15.5 a	19.95 a	4.28 a	7.43 a	10.98 a	18.54 a	24 a
	16	2.05 a*	3.79 a	7.06 a	9.6 a	15.32 a	19.76 a	4.08 a	7.24 a	10.77 a	18.31 a	23.77 a
	24	1.54 a*	3.4 a	6.68 a	9.23 a	14.96 a	19.39 a	3.66 a	6.85 a	10.36 a	17.86 a	23.3 a
14	12	2 a*	3.71 a	6.88 a	9.41 a	15.21 a	19.75 a	4 a	7.06 a	10.48 a	17.75 a	23.02 a
	16	1.66 a*	3.45 a	6.63 a	9.16 a	14.97 a	19.49 a	3.72 a	6.8 a	10.2 a	17.45 a	22.71 a
	24	0.98 a*	2.93 a	6.12 a	8.66 a	14.48 a	18.98 a	3.17 a	6.28 a	9.66 a	16.85 a	22.09 a
16	12	1.66 a*	3.39 a	6.42 a	8.86 a	14.48 a	18.95 a	3.67 a	6.61 a	9.86 a	16.74 a	21.78 a
	16	1.22 a*	3.06 a	6.1 a	8.54 a	14.17 a	18.63 a	3.31 a	6.28 a	9.52 a	16.36 a	21.39 a
	24	0.35 a*	2.4 a	5.46 a	7.91 a	13.56 a	17.98 a	2.6 a	5.63 a	8.83 a	15.62 a	20.61 a

See Combined Axial and Lateral Load Table Notes on page 31.

Combined Axial and Lateral Load Tables



15 psf Lateral Load									
Wall Height (ft)	Spacing (in.) o.c.	800S300-(mils)				800S350-(mils)			
		50 ksi				50 ksi			
		54	68	97	118	54	68	97	118
8	12	8.3 a	11.82 a	21.11 a	27.58 a	10.74 a	15.54 a	25.64 a	34.09 a
	16	8.2 a	11.73 a	21.01 a	27.47 a	10.64 a	15.44 a	25.53 a	33.97 a
	24	8.02 a	11.55 a	20.8 a	27.25 a	10.45 a	15.24 a	25.31 a	33.74 a
9	12	8.18 a	11.69 a	20.88 a	27.31 a	10.59 a	15.36 a	25.42 a	33.76 a
	16	8.06 a	11.57 a	20.75 a	27.17 a	10.47 a	15.24 a	25.28 a	33.62 a
	24	7.83 a	11.34 a	20.49 a	26.9 a	10.22 a	14.99 a	25 a	33.33 a
10	12	8.05 a	11.53 a	20.61 a	26.99 a	10.41 a	15.16 a	25.12 a	33.39 a
	16	7.9 a	11.39 a	20.45 a	26.82 a	10.26 a	15 a	24.95 a	33.21 a
	24	7.62 a	11.11 a	20.13 a	26.48 a	9.97 a	14.7 a	24.61 a	32.86 a
12	12	7.72 a	11.14 a	19.92 a	26.17 a	9.99 a	14.66 a	24.3 a	32.49 a
	16	7.52 a	10.94 a	19.69 a	25.93 a	9.78 a	14.45 a	24.06 a	32.24 a
	24	7.12 a	10.54 a	19.24 a	25.46 a	9.37 a	14.02 a	23.58 a	31.74 a
14	12	7.32 a	10.64 a	19.03 a	25.11 a	9.49 a	14.04 a	23.32 a	31.11 a
	16	7.05 a	10.38 a	18.74 a	24.8 a	9.21 a	13.75 a	23 a	30.78 a
	24	6.52 a	9.85 a	18.14 a	24.17 a	8.66 a	13.19 a	22.37 a	30.13 a
16	12	6.85 a	10.05 a	17.98 a	23.86 a	8.92 a	13.31 a	22.21 a	29.32 a
	16	6.51 a	9.72 a	17.61 a	23.47 a	8.57 a	12.95 a	21.82 a	28.91 a
	24	5.83 a	9.05 a	16.86 a	22.68 a	7.87 a	12.24 a	21.02 a	28.1 a

See Combined Axial and Lateral Load Table Notes on page 31.

Combined Axial and Lateral Load Tables



20 psf Lateral Load

Wall Height (ft)	Spacing (in.) o.c.	362S137-(mils)				362S162-(mils)					362S200-(mils)				
		33 ksi		50 ksi		33 ksi		50 ksi			33 ksi		50 ksi		
		33	43	54	68	33	43	54	68	97	33	43	54	68	97
8	12	0.96 a	1.58 a	2.71 a	3.7 a	1.32 a	2 a	3.54 a	4.72 a	7.08 a	1.67 a	2.69 a	4.55 a	7.4 a	8.78 a
	16	0.74 a	1.36 a	2.54 a	3.55 a	1.08 a	1.77 a	3.35 a	4.54 a	6.9 a	1.4 a	2.43 a	4.33 a	7.14 a	8.6 a
	24	0.31 c	0.92 b	2.18 a	3.24 a	0.6 b	1.31 a	2.96 a	4.19 a	6.55 a	0.87 b	1.92 a	3.88 a	6.62 a	8.22 a
9	12	0.77 a	1.37 a	2.45 a	3.4 a	1.09 a	1.75 a	3.21 a	4.31 a	6.5 a	1.41 a	2.39 a	4.12 a	6.78 a	8.05 a
	16	0.5 c	1.09 b	2.24 a	3.22 a	0.8 b	1.47 a	2.98 a	4.1 a	6.29 a	1.09 a	2.07 a	3.85 a	6.47 a	7.83 a
	24		0.55 d	1.81 c	2.84 b	0.21 d	0.91 c	2.51 b	3.69 a	5.87 a	0.44 c	1.45 b	3.32 a	5.85 a	7.39 a
10	12	0.56 c	1.13 b	2.17 a	3.07 a	0.85 b	1.4 a	2.86 a	3.88 a	5.87 a	1.14 a	2.07 a	3.67 a	6.08 a	7.27 a
	16	0.24 d	0.81 c	1.92 b	2.85 a	0.5 d	1.09 c	2.59 a	3.64 a	5.63 a	0.75 c	1.7 b	3.36 a	5.73 a	7.02 a
	24		0.16 e	1.42 d	2.42 c		0.47 d	2.05 c	3.16 b	5.15 a		0.96 d	2.75 c	5.02 b	6.52 a
12	12	0.12 e	0.64 d	1.59 c	2.38 b	0.35 e	0.99 d	2.1 c	2.98 b	4.57 a	0.57 d	1.42 c	2.72 b	4.63 a	5.67 a
	16		0.21 e	1.28 d	2.12 d		0.54 e	1.78 d	2.69 c	4.28 b	0.07 e	0.94 d	2.35 c	4.21 b	5.38 a
	24			0.66 e	1.58 e			1.12 e	2.11 e	3.72 d			1.62 e	3.37 d	4.79 c
14	12		0.16 e	1.06 e	1.75 d		0.44 e	1.45 e	2.2 d	3.46 c	0.02 e	0.78 e	1.9 d	3.4 c	4.34 b
	16			0.71 f	1.45 e			1.08 e	1.87 e	3.15 d		0.22 e	1.5 e	2.93 d	4.02 c
	24				0.84 f			0.35 f	1.22 f	2.53 e			0.68 f	2 e	3.37 e
16	12			0.61 f	1.22 e			0.92 f	1.57 e	2.6 d		0.23 f	1.26 e	2.43 e	3.31 d
	16			0.23 f	0.9 f			0.52 f	1.22 f	2.26 e			0.82 f	1.94 e	2.96 e
	24				0.24 f				0.52 f	1.59 f				0.94 f	2.27 f

20 psf Lateral Load

Wall Height (ft)	Spacing (in.) o.c.	362S250-(mils)				362S300-(mils)			600S137-(mils)				
		33 ksi		50 ksi		50 ksi			33 ksi		50 ksi		
		43	54	68	97	54	68	97	33	43	54	68	97
8	12	3.09 a	5.19 a	6.99 a	10.08 a	5.26 a	7.47 a	11.32 a	1.46 a	2.21 a	3.55 a	4.79 a	7.3 a
	16	2.82 a	4.95 a	6.76 a	9.86 a	5.02 a	7.22 a	11.1 a	1.33 a	2.08 a	3.44 a	4.68 a	7.21 a
	24	2.26 a	4.47 a	6.29 a	9.43 a	4.55 a	6.74 a	10.66 a	1.05 a	1.81 a	3.23 a	4.47 a	7.02 a
9	12	2.79 a	4.78 a	6.37 a	9.26 a	4.85 a	6.86 a	10.56 a	1.35 a	2.1 a	3.47 a	4.7 a	7.23 a
	16	2.45 a	4.49 a	6.09 a	9 a	4.57 a	6.57 a	10.29 a	1.18 a	1.93 a	3.33 a	4.57 a	7.11 a
	24	1.77 a	3.91 a	5.53 a	8.49 a	3.99 a	6 a	9.77 a	0.83 a	1.6 a	3.05 a	4.3 a	6.86 a
10	12	2.47 a	4.33 a	5.72 a	8.39 a	4.42 a	6.24 a	9.6 a	1.23 a	1.98 a	3.37 a	4.61 a	7.14 a
	16	2.06 a	3.99 a	5.4 a	8.1 a	4.08 a	5.9 a	9.3 a	1.02 a	1.78 a	3.2 a	4.44 a	6.99 a
	24	1.25 c	3.31 b	4.76 a	7.51 a	3.41 a	5.24 a	8.7 a	0.59 a	1.36 a	2.86 a	4.11 a	6.69 a
12	12	1.73 b	3.25 a	4.4 a	6.61 a	3.57 a	5 a	7.64 a	0.95 a	1.71 a	3.15 a	4.39 a	6.94 a
	16	1.21 d	2.84 c	4.01 a	6.26 a	3.14 b	4.59 a	7.27 a	0.64 a	1.41 a	2.9 a	4.15 a	6.73 a
	24	0.16 e	2.02 d	3.25 c	5.56 b	2.27 d	3.76 c	6.55 a	0.02 c	0.81 b	2.41 a	3.67 a	6.29 a
14	12	1.01 d	2.3 c	3.26 b	5.08 a	2.66 c	3.79 b	5.94 a	0.61 b	1.39 a	2.88 a	4.13 a	6.71 a
	16	0.39 e	1.84 d	2.84 d	4.7 b	2.16 d	3.32 c	5.54 b	0.19 d	0.98 b	2.55 a	3.8 a	6.41 a
	24		0.93 e	1.99 e	3.93 d	1.14 e	2.39 e	4.73 d		0.17 d	1.89 c	3.15 b	5.82 a
16	12	0.37 e	1.55 e	2.37 d	3.89 c	1.83 e	2.78 d	4.6 b	0.22 d	1.01 c	2.58 b	3.83 a	6.44 a
	16		1.06 e	1.91 e	3.47 d	1.28 e	2.27 e	4.16 d		0.48 d	2.14 c	3.4 b	6.05 a
	24		0.07 f	1 f	2.65 e	0.18 f	1.26 f	3.29 e			1.28 e	2.55 d	5.28 c

See Combined Axial and Lateral Load Table Notes on page 31.

Combined Axial and Lateral Load Tables



20 psf Lateral Load													
Wall Height (ft)	Spacing (in.) o.c.	600S162-(mils)						600S200-(mils)					
		33 ksi		50 ksi				33 ksi		50 ksi			
		33	43	54	68	97	118	33	43	54	68	97	118
8	12	2.11 a	3.09 a	5.3 a	7.14 a	11.06 a	13.89 a	2.51 a	3.92 a	6.99 a	9.42 a	14.89 a	19.18 a
	16	1.97 a	2.96 a	5.16 a	7.01 a	10.93 a	13.76 a	2.35 a	3.75 a	6.84 a	9.26 a	14.74 a	19.02 a
	24	1.68 a	2.68 a	4.9 a	6.76 a	10.67 a	13.49 a	2.03 a	3.42 a	6.52 a	8.94 a	14.43 a	18.69 a
9	12	1.99 a	2.98 a	5.19 a	7.04 a	10.95 a	13.79 a	2.36 a	3.75 a	6.78 a	9.17 a	14.58 a	18.8 a
	16	1.81 a	2.81 a	5.02 a	6.88 a	10.79 a	13.62 a	2.17 a	3.55 a	6.58 a	8.97 a	14.39 a	18.6 a
	24	1.45 a	2.46 a	4.69 a	6.56 a	10.46 a	13.28 a	1.77 a	3.14 a	6.19 a	8.58 a	14.01 a	18.2 a
10	12	1.85 a	2.84 a	5.06 a	6.93 a	10.84 a	13.67 a	2.21 a	3.57 a	6.53 a	8.89 a	14.21 a	18.35 a
	16	1.63 a	2.63 a	4.85 a	6.73 a	10.64 a	13.46 a	1.96 a	3.32 a	6.29 a	8.64 a	13.98 a	18.1 a
	24	1.18 a	2.2 a	4.44 a	6.34 a	10.23 a	13.04 a	1.48 a	2.81 a	5.81 a	8.16 a	13.51 a	17.61 a
12	12	1.52 a	2.51 a	4.64 a	6.54 a	10.57 a	13.39 a	1.84 a	3.14 a	5.94 a	8.19 a	13.29 a	17.2 a
	16	1.21 a	2.2 a	4.35 a	6.26 a	10.28 a	13.09 a	1.5 a	2.79 a	5.61 a	7.86 a	12.97 a	16.86 a
	24	0.58 c	1.6 a	3.78 a	5.71 a	9.69 a	12.49 a	0.81 b	2.09 a	4.95 a	7.2 a	12.33 a	16.19 a
14	12	1.15 a	2.11 a	4.13 a	5.95 a	9.93 a	13.07 a	1.42 a	2.65 a	5.24 a	7.35 a	12.12 a	15.73 a
	16	0.73 c	1.71 b	3.75 a	5.59 a	9.54 a	12.66 a	0.97 b	2.19 a	4.81 a	6.92 a	11.72 a	15.31 a
	24		0.92 d	3.01 c	4.87 a	8.77 a	11.84 a	0.07 d	1.27 c	3.97 b	6.08 a	10.9 a	14.45 a
16	12	0.73 c	1.67 b	3.53 a	5.23 a	8.89 a	11.74 a	0.96 c	2.1 a	4.46 a	6.4 a	10.79 a	14.04 a
	16	0.22 d	1.17 d	3.07 c	4.8 a	8.42 a	11.24 a	0.4 d	1.54 c	3.95 b	5.89 a	10.3 a	13.53 a
	24		0.18 e	2.17 d	3.92 c	7.49 b	10.26 a		0.4 d	2.94 d	4.87 c	9.32 a	12.51 a

20 psf Lateral Load														
Wall Height (ft)	Spacing (in.) o.c.	600S250-(mils)					600S300-(mils)				600S350-(mils)			
		33 ksi		50 ksi			50 ksi				50 ksi			
		43	54	68	97	118	54	68	97	118	54	68	97	118
8	12	4.27 a	7.24 a	10.54 a	17.49 a	22.36 a	7.55 a	10.73 a	18.8 a	24.47 a	9.83 a	14.32 a	23.41 a	30.95 a
	16	4.1 a	7.08 a	10.37 a	17.3 a	22.17 a	7.39 a	10.56 a	18.62 a	24.28 a	9.67 a	14.13 a	23.21 a	30.75 a
	24	3.76 a	6.77 a	10.02 a	16.93 a	21.79 a	7.07 a	10.22 a	18.25 a	23.89 a	9.33 a	13.77 a	22.81 a	30.34 a
9	12	4.1 a	7.03 a	10.26 a	17.06 a	21.85 a	7.33 a	10.46 a	18.35 a	23.93 a	9.56 a	13.97 a	22.88 a	30.13 a
	16	3.89 a	6.84 a	10.04 a	16.83 a	21.61 a	7.13 a	10.25 a	18.12 a	23.69 a	9.35 a	13.74 a	22.63 a	29.88 a
	24	3.46 a	6.45 a	9.61 a	16.36 a	21.13 a	6.74 a	9.82 a	17.66 a	23.21 a	8.93 a	13.29 a	22.14 a	29.37 a
10	12	3.91 a	6.8 a	9.94 a	16.56 a	21.24 a	7.09 a	10.15 a	17.82 a	23.31 a	9.25 a	13.57 a	22.3 a	29.21 a
	16	3.65 a	6.56 a	9.68 a	16.28 a	20.95 a	6.85 a	9.89 a	17.54 a	23.03 a	8.99 a	13.3 a	22 a	28.9 a
	24	3.13 a	6.08 a	9.16 a	15.72 a	20.38 a	6.37 a	9.38 a	16.99 a	22.45 a	8.48 a	12.75 a	21.4 a	28.29 a
12	12	3.48 a	6.24 a	9.2 a	15.37 a	19.78 a	6.52 a	9.47 a	16.6 a	21.89 a	8.54 a	12.67 a	20.99 a	27.08 a
	16	3.12 a	5.91 a	8.84 a	14.98 a	19.38 a	6.19 a	9.12 a	16.21 a	21.49 a	8.19 a	12.29 a	20.57 a	26.66 a
	24	2.38 a	5.25 a	8.12 a	14.22 a	18.59 a	5.52 a	8.41 a	15.45 a	20.7 a	7.49 a	11.53 a	19.75 a	25.84 a
14	12	2.99 a	5.63 a	8.34 a	13.94 a	18.01 a	5.86 a	8.7 a	15.19 a	20.32 a	7.73 a	11.63 a	19.32 a	24.66 a
	16	2.5 a	5.2 a	7.87 a	13.46 a	17.51 a	5.43 a	8.24 a	14.7 a	19.81 a	7.28 a	11.14 a	18.79 a	24.14 a
	24	1.53 b	4.34 a	6.95 a	12.48 a	16.51 a	4.57 a	7.31 a	13.72 a	18.78 a	6.37 a	10.16 a	17.74 a	23.1 a
16	12	2.44 a	5 a	7.42 a	12.37 a	16.05 a	5.15 a	7.85 a	13.68 a	18.21 a	6.86 a	10.49 a	17.22 a	22.07 a
	16	1.83 b	4.47 a	6.86 a	11.79 a	15.45 a	4.62 a	7.27 a	13.09 a	17.59 a	6.3 a	9.89 a	16.59 a	21.45 a
	24	0.62 d	3.39 c	5.72 b	10.62 a	14.26 a	3.56 c	6.12 b	11.91 a	16.36 a	5.2 b	8.7 a	15.32 a	20.21 a

See Combined Axial and Lateral Load Table Notes on page 31.

Combined Axial and Lateral Load Tables



20 psf Lateral Load

Wall Height (ft)	Spacing (in.) o.c.	800S137-(mils)					800S162-(mils)					
		33 ksi		50 ksi			33 ksi		50 ksi			
		33	43	54	68	97	33	43	54	68	97	118
8	12	1.44 a*	2.22 a	3.39 a	4.57 a	7.09 a	2.07 a*	3.1 a	5.2 a	7.02 a	11.05 a	14.11 a
	16	1.33 a*	2.13 a	3.32 a	4.5 a	7.02 a	1.93 a*	2.99 a	5.11 a	6.92 a	10.96 a	14.02 a
	24	1.1 a*	1.94 a	3.17 a	4.36 a	6.9 a	1.65 a*	2.77 a	4.91 a	6.73 a	10.79 a	13.85 a
9	12	1.35 a*	2.15 a	3.34 a	4.52 a	7.04 a	1.96 a*	3.01 a	5.13 a	6.94 a	10.98 a	14.04 a
	16	1.21 a*	2.03 a	3.24 a	4.43 a	6.96 a	1.78 a*	2.87 a	5 a	6.82 a	10.87 a	13.93 a
	24	0.92 a*	1.8 a	3.06 a	4.25 a	6.79 a	1.43 a*	2.59 a	4.76 a	6.58 a	10.65 a	13.71 a
10	12	1.25 a*	2.06 a	3.27 a	4.46 a	6.98 a	1.83 a*	2.92 a	5.04 a	6.86 a	10.9 a	13.96 a
	16	1.07 a*	1.92 a	3.16 a	4.35 a	6.88 a	1.62 a*	2.74 a	4.89 a	6.71 a	10.77 a	13.83 a
	24	0.72 a*	1.63 a	2.93 a	4.12 a	6.68 a	1.18 a*	2.39 a	4.58 a	6.41 a	10.49 a	13.55 a
12	12	1.02 a*	1.87 a	3.12 a	4.31 a	6.85 a	1.55 a*	2.69 a	4.84 a	6.66 a	10.72 a	13.78 a
	16	0.76 a*	1.67 a	2.96 a	4.15 a	6.7 a	1.23 a*	2.44 a	4.62 a	6.45 a	10.53 a	13.59 a
	24	0.24 a*	1.25 a	2.63 a	3.83 a	6.42 a	0.61 a*	1.94 a	4.18 a	6.02 a	10.13 a	13.19 a
14	12	0.74 a*	1.65 a	2.94 a	4.14 a	6.69 a	1.21 a*	2.42 a	4.6 a	6.43 a	10.51 a	13.57 a
	16	0.39 a*	1.37 a	2.72 a	3.92 a	6.5 a	0.78 a*	2.07 a	4.3 a	6.14 a	10.24 a	13.3 a
	24	0.8 a	2.27 a	3.49 a	4.9 a	6.11 a	1.39 a	3.7 a	5.56 a	9.7 a	12.76 a	
16	12	0.42 a*	1.39 a	2.74 a	3.94 a	6.51 a	0.82 a*	2.1 a	4.33 a	6.17 a	10.26 a	13.32 a
	16		1.02 a	2.44 a	3.66 a	6.26 a	0.26 b*	1.66 a	3.94 a	5.79 a	9.91 a	12.97 a
	24		0.28 c	1.86 b	3.09 a	5.75 a		0.77 b	3.16 a	5.03 a	9.21 a	12.27 a

20 psf Lateral Load

Wall Height (ft)	Spacing (in.) o.c.	800S200-(mils)					800S250-(mils)					
		33 ksi		50 ksi			33 ksi	50 ksi				
		33	43	54	68	97	118	43	54	68	97	118
8	12	2.62 a*	4.23 a	7.49 a	10.02 a	15.72 a	20.18 a	4.61 a	7.86 a	11.46 a	19.24 a	25.11 a
	16	2.47 a*	4.11 a	7.38 a	9.91 a	15.61 a	20.07 a	4.49 a	7.75 a	11.33 a	19.11 a	24.97 a
	24	2.16 a*	3.88 a	7.15 a	9.69 a	15.4 a	19.85 a	4.24 a	7.51 a	11.09 a	18.83 a	24.68 a
9	12	2.5 a*	4.14 a	7.4 a	9.93 a	15.63 a	20.09 a	4.5 a	7.74 a	11.32 a	19.06 a	24.86 a
	16	2.31 a*	3.99 a	7.26 a	9.79 a	15.5 a	19.95 a	4.34 a	7.59 a	11.16 a	18.89 a	24.67 a
	24	1.93 a*	3.7 a	6.97 a	9.51 a	15.23 a	19.67 a	4.03 a	7.29 a	10.85 a	18.54 a	24.31 a
10	12	2.36 a*	4.03 a	7.3 a	9.83 a	15.54 a	20 a	4.37 a	7.59 a	11.16 a	18.84 a	24.55 a
	16	2.13 a*	3.85 a	7.12 a	9.66 a	15.37 a	19.82 a	4.18 a	7.41 a	10.97 a	18.63 a	24.33 a
	24	1.66 a*	3.49 a	6.77 a	9.31 a	15.04 a	19.47 a	3.79 a	7.04 a	10.59 a	18.21 a	23.88 a
12	12	2.05 a*	3.79 a	7.06 a	9.6 a	15.32 a	19.76 a	4.08 a	7.24 a	10.77 a	18.31 a	23.77 a
	16	1.71 a*	3.53 a	6.81 a	9.35 a	15.08 a	19.51 a	3.8 a	6.98 a	10.5 a	18.01 a	23.45 a
	24	1.03 a*	3.01 a	6.3 a	8.85 a	14.6 a	19.01 a	3.25 a	6.46 a	9.96 a	17.41 a	22.82 a
14	12	1.66 a*	3.45 a	6.63 a	9.16 a	14.97 a	19.49 a	3.72 a	6.8 a	10.2 a	17.45 a	22.71 a
	16	1.21 a*	3.11 a	6.29 a	8.82 a	14.65 a	19.15 a	3.35 a	6.46 a	9.84 a	17.05 a	22.3 a
	24	0.3 a*	2.42 a	5.62 a	8.15 a	14 a	18.47 a	2.61 a	5.77 a	9.12 a	16.25 a	21.47 a
16	12	1.22 a*	3.06 a	6.1 a	8.54 a	14.17 a	18.63 a	3.31 a	6.28 a	9.52 a	16.36 a	21.39 a
	16	0.64 a*	2.62 a	5.67 a	8.12 a	13.76 a	18.19 a	2.84 a	5.85 a	9.06 a	15.87 a	20.87 a
	24		1.74 a	4.82 a	7.28 a	12.94 a	17.33 a	1.89 a	4.98 a	8.15 a	14.87 a	19.84 a

See Combined Axial and Lateral Load Table Notes on page 33.

Combined Axial and Lateral Load Tables



20 psf Lateral Load									
Wall Height (ft)	Spacing (in.) o.c.	800S300-(mils)				800S350-(mils)			
		50 ksi				50 ksi			
		54	68	97	118	54	68	97	118
8	12	8.2 a	11.73 a	21.01 a	27.47 a	10.64 a	15.44 a	25.53 a	33.97 a
	16	8.08 a	11.61 a	20.87 a	27.33 a	10.51 a	15.31 a	25.38 a	33.82 a
	24	7.83 a	11.37 a	20.59 a	27.03 a	10.26 a	15.05 a	25.09 a	33.51 a
9	12	8.06 a	11.57 a	20.75 a	27.17 a	10.47 a	15.24 a	25.28 a	33.62 a
	16	7.91 a	11.42 a	20.58 a	26.99 a	10.3 a	15.07 a	25.1 a	33.43 a
	24	7.6 a	11.11 a	20.23 a	26.62 a	9.98 a	14.74 a	24.73 a	33.04 a
10	12	7.9 a	11.39 a	20.45 a	26.82 a	10.26 a	15 a	24.95 a	33.21 a
	16	7.71 a	11.2 a	20.23 a	26.6 a	10.07 a	14.8 a	24.72 a	32.98 a
	24	7.33 a	10.82 a	19.81 a	26.15 a	9.67 a	14.4 a	24.27 a	32.5 a
12	12	7.52 a	10.94 a	19.69 a	25.93 a	9.78 a	14.45 a	24.06 a	32.24 a
	16	7.25 a	10.67 a	19.39 a	25.62 a	9.51 a	14.16 a	23.74 a	31.91 a
	24	6.71 a	10.14 a	18.79 a	24.99 a	8.95 a	13.59 a	23.11 a	31.24 a
14	12	7.05 a	10.38 a	18.74 a	24.8 a	9.21 a	13.75 a	23 a	30.78 a
	16	6.69 a	10.02 a	18.34 a	24.38 a	8.84 a	13.38 a	22.58 a	30.34 a
	24	5.98 a	9.32 a	17.55 a	23.55 a	8.1 a	12.62 a	21.74 a	29.47 a
16	12	6.51 a	9.72 a	17.61 a	23.47 a	8.57 a	12.95 a	21.82 a	28.91 a
	16	6.06 a	9.27 a	17.11 a	22.94 a	8.1 a	12.48 a	21.29 a	28.37 a
	24	5.15 a	8.38 a	16.12 a	21.9 a	7.17 a	11.52 a	20.23 a	27.28 a

See Combined Axial and Lateral Load Table Notes on page 31.

Combined Axial and Lateral Load Tables



25 psf Lateral Load

Wall Height (ft)	Spacing (in.) o.c.	362S137-(mils)				362S162-(mils)					362S200-(mils)				
		33 ksi		50 ksi		33 ksi		50 ksi			33 ksi		50 ksi		
		33	43	54	68	33	43	54	68	97	33	43	54	68	97
8	12	0.8 a	1.41 a	2.58 a	3.58 a	1.14 a	1.83 a	3.4 a	4.58 a	6.95 a	1.47 a	2.49 a	4.38 a	7.21 a	8.64 a
	16	0.53 b	1.14 a	2.36 a	3.39 a	0.84 a	1.54 a	3.16 a	4.37 a	6.73 a	1.14 a	2.17 a	4.11 a	6.88 a	8.41 a
	24		0.58 c	1.92 b	3 a	0.24 c	0.97 b	2.67 a	3.93 a	6.28 a	0.48 c	1.53 a	3.55 a	6.23 a	7.94 a
9	12	0.57 c	1.16 a	2.29 a	3.26 a	0.87 b	1.54 a	3.04 a	4.16 a	6.34 a	1.17 a	2.15 a	3.92 a	6.55 a	7.88 a
	16	0.23 d	0.82 c	2.02 b	3.03 a	0.5 c	1.19 b	2.75 a	3.89 a	6.08 a	0.76 c	1.76 a	3.59 a	6.16 a	7.61 a
	24		0.14 d	1.49 d	2.56 c		0.49 d	2.16 c	3.37 b	5.56 a		0.98 c	2.93 b	5.39 a	7.06 a
10	12	0.32 d	0.89 c	1.98 b	2.9 a	0.59 c	1.16 b	2.66 a	3.7 a	5.69 a	0.85 c	1.79 a	3.44 a	5.82 a	7.08 a
	16		0.48 d	1.67 c	2.64 b	0.15 d	0.78 d	2.32 c	3.4 a	5.39 a	0.37 d	1.33 c	3.06 b	5.37 a	6.77 a
	24			1.05 e	2.1 d			1.65 d	2.8 c	4.8 b		0.41 d	2.29 d	4.49 c	6.14 a
12	12		0.32 e	1.36 d	2.18 c	0.01 e	0.65 d	1.86 d	2.76 c	4.35 a	0.2 e	1.06 d	2.44 c	4.32 b	5.45 a
	16			0.97 e	1.85 d		0.09 e	1.45 e	2.4 d	4 c		0.47 e	1.99 d	3.79 c	5.08 b
	24			0.2 f	1.19 e			0.63 f	1.68 e	3.29 d			1.07 e	2.74 e	4.35 d
14	12			0.79 e	1.52 e		0.04 f	1.17 e	1.95 e	3.23 d		0.36 e	1.6 e	3.05 d	4.1 c
	16			0.35 f	1.15 f			0.71 f	1.55 e	2.84 e			1.09 e	2.47 e	3.69 d
	24				0.39 f				0.74 f	2.06 f			0.07 f	1.3 f	2.88 e
16	12			0.32 f	0.98 f			0.62 f	1.31 f	2.34 e			0.93 f	2.06 e	3.05 d
	16				0.57 f			0.12 f	0.87 f	1.93 f			0.38 f	1.44 f	2.61 e
	24								1.09 f				0.19 f	1.74 f	

25 psf Lateral Load

Wall Height (ft)	Spacing (in.) o.c.	362S300-(mils)			600S137-(mils)					600S162-(mils)					
		50 ksi			33 ksi		50 ksi			33 ksi		50 ksi			
		54	68	97	33	43	54	68	97	33	43	54	68	97	118
8	12	5.08 a	7.28 a	11.16 a	1.36 a	2.11 a	3.47 a	4.71 a	7.23 a	2.01 a	2.99 a	5.2 a	7.05 a	10.96 a	13.79 a
	16	4.79 a	6.98 a	10.88 a	1.19 a	1.94 a	3.34 a	4.57 a	7.11 a	1.83 a	2.82 a	5.03 a	6.89 a	10.8 a	13.63 a
	24	4.2 a	6.38 a	10.33 a	0.84 a	1.61 a	3.06 a	4.31 a	6.87 a	1.47 a	2.47 a	4.7 a	6.58 a	10.47 a	13.29 a
9	12	4.64 a	6.64 a	10.36 a	1.22 a	1.98 a	3.36 a	4.6 a	7.14 a	1.85 a	2.85 a	5.06 a	6.92 a	10.83 a	13.66 a
	16	4.28 a	6.29 a	10.03 a	1.01 a	1.77 a	3.19 a	4.43 a	6.98 a	1.63 a	2.63 a	4.86 a	6.72 a	10.63 a	13.45 a
	24	3.56 a	5.57 a	9.37 a	0.57 a	1.35 a	2.85 a	4.09 a	6.68 a	1.17 a	2.2 a	4.44 a	6.33 a	10.21 a	13.03 a
10	12	4.17 a	5.99 a	9.38 a	1.07 a	1.83 a	3.24 a	4.48 a	7.03 a	1.68 a	2.68 a	4.9 a	6.78 a	10.69 a	13.51 a
	16	3.75 a	5.57 a	9 a	0.8 a	1.57 a	3.03 a	4.27 a	6.84 a	1.4 a	2.41 a	4.65 a	6.54 a	10.43 a	13.25 a
	24	2.91 c	4.74 a	8.24 a	0.26 b	1.05 a	2.61 a	3.86 a	6.46 a	0.85 a	1.88 a	4.13 a	6.05 a	9.93 a	12.73 a
12	12	3.25 b	4.69 a	7.36 a	0.72 a	1.49 a	2.96 a	4.21 a	6.78 a	1.29 a	2.28 a	4.43 a	6.33 a	10.35 a	13.17 a
	16	2.71 c	4.18 b	6.91 a	0.33 b	1.11 a	2.66 a	3.91 a	6.51 a	0.9 b	1.9 a	4.07 a	5.99 a	9.99 a	12.79 a
	24	1.62 a	3.14 d	6.01 b		0.36 c	2.05 b	3.31 a	5.97 a	0.12 d	1.15 b	3.35 a	5.3 a	9.26 a	12.04 a
14	12	2.28 d	3.44 c	5.64 a	0.3 c	1.08 b	2.63 a	3.88 a	6.49 a	0.84 c	1.81 a	3.85 a	5.68 a	9.64 a	12.76 a
	16	1.65 e	2.85 d	5.13 c		0.57 c	2.22 b	3.47 a	6.12 a	0.32 d	1.32 c	3.38 b	5.23 a	9.16 a	12.25 a
	24	0.38 f	1.68 e	4.13 d			1.39 d	2.66 c	5.38 b		0.32 d	2.45 d	4.33 c	8.2 a	11.23 a
16	12	1.42 e	2.4 d	4.27 c		0.61 d	2.25 c	3.51 b	6.15 a	0.35 d	1.29 c	3.19 b	4.91 a	8.54 a	11.37 a
	16	0.73 f	1.77 e	3.73 d			1.71 d	2.97 c	5.67 b		0.67 d	2.62 d	4.36 c	7.96 a	10.75 a
	24		0.5 f	2.64 e			0.63 e	1.91 e	4.71 d			1.49 e	3.27 d	6.79 c	9.52 b

See Combined Axial and Lateral Load Table Notes on page 31.

Combined Axial and Lateral Load Tables



25 psf Lateral Load

Wall Height (ft)	Spacing (in.) o.c.	600S200-(mils)						600S250-(mils)					600S300-(mils)			
		33 ksi		50 ksi				33 ksi		50 ksi			50 ksi			
		33	43	54	68	97	118	43	54	68	97	118	54	68	97	118
8	12	2.39 a	3.79 a	6.88 a	9.3 a	14.78 a	19.06 a	4.14 a	7.12 a	10.41 a	17.35 a	22.22 a	7.43 a	10.6 a	18.67 a	24.32 a
	16	2.19 a	3.59 a	6.68 a	9.1 a	14.59 a	18.86 a	3.93 a	6.93 a	10.19 a	17.11 a	21.98 a	7.23 a	10.39 a	18.43 a	24.08 a
	24	1.79 a	3.18 a	6.28 a	8.7 a	14.2 a	18.45 a	3.5 a	6.54 a	9.76 a	16.65 a	21.5 a	6.84 a	9.97 a	17.97 a	23.6 a
9	12	2.22 a	3.6 a	6.63 a	9.02 a	14.44 a	18.65 a	3.94 a	6.89 a	10.1 a	16.89 a	21.67 a	7.18 a	10.3 a	18.17 a	23.75 a
	16	1.97 a	3.34 a	6.38 a	8.77 a	14.2 a	18.4 a	3.67 a	6.64 a	9.83 a	16.59 a	21.37 a	6.94 a	10.04 a	17.89 a	23.45 a
	24	1.47 a	2.83 a	5.89 a	8.28 a	13.72 a	17.89 a	3.14 a	6.15 a	9.29 a	16.01 a	20.77 a	6.44 a	9.51 a	17.31 a	22.85 a
10	12	2.02 a	3.38 a	6.35 a	8.7 a	14.04 a	18.16 a	3.72 a	6.62 a	9.75 a	16.35 a	21.03 a	6.91 a	9.96 a	17.61 a	23.1 a
	16	1.72 a	3.07 a	6.05 a	8.4 a	13.75 a	17.86 a	3.39 a	6.32 a	9.42 a	16 a	20.67 a	6.61 a	9.64 a	17.27 a	22.74 a
	24	1.11 a	2.44 a	5.45 a	7.8 a	13.17 a	17.25 a	2.74 a	5.73 a	8.77 a	15.3 a	19.94 a	6.01 a	9 a	16.57 a	22.01 a
12	12	1.58 a	2.88 a	5.69 a	7.94 a	13.05 a	16.94 a	3.21 a	5.99 a	8.93 a	15.08 a	19.48 a	6.27 a	9.21 a	16.31 a	21.59 a
	16	1.16 a	2.44 a	5.28 a	7.53 a	12.65 a	16.52 a	2.75 a	5.58 a	8.48 a	14.6 a	18.99 a	5.85 a	8.76 a	15.83 a	21.1 a
	24	0.3 c	1.56 b	4.45 a	6.7 a	11.85 a	15.69 a	1.83 a	4.76 a	7.58 a	13.64 a	18 a	5.02 a	7.87 a	14.88 a	20.1 a
14	12	1.08 b	2.3 a	4.92 a	7.03 a	11.82 a	15.41 a	2.62 a	5.31 a	7.99 a	13.58 a	17.64 a	5.54 a	8.35 a	14.82 a	19.94 a
	16	0.52 c	1.73 b	4.39 a	6.5 a	11.31 a	14.88 a	2.02 a	4.77 a	7.41 a	12.97 a	17.01 a	5 a	7.77 a	14.21 a	19.3 a
	24		0.58 d	3.33 c	5.44 b	10.29 a	13.81 a	0.81 c	3.7 b	6.25 a	11.75 a	15.76 a	3.92 b	6.61 a	12.99 a	18.01 a
16	12	0.54 d	1.68 c	4.08 a	6.02 a	10.42 a	13.66 a	1.98 b	4.6 a	7 a	11.93 a	15.6 a	4.75 a	7.42 a	13.24 a	17.75 a
	16		0.97 d	3.44 c	5.38 b	9.81 a	13.02 a	1.22 c	3.93 b	6.29 a	11.2 a	14.86 a	4.09 b	6.7 a	12.5 a	16.98 a
	24			2.17 d	4.11 d	8.59 b	11.74 a		2.59 d	4.87 c	9.74 b	13.36 a	2.76 d	5.26 c	11.03 a	15.44 a

25 psf Lateral Load

Wall Height (ft)	Spacing (in.) o.c.	800S137-(mils)					800S162-(mils)					
		33 ksi		50 ksi			33 ksi		50 ksi			
		33	43	54	68	97	33	43	54	68	97	118
8	12	1.36 a*	2.15 a	3.34 a	4.52 a	7.04 a	1.96 a*	3.02 a	5.13 a	6.95 a	10.98 a	14.05 a
	16	1.22 a*	2.03 a	3.25 a	4.43 a	6.96 a	1.79 a*	2.88 a	5.01 a	6.83 a	10.88 a	13.94 a
	24	0.93 a*	1.8 a	3.06 a	4.26 a	6.8 a	1.44 a*	2.6 a	4.76 a	6.59 a	10.66 a	13.72 a
9	12	1.24 a*	2.06 a	3.27 a	4.45 a	6.98 a	1.83 a*	2.91 a	5.03 a	6.85 a	10.9 a	13.96 a
	16	1.06 a*	1.91 a	3.15 a	4.34 a	6.87 a	1.61 a*	2.73 a	4.88 a	6.7 a	10.76 a	13.82 a
	24	0.7 a*	1.62 a	2.92 a	4.12 a	6.67 a	1.17 a*	2.38 a	4.57 a	6.4 a	10.48 a	13.54 a
10	12	1.12 a*	1.96 a	3.18 a	4.37 a	6.9 a	1.67 a*	2.79 a	4.92 a	6.75 a	10.8 a	13.86 a
	16	0.89 a*	1.78 a	3.04 a	4.23 a	6.78 a	1.4 a*	2.57 a	4.73 a	6.56 a	10.63 a	13.69 a
	24	0.45 a*	1.41 a	2.76 a	3.96 a	6.53 a	0.86 a*	2.13 a	4.35 a	6.19 a	10.29 a	13.35 a
12	12	0.82 a*	1.72 a	3 a	4.19 a	6.74 a	1.31 a*	2.5 a	4.67 a	6.5 a	10.57 a	13.64 a
	16	0.5 a*	1.46 a	2.79 a	3.99 a	6.56 a	0.92 a*	2.19 a	4.4 a	6.24 a	10.33 a	13.39 a
	24		0.94 a	2.38 a	3.6 a	6.2 a	0.14 a*	1.56 a	3.85 a	5.7 a	9.84 a	12.9 a
14	12	0.47 a*	1.44 a	2.77 a	3.98 a	6.55 a	0.89 a*	2.16 a	4.38 a	6.21 a	10.31 a	13.37 a
	16	0.04 a*	1.08 a	2.49 a	3.71 a	6.3 a	0.36 a*	1.73 a	4 a	5.85 a	9.97 a	13.03 a
	24		0.38 b	1.94 a	3.17 a	5.82 a		0.88 a	3.26 a	5.13 a	9.3 a	12.36 a
16	12	0.07 b*	1.11 a	2.52 a	3.73 a	6.32 a	0.4 a*	1.77 a	4.03 a	5.88 a	10 a	13.06 a
	16		0.65 b	2.15 a	3.38 a	6.01 a		1.21 a	3.55 a	5.41 a	9.56 a	12.62 a
	24			1.42 c	2.67 b	5.37 a		0.1 c	2.57 b	4.46 a	8.69 a	11.75 a

See Combined Axial and Lateral Load Table Notes on page 31.

Combined Axial and Lateral Load Tables



25 psf Lateral Load												
Wall Height (ft)	Spacing (in.) o.c.	800S200-(mils)						800S250-(mils)				
		33 ksi		50 ksi				33 ksi		50 ksi		
		33	43	54	68	97	118	43	54	68	97	118
8	12	2.5 a*	4.14 a	7.41 a	9.94 a	15.64 a	20.1 a	4.52 a	7.78 a	11.36 a	19.14 a	25 a
	16	2.32 a*	4 a	7.26 a	9.8 a	15.5 a	19.96 a	4.36 a	7.63 a	11.21 a	18.97 a	24.82 a
	24	1.94 a*	3.71 a	6.98 a	9.52 a	15.24 a	19.68 a	4.05 a	7.33 a	10.9 a	18.63 a	24.46 a
9	12	2.35 a*	4.03 a	7.29 a	9.83 a	15.53 a	19.99 a	4.38 a	7.63 a	11.2 a	18.93 a	24.72 a
	16	2.12 a*	3.85 a	7.12 a	9.65 a	15.36 a	19.81 a	4.19 a	7.44 a	11.01 a	18.71 a	24.49 a
	24	1.64 a*	3.48 a	6.76 a	9.3 a	15.02 a	19.46 a	3.79 a	7.07 a	10.62 a	18.28 a	24.04 a
10	12	2.19 a*	3.9 a	7.17 a	9.7 a	15.41 a	19.86 a	4.23 a	7.45 a	11.02 a	18.69 a	24.38 a
	16	1.89 a*	3.67 a	6.95 a	9.48 a	15.2 a	19.65 a	3.99 a	7.23 a	10.78 a	18.42 a	24.11 a
	24	1.31 a*	3.23 a	6.51 a	9.05 a	14.79 a	19.21 a	3.5 a	6.77 a	10.3 a	17.89 a	23.55 a
12	12	1.79 a*	3.59 a	6.87 a	9.41 a	15.14 a	19.58 a	3.87 a	7.05 a	10.57 a	18.09 a	23.53 a
	16	1.37 a*	3.27 a	6.55 a	9.1 a	14.84 a	19.26 a	3.52 a	6.72 a	10.23 a	17.71 a	23.14 a
	24	0.53 a*	2.63 a	5.92 a	8.48 a	14.24 a	18.64 a	2.83 a	6.07 a	9.55 a	16.96 a	22.35 a
14	12	1.32 a*	3.19 a	6.38 a	8.91 a	14.73 a	19.24 a	3.44 a	6.54 a	9.93 a	17.15 a	22.4 a
	16	0.75 a*	2.76 a	5.96 a	8.49 a	14.32 a	18.81 a	2.98 a	6.11 a	9.48 a	16.65 a	21.88 a
	24	1.9 a	3.19 a	5.11 a	7.65 a	13.51 a	17.96 a	2.05 a	5.25 a	8.58 a	15.66 a	20.85 a
16	12	0.79 a*	2.73 a	5.78 a	8.23 a	13.86 a	18.3 a	2.96 a	5.96 a	9.18 a	15.99 a	21 a
	16	0.06 b*	2.18 a	5.25 a	7.7 a	13.35 a	17.76 a	2.37 a	5.41 a	8.61 a	15.37 a	20.35 a
	24		1.08 c	4.18 a	6.65 a	12.33 a	16.68 a	1.18 b	4.32 a	7.47 a	14.12 a	19.06 a

25 psf Lateral Load									
Wall Height (ft)	Spacing (in.) o.c.	800S300-(mils)				800S350-(mils)			
		50 ksi				50 ksi			
		54	68	97	118	54	68	97	118
8	12	8.11 a	11.64 a	20.9 a	27.36 a	10.55 a	15.34 a	25.42 a	33.86 a
	16	7.96 a	11.49 a	20.73 a	27.18 a	10.39 a	15.18 a	25.24 a	33.67 a
	24	7.65 a	11.18 a	20.38 a	26.82 a	10.06 a	14.85 a	24.87 a	33.28 a
9	12	7.95 a	11.46 a	20.62 a	27.04 a	10.34 a	15.11 a	25.14 a	33.48 a
	16	7.75 a	11.26 a	20.4 a	26.81 a	10.14 a	14.91 a	24.91 a	33.23 a
	24	7.36 a	10.88 a	19.96 a	26.35 a	9.74 a	14.49 a	24.45 a	32.75 a
10	12	7.76 a	11.25 a	20.29 a	26.65 a	10.12 a	14.85 a	24.78 a	33.03 a
	16	7.52 a	11.01 a	20.02 a	26.37 a	9.87 a	14.6 a	24.5 a	32.74 a
	24	7.05 a	10.54 a	19.49 a	25.81 a	9.37 a	14.1 a	23.93 a	32.15 a
12	12	7.32 a	10.74 a	19.47 a	25.69 a	9.57 a	14.23 a	23.82 a	31.99 a
	16	6.98 a	10.4 a	19.09 a	25.3 a	9.23 a	13.87 a	23.43 a	31.58 a
	24	6.31 a	9.74 a	18.34 a	24.51 a	8.53 a	13.16 a	22.63 a	30.74 a
14	12	6.78 a	10.11 a	18.44 a	24.49 a	8.94 a	13.47 a	22.69 a	30.45 a
	16	6.34 a	9.67 a	17.95 a	23.97 a	8.47 a	13 a	22.16 a	29.91 a
	24	5.44 a	8.79 a	16.96 a	22.93 a	7.55 a	12.05 a	21.11 a	28.81 a
16	12	6.17 a	9.39 a	17.24 a	23.07 a	8.22 a	12.6 a	21.42 a	28.5 a
	16	5.61 a	8.83 a	16.62 a	22.42 a	7.63 a	12 a	20.76 a	27.82 a
	24	4.47 a	7.72 a	15.38 a	21.12 a	6.47 a	10.81 a	19.43 a	26.47 a

See Combined Axial and Lateral Load Table Notes on page 31.

Combined Axial and Lateral Load Tables



30 psf Lateral Load															
Wall Height (ft)	Spacing (in.) o.c.	362S137-(mils)				362S162-(mils)					362S200-(mils)				
		33 ksi		50 ksi		33 ksi		50 ksi			33 ksi		50 ksi		
		33	43	54	68	33	43	54	68	97	33	43	54	68	97
8	12	0.63 b	1.25 a	2.45 a	3.47 a	0.96 a	1.66 a	3.25 a	4.45 a	6.82 a	1.27 a	2.3 a	4.22 a	7.01 a	8.5 a
	16	0.31 c	0.92 b	2.18 a	3.24 a	0.6 b	1.31 a	2.96 a	4.19 a	6.55 a	0.87 b	1.92 a	3.88 a	6.62 a	8.22 a
	24		0.25 d	1.65 c	2.77 b		0.63 c	2.38 b	3.67 a	6.02 a	0.08 d	1.15 b	3.22 a	5.84 a	7.66 a
9	12	0.36 c	0.96 b	2.13 a	3.12 a	0.65 c	1.33 a	2.86 a	4 a	6.19 a	0.93 b	1.92 a	3.72 a	6.32 a	7.72 a
	16		0.55 d	1.81 c	2.84 b	0.21 d	0.91 c	2.51 b	3.69 a	5.87 a	0.44 c	1.45 b	3.32 a	5.85 a	7.39 a
	24			1.17 d	2.29 d		0.07 d	1.82 d	3.06 c	5.24 a		0.51 d	2.53 c	4.92 b	6.73 a
10	12	0.07 e	0.65 d	1.79 c	2.74 b	0.33 d	0.93 c	2.45 b	3.52 a	5.51 a	0.56 c	1.52 b	3.21 a	5.55 a	6.89 a
	16		0.16 e	1.42 d	2.42 c		0.47 d	2.05 c	3.16 b	5.15 a		0.96 d	2.75 c	5.02 b	6.52 a
	24			0.68 e	1.77 e			1.24 e	2.44 d	4.44 c			1.84 d	3.96 d	5.77 b
12	12			1.13 e	1.98 d		0.32 e	1.61 d	2.54 d	4.14 b		0.7 d	2.17 d	4 c	5.23 a
	16			0.66 e	1.58 e			1.12 e	2.11 e	3.72 d			1.62 e	3.37 d	4.79 c
	24				0.79 f			0.14 f	1.24 f	2.87 e			0.53 f	2.11 e	3.9 d
14	12			0.53 f	1.3 e			0.9 f	1.71 e	3 d			1.29 e	2.7 e	3.86 d
	16				0.84 f			0.35 f	1.22 f	2.53 e			0.68 f	2 e	3.37 e
	24								0.25 f	1.59 f				0.6 f	2.39 f
16	12			0.03 f	0.73 f			0.32 f	1.04 f	2.09 e			0.6 f	1.69 f	2.79 e
	16				0.24 f				0.52 f	1.59 f				0.94 f	2.27 f
	24								0.59 f						1.22 f

30 psf Lateral Load													
Wall Height (ft)	Spacing (in.) o.c.	362S250-(mils)				362S300-(mils)			600S137-(mils)				
		33 ksi		50 ksi		50 ksi			33 ksi		50 ksi		
		43	54	68	97	54	68	97	33	43	54	68	97
8	12	2.68 a	4.83 a	6.64 a	9.76 a	4.9 a	7.1 a	10.99 a	1.26 a	2.01 a	3.39 a	4.63 a	7.16 a
	16	2.26 a	4.47 a	6.29 a	9.43 a	4.55 a	6.74 a	10.66 a	1.05 a	1.81 a	3.23 a	4.47 a	7.02 a
	24	1.43 b	3.75 a	5.58 a	8.78 a	3.84 a	6.02 a	10 a	0.64 a	1.41 a	2.9 a	4.15 a	6.73 a
9	12	2.28 a	4.35 a	5.95 a	8.87 a	4.42 a	6.43 a	10.16 a	1.09 a	1.85 a	3.26 a	4.5 a	7.04 a
	16	1.77 a	3.91 a	5.53 a	8.49 a	3.99 a	6 a	9.77 a	0.83 a	1.6 a	3.05 a	4.3 a	6.86 a
	24	0.75 c	3.04 b	4.7 a	7.72 a	3.14 b	5.13 a	8.97 a	0.31 a	1.09 a	2.64 a	3.89 a	6.5 a
10	12	1.86 a	3.82 a	5.24 a	7.95 a	3.91 a	5.74 a	9.15 a	0.91 a	1.67 a	3.12 a	4.36 a	6.92 a
	16	1.25 c	3.31 b	4.76 a	7.51 a	3.41 a	5.24 a	8.7 a	0.59 a	1.36 a	2.86 a	4.11 a	6.69 a
	24	0.03 d	2.29 d	3.81 c	6.64 a	2.41 c	4.24 b	7.79 a		0.74 a	2.35 a	3.61 a	6.24 a
12	12	0.94 d	2.63 c	3.82 b	6.09 a	2.92 c	4.38 a	7.09 a	0.48 b	1.26 a	2.78 a	4.03 a	6.62 a
	16	0.16 e	2.02 d	3.25 c	5.56 b	2.27 d	3.76 c	6.55 a	0.02 c	0.81 b	2.41 a	3.67 a	6.29 a
	24		0.79 e	2.11 e	4.52 d	0.97 e	2.52 d	5.47 c			1.68 c	2.95 b	5.64 a
14	12	0.08 e	1.61 e	2.63 d	4.51 c	1.9 e	3.09 d	5.34 b		0.78 c	2.38 b	3.64 a	6.27 a
	16		0.93 e	1.99 e	3.93 d	1.14 e	2.39 e	4.73 d		0.17 d	1.89 c	3.15 b	5.82 a
	24		-0.44 f	0.72 f	2.77 e		0.98 f	3.52 e			0.89 e	2.17 d	4.94 c
16	12		0.81 f	1.68 e	3.27 d	1 f	2.02 e	3.95 d		0.21 d	1.93 d	3.19 c	5.86 a
	16		0.07 f	1 f	2.65 e	0.18 f	1.26 f	3.29 e			1.28 e	2.55 d	5.28 c
	24				1.4 f			1.99 f				1.27 e	4.13 d

See Combined Axial and Lateral Load Table Notes on page 31.

Combined Axial and Lateral Load Tables



30 psf Lateral Load													
Wall Height (ft)	Spacing (in.) o.c.	600S162-(mils)						600S200-(mils)					
		33 ksi		50 ksi				33 ksi		50 ksi			
		33	43	54	68	97	118	33	43	54	68	97	118
8	12	1.9 a	2.89 a	5.1 a	6.95 a	10.86 a	13.69 a	2.27 a	3.67 a	6.76 a	9.18 a	14.66 a	18.94 a
	16	1.68 a	2.68 a	4.9 a	6.76 a	10.67 a	13.49 a	2.03 a	3.42 a	6.52 a	8.94 a	14.43 a	18.69 a
	24	1.25 a	2.27 a	4.5 a	6.39 a	10.28 a	13.09 a	1.56 a	2.93 a	6.04 a	8.46 a	13.97 a	18.21 a
9	12	1.72 a	2.72 a	4.94 a	6.8 a	10.71 a	13.54 a	2.07 a	3.45 a	6.48 a	8.87 a	14.29 a	18.5 a
	16	1.45 a	2.46 a	4.69 a	6.56 a	10.46 a	13.28 a	1.77 a	3.14 a	6.19 a	8.58 a	14.01 a	18.2 a
	24	0.9 a	1.94 a	4.19 a	6.09 a	9.97 a	12.78 a	1.17 a	2.52 a	5.59 a	7.98 a	13.43 a	17.59 a
10	12	1.52 a	2.52 a	4.75 a	6.63 a	10.53 a	13.36 a	1.84 a	3.19 a	6.17 a	8.52 a	13.86 a	17.98 a
	16	1.18 a	2.2 a	4.44 a	6.34 a	10.23 a	13.04 a	1.48 a	2.81 a	5.81 a	8.16 a	13.51 a	17.61 a
	24	0.52 b	1.56 a	3.82 a	5.75 a	9.62 a	12.42 a	0.74 a	2.06 a	5.09 a	7.44 a	12.82 a	16.88 a
12	12	1.05 a	2.05 a	4.21 a	6.13 a	10.13 a	12.94 a	1.33 a	2.61 a	5.44 a	7.69 a	12.81 a	16.69 a
	16	0.58 c	1.6 a	3.78 a	5.71 a	9.69 a	12.49 a	0.81 b	2.09 a	4.95 a	7.2 a	12.33 a	16.19 a
	24		0.7 c	2.92 b	4.88 a	8.82 a	11.59 a		1.03 c	3.95 b	6.2 a	11.37 a	15.18 a
14	12	0.53 c	1.51 b	3.57 a	5.41 a	9.35 a	12.46 a	0.75 c	1.96 a	4.6 a	6.71 a	11.51 a	15.09 a
	16		0.92 d	3.01 c	4.87 a	8.77 a	11.84 a	0.07 d	1.27 c	3.97 b	6.08 a	10.9 a	14.45 a
	24			1.89 d	3.79 c	7.62 b	10.62 a		2.7 d	6.08 a	8.8 c	13.17 a	17.17 a
16	12		0.92 d	2.85 c	4.58 b	8.19 a	11 a	0.12 d	1.25 c	3.7 b	5.64 a	10.06 a	13.27 a
	16		0.18 e	2.17 d	3.92 c	7.49 b	10.26 a		0.4 d	2.94 d	4.87 c	9.32 a	12.51 a
	24			0.81 e	2.61 e	6.09 d	8.78 c			1.41 e	3.35 d	7.86 c	10.98 b

30 psf Lateral Load														
Wall Height (ft)	Spacing (in.) o.c.	600S250-(mils)					600S300-(mils)				600S350-(mils)			
		33 ksi		50 ksi			50 ksi				50 ksi			
		43	54	68	97	118	54	68	97	118	54	68	97	118
8	12	4.01 a	7.01 a	10.28 a	17.21 a	22.07 a	7.31 a	10.48 a	18.53 a	24.18 a	9.58 a	14.04 a	23.11 a	30.65 a
	16	3.76 a	6.77 a	10.02 a	16.93 a	21.79 a	7.07 a	10.22 a	18.25 a	23.89 a	9.33 a	13.77 a	22.81 a	30.34 a
	24	3.25 a	6.3 a	9.51 a	16.37 a	21.21 a	6.6 a	9.72 a	17.69 a	23.32 a	8.83 a	13.23 a	22.22 a	29.73 a
9	12	3.78 a	6.74 a	9.94 a	16.71 a	21.49 a	7.04 a	10.14 a	18 a	23.57 a	9.24 a	13.63 a	22.51 a	29.75 a
	16	3.46 a	6.45 a	9.61 a	16.36 a	21.13 a	6.74 a	9.82 a	17.66 a	23.21 a	8.93 a	13.29 a	22.14 a	29.37 a
	24	2.82 a	5.86 a	8.97 a	15.67 a	20.41 a	6.15 a	9.19 a	16.96 a	22.49 a	8.3 a	12.61 a	21.4 a	28.61 a
10	12	3.52 a	6.44 a	9.55 a	16.14 a	20.81 a	6.73 a	9.76 a	17.4 a	22.88 a	8.87 a	13.16 a	21.85 a	28.75 a
	16	3.13 a	6.08 a	9.16 a	15.72 a	20.38 a	6.37 a	9.38 a	16.99 a	22.45 a	8.48 a	12.75 a	21.4 a	28.29 a
	24	2.34 a	5.37 a	8.38 a	14.88 a	19.51 a	5.65 a	8.61 a	16.15 a	21.58 a	7.72 a	11.93 a	20.5 a	27.38 a
12	12	2.93 a	5.75 a	8.66 a	14.79 a	19.18 a	6.02 a	8.94 a	16.02 a	21.3 a	8.01 a	12.1 a	20.37 a	26.46 a
	16	2.38 a	5.25 a	8.12 a	14.22 a	18.59 a	5.52 a	8.41 a	15.45 a	20.7 a	7.49 a	11.53 a	19.75 a	25.84 a
	24	1.28 b	4.26 a	7.04 a	13.06 a	17.41 a	4.52 a	7.34 a	14.31 a	19.5 a	6.43 a	10.4 a	18.51 a	24.6 a
14	12	2.26 a	4.99 a	7.64 a	13.21 a	17.26 a	5.22 a	8 a	14.46 a	19.55 a	7.05 a	10.89 a	18.53 a	23.88 a
	16	1.53 b	4.34 a	6.95 a	12.48 a	16.51 a	4.57 a	7.31 a	13.72 a	18.78 a	6.37 a	10.16 a	17.74 a	23.1 a
	24	0.08 d	3.05 c	5.55 b	11.02 a	15.01 a	3.27 c	5.92 b	12.26 a	17.24 a	5.02 b	8.7 a	16.15 a	21.53 a
16	12	1.53 c	4.2 b	6.57 a	11.49 a	15.15 a	4.35 a	6.99 a	12.8 a	17.29 a	6.03 a	9.59 a	16.27 a	21.14 a
	16	0.62 d	3.39 c	5.72 b	10.62 a	14.26 a	3.56 c	6.12 b	11.91 a	16.36 a	5.2 b	8.7 a	15.32 a	20.21 a
	24		1.78 e	4.01 d	8.87 c	12.46 b	1.96 d	4.4 d	10.14 b	14.52 a	3.54 d	6.9 c	13.43 a	18.34 a

See Combined Axial and Lateral Load Table Notes on page 31.

Combined Axial and Lateral Load Tables



30 psf Lateral Load												
Wall Height (ft)	Spacing (in.) o.c.	800S137-(mils)					800S162-(mils)					118
		33 ksi		50 ksi			33 ksi		50 ksi			
		33	43	54	68	97	33	43	54	68	97	
8	12	1.27 a*	2.08 a	3.28 a	4.47 a	6.99 a	1.86 a*	2.94 a	5.06 a	6.88 a	10.92 a	13.98 a
	16	1.1 a*	1.94 a	3.17 a	4.36 a	6.9 a	1.65 a*	2.77 a	4.91 a	6.73 a	10.79 a	13.85 a
	24	0.76 a*	1.67 a	2.96 a	4.15 a	6.7 a	1.23 a*	2.44 a	4.62 a	6.45 a	10.53 a	13.59 a
9	12	1.14 a*	1.97 a	3.2 a	4.38 a	6.91 a	1.69 a*	2.8 a	4.94 a	6.76 a	10.81 a	13.88 a
	16	0.92 a*	1.8 a	3.06 a	4.25 a	6.79 a	1.43 a*	2.59 a	4.76 a	6.58 a	10.65 a	13.71 a
	24	0.48 a*	1.45 a	2.78 a	3.98 a	6.55 a	0.9 a*	2.17 a	4.39 a	6.22 a	10.32 a	13.38 a
10	12	0.98 a*	1.85 a	3.1 a	4.29 a	6.83 a	1.51 a*	2.66 a	4.81 a	6.64 a	10.7 a	13.76 a
	16	0.72 a*	1.63 a	2.93 a	4.12 a	6.68 a	1.18 a*	2.39 a	4.58 a	6.41 a	10.49 a	13.55 a
	24	0.18 a*	1.2 a	2.59 a	3.79 a	6.38 a	0.53 a*	1.87 a	4.12 a	5.97 a	10.08 a	13.14 a
12	12	0.63 a*	1.56 a	2.87 a	4.07 a	6.63 a	1.08 a*	2.31 a	4.51 a	6.34 a	10.43 a	13.49 a
	16	0.24 a*	1.25 a	2.63 a	3.83 a	6.42 a	0.61 a*	1.94 a	4.18 a	6.02 a	10.13 a	13.19 a
	24		0.63 a	2.13 a	3.36 a	5.99 a		1.19 a	3.52 a	5.38 a	9.54 a	12.6 a
14	12	0.21 a*	1.22 a	2.61 a	3.81 a	6.4 a	0.57 a*	1.9 a	4.15 a	6 a	10.11 a	13.17 a
	16		0.8 a	2.27 a	3.49 a	6.11 a		1.39 a	3.7 a	5.56 a	9.7 a	12.76 a
	24			1.6 b	2.84 a	5.52 a		0.37 b	2.81 a	4.69 a	8.9 a	11.96 a
16	12		0.84 a	2.3 a	3.52 a	6.13 a		1.44 a	3.74 a	5.6 a	9.74 a	12.8 a
	16		0.28 c	1.86 b	3.09 a	5.75 a		0.77 b	3.16 a	5.03 a	9.21 a	12.27 a
	24			0.98 d	2.25 c	4.99 a			1.99 c	3.89 b	8.16 a	11.22 a

30 psf Lateral Load												
Wall Height (ft)	Spacing (in.) o.c.	800S200-(mils)						800S250-(mils)				
		33 ksi		50 ksi				33 ksi	50 ksi			
		33	43	54	68	97	118	43	54	68	97	118
8	12	2.39 a*	4.06 a	7.32 a	9.85 a	15.56 a	20.02 a	4.43 a	7.69 a	11.27 a	19.04 a	24.89 a
	16	2.16 a*	3.88 a	7.15 a	9.69 a	15.4 a	19.85 a	4.24 a	7.51 a	11.09 a	18.83 a	24.68 a
	24	1.71 a*	3.54 a	6.81 a	9.35 a	15.08 a	19.51 a	3.86 a	7.16 a	10.72 a	18.42 a	24.25 a
9	12	2.21 a*	3.92 a	7.19 a	9.72 a	15.43 a	19.88 a	4.26 a	7.51 a	11.08 a	18.8 a	24.58 a
	16	1.93 a*	3.7 a	6.97 a	9.51 a	15.23 a	19.67 a	4.03 a	7.29 a	10.85 a	18.54 a	24.31 a
	24	1.35 a*	3.26 a	6.54 a	9.09 a	14.82 a	19.25 a	3.55 a	6.85 a	10.38 a	18.02 a	23.77 a
10	12	2.01 a*	3.76 a	7.04 a	9.57 a	15.29 a	19.73 a	4.08 a	7.32 a	10.87 a	18.53 a	24.22 a
	16	1.66 a*	3.49 a	6.77 a	9.31 a	15.04 a	19.47 a	3.79 a	7.04 a	10.59 a	18.21 a	23.88 a
	24	0.95 a*	2.96 a	6.24 a	8.79 a	14.54 a	18.95 a	3.21 a	6.5 a	10.01 a	17.57 a	23.22 a
12	12	1.54 a*	3.4 a	6.68 a	9.23 a	14.96 a	19.39 a	3.66 a	6.85 a	10.36 a	17.86 a	23.3 a
	16	1.03 a*	3.01 a	6.3 a	8.85 a	14.6 a	19.01 a	3.25 a	6.46 a	9.96 a	17.41 a	22.82 a
	24	0.02 a*	2.24 a	5.54 a	8.1 a	13.88 a	18.26 a	2.42 a	5.69 a	9.14 a	16.51 a	21.88 a
14	12	0.98 a*	2.93 a	6.12 a	8.66 a	14.48 a	18.98 a	3.17 a	6.28 a	9.66 a	16.85 a	22.09 a
	16	0.3 a*	2.42 a	5.62 a	8.15 a	14 a	18.47 a	2.61 a	5.77 a	9.12 a	16.25 a	21.47 a
	24		1.38 a	4.61 a	7.15 a	13.03 a	17.44 a	1.5 a	4.74 a	8.04 a	15.06 a	20.23 a
16	12	0.35 a*	2.4 a	5.46 a	7.91 a	13.56 a	17.98 a	2.6 a	5.63 a	8.83 a	15.62 a	20.61 a
	16		1.74 a	4.82 a	7.28 a	12.94 a	17.33 a	1.89 a	4.98 a	8.15 a	14.87 a	19.84 a
	24		0.42 c	3.55 b	6.01 a	11.72 a	16.03 a	0.47 c	3.67 b	6.79 a	13.38 a	18.28 a

See Combined Axial and Lateral Load Table Notes on page 31.

Combined Axial and Lateral Load Tables



30 psf Lateral Load

Wall Height (ft)	Spacing (in.) o.c.	800S300-(mils)				800S350-(mils)			
		50 ksi				50 ksi			
		54	68	97	118	54	68	97	118
8	12	8.02 a	11.55 a	20.8 a	27.25 a	10.45 a	15.24 a	25.31 a	33.74 a
	16	7.83 a	11.37 a	20.59 a	27.03 a	10.26 a	15.05 a	25.09 a	33.51 a
	24	7.46 a	11 a	20.17 a	26.6 a	9.87 a	14.65 a	24.65 a	33.05 a
9	12	7.83 a	11.34 a	20.49 a	26.9 a	10.22 a	14.99 a	25 a	33.33 a
	16	7.6 a	11.11 a	20.23 a	26.62 a	9.98 a	14.74 a	24.73 a	33.04 a
	24	7.13 a	10.65 a	19.7 a	26.08 a	9.49 a	14.25 a	24.17 a	32.46 a
10	12	7.62 a	11.11 a	20.13 a	26.48 a	9.97 a	14.7 a	24.61 a	32.86 a
	16	7.33 a	10.82 a	19.81 a	26.15 a	9.67 a	14.4 a	24.27 a	32.5 a
	24	6.76 a	10.26 a	19.17 a	25.48 a	9.07 a	13.79 a	23.59 a	31.8 a
12	12	7.12 a	10.54 a	19.24 a	25.46 a	9.37 a	14.02 a	23.58 a	31.74 a
	16	6.71 a	10.14 a	18.79 a	24.99 a	8.95 a	13.59 a	23.11 a	31.24 a
	24	5.9 a	9.34 a	17.89 a	24.04 a	8.11 a	12.73 a	22.15 a	30.24 a
14	12	6.52 a	9.85 a	18.14 a	24.17 a	8.66 a	13.19 a	22.37 a	30.13 a
	16	5.98 a	9.32 a	17.55 a	23.55 a	8.1 a	12.62 a	21.74 a	29.47 a
	24	4.9 a	8.26 a	16.36 a	22.3 a	7 a	11.49 a	20.48 a	28.16 a
16	12	5.83 a	9.05 a	16.86 a	22.68 a	7.87 a	12.24 a	21.02 a	28.1 a
	16	5.15 a	8.38 a	16.12 a	21.9 a	7.17 a	11.52 a	20.23 a	27.28 a
	24	3.79 a	7.05 a	14.63 a	20.34 a	5.77 a	10.09 a	18.64 a	25.65 a

30 psf Lateral Load

Wall Height (ft)	Spacing (in.) o.c.	800S200-(mils)						800S250-(mils)				
		33 ksi		50 ksi				33 ksi	50 ksi			
		33	43	54	68	97	118	43	54	68	97	118
8	12	2.39 a*	4.06 a	7.32 a	9.85 a	15.56 a	20.02 a	4.43 a	7.69 a	11.27 a	19.04 a	24.89 a
	16	2.16 a*	3.88 a	7.15 a	9.69 a	15.4 a	19.85 a	4.24 a	7.51 a	11.09 a	18.83 a	24.68 a
	24	1.71 a*	3.54 a	6.81 a	9.35 a	15.08 a	19.51 a	3.86 a	7.16 a	10.72 a	18.42 a	24.25 a
9	12	2.21 a*	3.92 a	7.19 a	9.72 a	15.43 a	19.88 a	4.26 a	7.51 a	11.08 a	18.8 a	24.58 a
	16	1.93 a*	3.7 a	6.97 a	9.51 a	15.23 a	19.67 a	4.03 a	7.29 a	10.85 a	18.54 a	24.31 a
	24	1.35 a*	3.26 a	6.54 a	9.09 a	14.82 a	19.25 a	3.55 a	6.85 a	10.38 a	18.02 a	23.77 a
10	12	2.01 a*	3.76 a	7.04 a	9.57 a	15.29 a	19.73 a	4.08 a	7.32 a	10.87 a	18.53 a	24.22 a
	16	1.66 a*	3.49 a	6.77 a	9.31 a	15.04 a	19.47 a	3.79 a	7.04 a	10.59 a	18.21 a	23.88 a
	24	0.95 a*	2.96 a	6.24 a	8.79 a	14.54 a	18.95 a	3.21 a	6.5 a	10.01 a	17.57 a	23.22 a
12	12	1.54 a*	3.4 a	6.68 a	9.23 a	14.96 a	19.39 a	3.66 a	6.85 a	10.36 a	17.86 a	23.3 a
	16	1.03 a*	3.01 a	6.3 a	8.85 a	14.6 a	19.01 a	3.25 a	6.46 a	9.96 a	17.41 a	22.82 a
	24	0.02 a*	2.24 a	5.54 a	8.1 a	13.88 a	18.26 a	2.42 a	5.69 a	9.14 a	16.51 a	21.88 a
14	12	0.98 a*	2.93 a	6.12 a	8.66 a	14.48 a	18.98 a	3.17 a	6.28 a	9.66 a	16.85 a	22.09 a
	16	0.3 a*	2.42 a	5.62 a	8.15 a	14 a	18.47 a	2.61 a	5.77 a	9.12 a	16.25 a	21.47 a
	24		1.38 a	4.61 a	7.15 a	13.03 a	17.44 a	1.5 a	4.74 a	8.04 a	15.06 a	20.23 a
16	12	0.35 a*	2.4 a	5.46 a	7.91 a	13.56 a	17.98 a	2.6 a	5.63 a	8.83 a	15.62 a	20.61 a
	16		1.74 a	4.82 a	7.28 a	12.94 a	17.33 a	1.89 a	4.98 a	8.15 a	14.87 a	19.84 a
	24		0.42 c	3.55 b	6.01 a	11.72 a	16.03 a	0.47 c	3.67 b	6.79 a	13.38 a	18.28 a

See Combined Axial and Lateral Load Table Notes on page 31.

Combined Axial and Lateral Load Tables



35 psf Lateral Load															
Wall Height (ft)	Spacing (in.) o.c.	362S137-(mils)				362S162-(mils)					362S200-(mils)				
		33 ksi		50 ksi		33 ksi		50 ksi			33 ksi		50 ksi		
		33	43	54	68	33	43	54	68	97	33	43	54	68	97
8	12	0.47 b	1.08 a	2.32 a	3.35 a	0.78 b	1.49 a	3.11 a	4.32 a	6.68 a	1.07 a	2.11 a	4.05 a	6.82 a	8.36 a
	16	0.09 d	0.69 c	2.01 b	3.08 a	0.36 c	1.09 b	2.77 a	4.02 a	6.37 a	0.61 b	1.66 a	3.66 a	6.36 a	8.04 a
	24			1.39 d	2.54 c		0.28 d	2.09 c	3.4 b	5.75 a		0.76 c	2.88 b	5.46 a	7.38 a
9	12	0.16 d	0.75 c	1.97 b	2.98 a	0.43 c	1.12 b	2.69 a	3.84 a	6.03 a	0.68 c	1.68 a	3.52 a	6.08 a	7.55 a
	16		0.27 d	1.6 c	2.66 b		0.63 d	2.28 c	3.48 b	5.66 a	0.11 d	1.14 c	3.06 b	5.54 a	7.17 a
	24			0.85 e	2.01 d			1.47 d	2.75 d	4.93 b		0.04 d	2.13 d	4.46 c	6.4 a
10	12		0.4 d	1.61 c	2.58 c	0.07 e	0.7 d	2.25 c	3.34 b	5.33 a	0.27 d	1.24 c	2.98 b	5.29 a	6.7 a
	16			1.17 d	2.2 d		0.16 e	1.78 d	2.92 c	4.91 b		0.6 d	2.45 c	4.67 b	6.27 a
	24			0.3 e	1.45 e			0.84 e	2.08 e	4.08 d			1.38 e	3.43 d	5.39 c
12	12			0.9 e	1.78 e			1.37 e	2.33 d	3.93 c	0.35 e		1.9 d	3.69 d	5.01 b
	16			0.35 f	1.32 e			0.8 e	1.82 e	3.43 d			1.26 e	2.95 e	4.49 d
	24				0.39 f				0.81 f	2.44 e				1.48 f	3.46 e
14	12			0.26 f	1.07 f			0.62 f	1.47 e	2.76 e			0.99 e	2.35 e	3.61 d
	16				0.54 f				0.9 f	2.21 e			0.27 f	1.54 f	3.04 e
	24									1.12 f				1.91 f	
16	12				0.49 f			0.02 f	0.78 f	1.84 f			0.27 f	1.31 f	2.53 e
	16								0.17 f	1.26 f				0.44 f	1.92 f
	24									0.09					0.7 f

35 psf Lateral Load													
Wall Height (ft)	Spacing (in.) o.c.	362S250-(mils)				362S300-(mils)			600S137-(mils)				
		33 ksi		50 ksi		50 ksi			33 ksi		50 ksi		
		43	54	68	97	54	68	97	33	43	54	68	97
8	12	2.47 a	4.65 a	6.46 a	9.59 a	4.73 a	6.92 a	10.83 a	1.15 a	1.91 a	3.31 a	4.55 a	7.09 a
	16	1.99 a	4.23 a	6.05 a	9.21 a	4.31 a	6.5 a	10.44 a	0.91 a	1.68 a	3.12 a	4.36 a	6.92 a
	24	1.02 b	3.39 a	5.23 a	8.46 a	3.49 a	5.66 a	9.67 a	0.43 a	1.21 a	2.74 a	3.99 a	6.58 a
9	12	2.02 a	4.13 a	5.74 a	8.68 a	4.21 a	6.21 a	9.96 a	0.96 a	1.72 a	3.16 a	4.4 a	6.95 a
	16	1.43 b	3.62 a	5.25 a	8.23 a	3.71 a	5.71 a	9.5 a	0.66 a	1.43 a	2.92 a	4.16 a	6.74 a
	24	0.24 d	2.6 c	4.28 b	7.34 a	2.71 c	4.7 a	8.58 a	0.05 b	0.84 a	2.44 a	3.69 a	6.31 a
10	12	1.55 b	3.57 a	5 a	7.73 a	3.66 a	5.49 a	8.92 a	0.75 a	1.52 a	2.99 a	4.23 a	6.8 a
	16	0.84 d	2.97 c	4.44 b	7.22 a	3.08 b	4.91 a	8.39 a	0.37 a	1.15 a	2.69 a	3.94 a	6.54 a
	24		1.78 d	3.33 d	6.2 b	1.9 d	3.74 c	7.34 a		0.43 b	2.1 a	3.36 a	6.01 a
12	12	0.55 d	2.33 d	3.54 c	5.83 a	2.6 c	4.07 b	6.82 a	0.25 c	1.04 a	2.6 a	3.85 a	6.46 a
	16		1.61 e	2.87 d	5.22 c	1.84 d	3.35 d	6.19 b		0.51 c	2.17 b	3.43 a	6.08 a
	24		0.18 f	1.54 e	4 d	0.32 e	1.9 e	4.93 d			1.32 d	2.59 c	5.32 a
14	12		1.27 e	2.31 e	4.22 d	1.52 e	2.74 d	5.03 c		0.47 d	2.14 c	3.39 a	6.05 a
	16		0.47 f	1.57 e	3.54 e	0.63 f	1.92 e	4.33 d			1.55 d	2.82 c	5.53 a
	24			0.08 f	2.19 f		0.28 f	2.92 e			0.39 e	1.68 d	4.5 c
16	12		0.44 f	1.34 f	2.96 e	0.59 f	1.64 e	3.62 d			1.6 d	2.87 c	5.57 b
	16			0.54 f	2.23 f		0.75 f	2.86 e			0.84 e	2.12 d	4.9 c
	24				0.78 f			1.34 f				0.63 e	3.55 e

See Combined Axial and Lateral Load Table Notes on page 31.

Combined Axial and Lateral Load Tables



35 psf Lateral Load

Wall Height (ft)	Spacing (in.) o.c.	600S162-(mils)						600S200-(mils)					
		33 ksi		50 ksi				33 ksi		50 ksi			
		33	43	54	68	97	118	33	43	54	68	97	118
8	12	1.79 a	2.78 a	5 a	6.86 a	10.77 a	13.59 a	2.15 a	3.55 a	6.64 a	9.06 a	14.55 a	18.82 a
	16	1.54 a	2.54 a	4.77 a	6.64 a	10.54 a	13.36 a	1.87 a	3.26 a	6.36 a	8.78 a	14.28 a	18.53 a
	24	1.04 a	2.06 a	4.3 a	6.2 a	10.08 a	12.89 a	1.32 a	2.68 a	5.81 a	8.22 a	13.74 a	17.97 a
9	12	1.58 a	2.59 a	4.81 a	6.68 a	10.58 a	13.41 a	1.92 a	3.29 a	6.33 a	8.72 a	14.15 a	18.35 a
	16	1.27 a	2.28 a	4.52 a	6.41 a	10.3 a	13.11 a	1.57 a	2.93 a	5.99 a	8.38 a	13.82 a	17.99 a
	24	0.63 a	1.67 a	3.94 a	5.85 a	9.72 a	12.52 a	0.87 a	2.21 a	5.29 a	7.68 a	13.15 a	17.29 a
10	12	1.35 a	2.36 a	4.59 a	6.49 a	10.38 a	13.2 a	1.66 a	3 a	5.99 a	8.34 a	13.69 a	17.8 a
	16	0.96 a	1.98 a	4.23 a	6.14 a	10.03 a	12.84 a	1.23 a	2.56 a	5.57 a	7.92 a	13.28 a	17.37 a
	24	0.18 c	1.24 a	3.51 a	5.46 a	9.32 a	12.11 a	0.38 b	1.68 a	4.73 a	7.08 a	12.47 a	16.51 a
12	12	0.82 b	1.83 a	3.99 a	5.92 a	9.91 a	12.72 a	1.07 a	2.35 a	5.2 a	7.44 a	12.57 a	16.44 a
	16	0.27 c	1.3 b	3.49 a	5.43 a	9.4 a	12.19 a	0.47 c	1.73 a	4.62 a	6.86 a	12.01 a	15.85 a
	24		0.24 d	2.49 c	4.47 b	8.38 a	11.14 a		0.5 c	3.46 b	5.7 a	10.89 a	14.68 a
14	12	0.22 d	1.22 c	3.29 b	5.14 a	9.06 a	12.15 a	0.41 c	1.61 b	4.28 a	6.39 a	11.21 a	14.77 a
	16		0.52 d	2.64 c	4.51 b	8.39 a	11.43 a		0.81 d	3.54 c	5.65 b	10.49 a	14.02 a
	24			1.33 e	3.26 d	7.04 c	10 b			2.07 d	4.17 d	9.07 b	12.53 a
16	12		0.55 d	2.51 d	4.25 c	7.84 a	10.63 a		0.83 d	3.32 c	5.25 b	9.69 a	12.89 a
	16			1.71 e	3.49 d	7.02 c	9.76 b			2.43 d	4.36 c	8.83 b	12 a
	24			0.13 f	1.96 e	5.39 d	8.04 d			0.65 e	2.58 e	7.13 d	10.21 c

35 psf Lateral Load

Wall Height (ft)	Spacing (in.) o.c.	600S250-(mils)					600S300-(mils)				600S350-(mils)			
		33 ksi	50 ksi				50 ksi				50 ksi			
		43	54	68	97	118	54	68	97	118	54	68	97	118
8	12	3.88 a	6.89 a	10.15 a	17.07 a	21.93 a	7.19 a	10.35 a	18.39 a	24.04 a	9.46 a	13.91 a	22.96 a	30.49 a
	16	3.59 a	6.62 a	9.85 a	16.74 a	21.59 a	6.92 a	10.05 a	18.06 a	23.7 a	9.16 a	13.59 a	22.61 a	30.13 a
	24	2.99 a	6.07 a	9.25 a	16.09 a	20.92 a	6.36 a	9.46 a	17.42 a	23.03 a	8.58 a	12.96 a	21.92 a	29.42 a
9	12	3.62 a	6.59 a	9.78 a	16.54 a	21.31 a	6.89 a	9.98 a	17.83 a	23.39 a	9.09 a	13.46 a	22.33 a	29.56 a
	16	3.24 a	6.25 a	9.4 a	16.13 a	20.89 a	6.54 a	9.61 a	17.43 a	22.97 a	8.72 a	13.06 a	21.89 a	29.12 a
	24	2.5 a	5.57 a	8.65 a	15.32 a	20.05 a	5.85 a	8.88 a	16.62 a	22.14 a	7.99 a	12.27 a	21.03 a	28.23 a
10	12	3.32 a	6.26 a	9.36 a	15.93 a	20.59 a	6.55 a	9.57 a	17.2 a	22.66 a	8.67 a	12.96 a	21.62 a	28.52 a
	16	2.87 a	5.85 a	8.9 a	15.44 a	20.09 a	6.13 a	9.12 a	16.71 a	22.16 a	8.23 a	12.48 a	21.1 a	27.99 a
	24	1.95 a	5.01 a	7.99 a	14.46 a	19.07 a	5.29 a	8.23 a	15.73 a	21.14 a	7.34 a	11.52 a	20.05 a	26.92 a
12	12	2.66 a	5.5 a	8.39 a	14.5 a	18.89 a	5.77 a	8.67 a	15.74 a	21 a	7.75 a	11.82 a	20.06 a	26.15 a
	16	2.01 a	4.92 a	7.76 a	13.83 a	18.2 a	5.19 a	8.05 a	15.07 a	20.3 a	7.13 a	11.15 a	19.33 a	25.42 a
	24	0.73 c	3.77 b	6.5 a	12.49 a	16.81 a	4.02 a	6.81 a	13.74 a	18.91 a	5.91 a	9.83 a	17.89 a	23.98 a
14	12	1.9 a	4.66 a	7.29 a	12.85 a	16.89 a	4.89 a	7.66 a	14.09 a	19.17 a	6.71 a	10.53 a	18.13 a	23.49 a
	16	1.05 c	3.91 b	6.48 a	11.99 a	16.01 a	4.14 b	6.84 a	13.24 a	18.27 a	5.92 a	9.67 a	17.21 a	22.58 a
	24	-0.65 d	2.41 d	4.86 c	10.29 a	14.26 a	2.63 d	5.22 b	11.53 a	16.47 a	4.34 c	7.96 a	15.35 a	20.75 a
16	12	1.07 c	3.8 c	6.15 a	11.06 a	14.71 a	3.95 b	6.55 a	12.36 a	16.82 a	5.61 a	9.14 a	15.8 a	20.67 a
	16	0.01 d	2.86 d	5.15 c	10.03 a	13.66 a	3.02 d	5.55 b	11.32 a	15.75 a	4.65 c	8.1 a	14.69 a	19.58 a
	24	-2.11 e	0.98 e	3.16 d	7.99 c	11.57 b	1.17 e	3.54 d	9.25 c	13.6 b	2.71 d	6 c	12.48 b	17.41 a

See Combined Axial and Lateral Load Table Notes on page 31.

Combined Axial and Lateral Load Tables



35 psf Lateral Load												
Wall Height (ft)	Spacing (in.) o.c.	800S137-(mils)					800S162-(mils)					
		33 ksi		50 ksi			33 ksi		50 ksi			
		33	43	54	68	97	33	43	54	68	97	118
8	12	1.19 a*	2.01 a	3.23 a	4.42 a	6.94 a	1.76 a*	2.85 a	4.98 a	6.8 a	10.85 a	13.91 a
	16	0.99 a*	1.85 a	3.1 a	4.29 a	6.83 a	1.51 a*	2.66 a	4.81 a	6.64 a	10.7 a	13.76 a
	24	0.59 a*	1.53 a	2.85 a	4.05 a	6.61 a	1.03 a*	2.27 a	4.47 a	6.31 a	10.39 a	13.45 a
9	12	1.03 a*	1.88 a	3.13 a	4.32 a	6.85 a	1.56 a*	2.7 a	4.85 a	6.67 a	10.73 a	13.79 a
	16	0.77 a*	1.68 a	2.97 a	4.16 a	6.71 a	1.25 a*	2.45 a	4.63 a	6.46 a	10.54 a	13.6 a
	24	0.27 a*	1.27 a	2.64 a	3.85 a	6.43 a	0.64 a*	1.96 a	4.2 a	6.04 a	10.15 a	13.21 a
10	12	0.85 a*	1.74 a	3.01 a	4.21 a	6.76 a	1.35 a*	2.52 a	4.7 a	6.53 a	10.6 a	13.66 a
	16	0.54 a*	1.49 a	2.81 a	4.01 a	6.58 a	0.97 a*	2.22 a	4.43 a	6.27 a	10.36 a	13.42 a
	24		0.98 a	2.41 a	3.63 a	6.23 a	0.21 a*	1.61 a	3.9 a	5.75 a	9.88 a	12.94 a
12	12	0.44 a*	1.41 a	2.75 a	3.95 a	6.53 a	0.84 a*	2.12 a	4.34 a	6.18 a	10.28 a	13.34 a
	16		1.04 a	2.46 a	3.68 a	6.28 a	0.3 a*	1.69 a	3.96 a	5.81 a	9.93 a	12.99 a
	24		0.32 a	1.89 a	3.12 a	5.77 a		0.81 a	3.19 a	5.06 a	9.25 a	12.3 a
14	12		1.01 a	2.44 a	3.65 a	6.25 a	0.25 a*	1.65 a	3.93 a	5.78 a	9.91 a	12.97 a
	16		0.52 b	2.05 a	3.27 a	5.91 a		1.05 a	3.41 a	5.27 a	9.44 a	12.5 a
	24		1.26 c	2.52 a	3.75 a	6.23 a			2.36 b	4.26 a	8.5 a	11.56 a
16	12		0.56 b	2.08 a	3.31 a	5.94 a		1.1 b	3.45 a	5.31 a	9.47 a	12.53 a
	16			1.57 b	2.81 a	5.5 a		0.32 c	2.77 b	4.65 a	8.86 a	11.92 a
	24			0.55 d	1.83 c	4.61 b			1.4 d	3.32 c	7.64 a	10.69 a

35 psf Lateral Load												
Wall Height (ft)	Spacing (in.) o.c.	800S200-(mils)						800S250-(mils)				
		33 ksi		50 ksi				33 ksi	50 ksi			
		33	43	54	68	97	118	43	54	68	97	118
8	12	2.28 a*	3.97 a	7.24 a	9.77 a	15.48 a	19.93 a	4.33 a	7.6 a	11.18 a	18.93 a	24.79 a
	16	2.01 a*	3.77 a	7.04 a	9.57 a	15.29 a	19.74 a	4.11 a	7.39 a	10.96 a	18.7 a	24.53 a
	24	1.49 a*	3.37 a	6.64 a	9.19 a	14.92 a	19.35 a	3.68 a	6.98 a	10.53 a	18.22 a	24.03 a
9	12	2.07 a*	3.81 a	7.08 a	9.61 a	15.33 a	19.78 a	4.15 a	7.4 a	10.97 a	18.67 a	24.45 a
	16	1.74 a*	3.55 a	6.83 a	9.37 a	15.09 a	19.53 a	3.87 a	7.14 a	10.7 a	18.37 a	24.13 a
	24	1.07 a*	3.04 a	6.33 a	8.88 a	14.62 a	19.04 a	3.32 a	6.62 a	10.15 a	17.76 a	23.49 a
10	12	1.83 a*	3.63 a	6.9 a	9.44 a	15.16 a	19.6 a	3.94 a	7.18 a	10.73 a	18.37 a	24.05 a
	16	1.42 a*	3.32 a	6.59 a	9.14 a	14.87 a	19.3 a	3.6 a	6.86 a	10.39 a	18 a	23.66 a
	24	0.6 a*	2.69 a	5.98 a	8.53 a	14.29 a	18.69 a	2.92 a	6.22 a	9.72 a	17.25 a	22.88 a
12	12	1.29 a*	3.21 a	6.49 a	9.04 a	14.78 a	19.2 a	3.46 a	6.66 a	10.16 a	17.64 a	23.06 a
	16	0.7 a*	2.75 a	6.05 a	8.6 a	14.36 a	18.76 a	2.97 a	6.2 a	9.68 a	17.11 a	22.51 a
	24		1.85 a	5.16 a	7.72 a	13.52 a	17.88 a	2 a	5.3 a	8.73 a	16.05 a	21.41 a
14	12	0.64 a*	2.67 a	5.87 a	8.41 a	14.24 a	18.72 a	2.89 a	6.03 a	9.39 a	16.55 a	21.78 a
	16		2.07 a	5.28 a	7.82 a	13.67 a	18.13 a	2.24 a	5.42 a	8.76 a	15.86 a	21.05 a
	24		0.86 b	4.1 a	6.65 a	12.54 a	16.93 a	0.94 b	4.22 a	7.5 a	14.46 a	19.61 a
16	12		2.07 a	5.14 a	7.6 a	13.25 a	17.65 a	2.25 a	5.3 a	8.49 a	15.24 a	20.22 a
	16		1.3 b	4.4 a	6.86 a	12.54 a	16.89 a	1.42 b	4.54 a	7.7 a	14.37 a	19.32 a
	24			2.91 c	5.38 b	11.1 a	15.38 a	-0.24 d	3.02 c	6.11 a	12.63 a	17.5 a

See Combined Axial and Lateral Load Table Notes on page 31.

Combined Axial and Lateral Load Tables



35 psf Lateral Load									
Wall Height (ft)	Spacing (in.) o.c.	800S300-(mils)				800S350-(mils)			
		50 ksi				50 ksi			
		54	68	97	118	54	68	97	118
8	12	7.93 a	11.46 a	20.69 a	27.14 a	10.35 a	15.14 a	25.2 a	33.63 a
	16	7.71 a	11.24 a	20.45 a	26.89 a	10.13 a	14.91 a	24.94 a	33.36 a
	24	7.28 a	10.82 a	19.96 a	26.38 a	9.68 a	14.46 a	24.43 a	32.82 a
9	12	7.71 a	11.23 a	20.36 a	26.76 a	10.1 a	14.87 a	24.86 a	33.19 a
	16	7.44 a	10.96 a	20.05 a	26.44 a	9.82 a	14.58 a	24.54 a	32.85 a
	24	6.9 a	10.42 a	19.44 a	25.8 a	9.25 a	14 a	23.89 a	32.18 a
10	12	7.47 a	10.96 a	19.97 a	26.32 a	9.82 a	14.55 a	24.44 a	32.68 a
	16	7.14 a	10.64 a	19.59 a	25.92 a	9.47 a	14.2 a	24.04 a	32.27 a
	24	6.47 a	9.98 a	18.84 a	25.14 a	8.78 a	13.49 a	23.25 a	31.44 a
12	12	6.91 a	10.34 a	19.02 a	25.22 a	9.16 a	13.8 a	23.35 a	31.49 a
	16	6.44 a	9.87 a	18.49 a	24.67 a	8.67 a	13.3 a	22.79 a	30.91 a
	24	5.5 a	8.94 a	17.44 a	23.57 a	7.69 a	12.31 a	21.67 a	29.75 a
14	12	6.25 a	9.58 a	17.85 a	23.86 a	8.38 a	12.9 a	22.06 a	29.8 a
	16	5.62 a	8.97 a	17.15 a	23.14 a	7.73 a	12.24 a	21.32 a	29.03 a
	24	4.37 a	7.73 a	15.77 a	21.68 a	6.44 a	10.92 a	19.85 a	27.5 a
16	12	5.49 a	8.72 a	16.49 a	22.29 a	7.52 a	11.88 a	20.62 a	27.69 a
	16	4.7 a	7.94 a	15.63 a	21.38 a	6.7 a	11.05 a	19.7 a	26.74 a
	24	3.11 b	6.38 a	13.89 a	19.55 a	5.07 a	9.38 a	17.84 a	24.84 a

See Combined Axial and Lateral Load Table Notes on page 31.

Combined Axial and Lateral Load Tables



40 psf Lateral Load															
Wall Height (ft)	Spacing (in.) o.c.	362S137-(mils)				362S162-(mils)					362S200-(mils)				
		33 ksi		50 ksi		33 ksi		50 ksi			33 ksi		50 ksi		
		33	43	54	68	33	43	54	68	97	33	43	54	68	97
8	12	0.31 c	0.92 b	2.18 a	3.24 a	0.6 b	1.31 a	2.96 a	4.19 a	6.55 a	0.87 b	1.92 a	3.88 a	6.62 a	8.22 a
	16		0.47 c	1.83 b	2.93 a	0.12 d	0.86 c	2.57 b	3.84 a	6.2 a	0.35 c	1.4 b	3.44 a	6.1 a	7.85 a
	24			1.12 d	2.31 c		-0.06 d	1.8 d	3.14 c	5.49 a		0.38 d	2.55 c	5.07 b	7.1 a
9	12		0.55 d	1.81 c	2.84 b	0.21 d	0.91 c	2.51 b	3.69 a	5.87 a	0.44 c	1.45 b	3.32 a	5.85 a	7.39 a
	16			1.38 d	2.47 c		0.35 d	2.05 c	3.27 b	5.45 a		0.82 c	2.8 c	5.23 a	6.95 a
	24			0.53 e	1.73 e			1.12 e	2.43 d	4.61 c			1.74 d	4 c	6.07 b
10	12		0.16 e	1.42 d	2.42 c		0.47 d	2.05 c	3.16 b	5.15 a		0.96 d	2.75 c	5.02 b	6.52 a
	16			0.93 e	1.99 d			1.51 d	2.68 d	4.68 b		0.23 e	2.14 d	4.31 c	6.02 a
	24				1.13 e			0.43 e	1.72 e	3.72 d			0.92 e	2.9 e	5.02 c
12	12			0.66 e	1.58 e			1.12 e	2.11 e	3.72 d			1.62 e	3.37 d	4.79 c
	16			0.04 f	1.05 f			0.47 f	1.53 e	3.15 e			0.89 e	2.53 e	4.2 d
	24								0.38 f	2.02 f				0.85 f	3.02 e
14	12				0.84 f			0.35 f	1.22 f	2.53 e			0.68 f	2 e	3.37 e
	16				0.24 f				0.58 f	1.9 f				1.07 f	2.72 e
	24									0.65 f				1.42 f	
16	12				0.24 f					1.59 f				0.94 f	2.27 f
	16									0.92 f					1.57 f
	24														0.18

40 psf Lateral Load													
Wall Height (ft)	Spacing (in.) o.c.	362S250-(mils)				362S300-(mils)			600S137-(mils)				
		33 ksi		50 ksi		50 ksi			33 ksi		50 ksi		
		43	54	68	97	54	68	97	33	43	54	68	97
8	12	2.26 a	4.47 a	6.29 a	9.43 a	4.55 a	6.74 a	10.66 a	1.05 a	1.81 a	3.23 a	4.47 a	7.02 a
	16	1.71 a	3.99 a	5.81 a	9 a	4.08 a	6.26 a	10.22 a	0.78 a	1.54 a	3.01 a	4.25 a	6.82 a
	24	0.6 c	3.03 b	4.87 a	8.13 a	3.13 b	5.3 a	9.34 a	0.22 a	1.01 a	2.58 a	3.83 a	6.44 a
9	12	1.77 a	3.91 a	5.53 a	8.49 a	3.99 a	6 a	9.77 a	0.83 a	1.6 a	3.05 a	4.3 a	6.86 a
	16	1.09 c	3.33 b	4.98 a	7.98 a	3.42 a	5.42 a	9.24 a	0.48 a	1.26 a	2.78 a	4.03 a	6.62 a
	24		2.16 d	3.86 c	6.95 a	2.28 c	4.27 b	8.18 a		0.59 a	2.23 a	3.49 a	6.13 a
10	12	1.25 c	3.31 b	4.76 a	7.51 a	3.41 a	5.24 a	8.7 a	0.59 a	1.36 a	2.86 a	4.11 a	6.69 a
	16	0.43 d	2.63 c	4.12 b	6.93 a	2.74 c	4.57 b	8.09 a	0.16 b	0.95 a	2.52 a	3.77 a	6.39 a
	24		1.27 e	2.85 d	5.76 c	1.4 d	3.24 d	6.88 b		0.12 c	1.85 b	3.11 a	5.79 a
12	12	0.16 e	2.02 d	3.25 c	5.56 b	2.27 d	3.76 c	6.55 a	0.02 c	0.81 b	2.41 a	3.67 a	6.29 a
	16		1.2 e	2.49 d	4.87 c	1.4 e	2.93 d	5.83 c		0.22 c	1.93 b	3.19 a	5.86 a
	24			0.97 e	3.48 e		1.28 e	4.39 d			0.95 d	2.23 c	4.99 b
14	12		0.93 e	1.99 e	3.93 d	1.14 e	2.39 e	4.73 d		0.17 d	1.89 c	3.15 b	5.82 a
	16		0.01 f	1.14 f	3.16 e	0.13 f	1.45 e	3.92 e			1.22 d	2.49 d	5.23 b
	24			1.61 f				2.31 f				1.19 e	4.06 d
16	12		0.07 f	1 f	2.65 e	0.18 f	1.26 f	3.29 e			1.28 e	2.55 d	5.28 c
	16			0.08 f	1.82 f		0.25 f	2.43 f			0.41 e	1.69 e	4.51 d
	24				0.16 f			0.69 f					2.97 e

See Combined Axial and Lateral Load Table Notes on page 31.

Combined Axial and Lateral Load Tables



40 psf Lateral Load

Wall Height (ft)	Spacing (in.) o.c.	600S162-(mils)						600S200-(mils)					
		33 ksi		50 ksi				33 ksi		50 ksi			
		33	43	54	68	97	118	33	43	54	68	97	118
8	12	1.68 a	2.68 a	4.9 a	6.76 a	10.67 a	13.49 a	2.03 a	3.42 a	6.52 a	8.94 a	14.43 a	18.69 a
	16	1.4 a	2.4 a	4.64 a	6.51 a	10.41 a	13.23 a	1.72 a	3.1 a	6.2 a	8.62 a	14.13 a	18.37 a
	24	0.82 a	1.85 a	4.11 a	6.01 a	9.89 a	12.69 a	1.08 a	2.44 a	5.57 a	7.99 a	13.51 a	17.73 a
9	12	1.45 a	2.46 a	4.69 a	6.56 a	10.46 a	13.28 a	1.77 a	3.14 a	6.19 a	8.58 a	14.01 a	18.2 a
	16	1.08 a	2.11 a	4.35 a	6.25 a	10.13 a	12.94 a	1.37 a	2.72 a	5.79 a	8.18 a	13.62 a	17.79 a
	24	0.36 b	1.41 a	3.69 a	5.61 a	9.47 a	12.27 a	0.57 a	1.9 a	5 a	7.38 a	12.86 a	16.99 a
10	12	1.18 a	2.2 a	4.44 a	6.34 a	10.23 a	13.04 a	1.48 a	2.81 a	5.81 a	8.16 a	13.51 a	17.61 a
	16	0.74 a	1.77 a	4.03 a	5.95 a	9.82 a	12.63 a	0.99 a	2.31 a	5.33 a	7.68 a	13.05 a	17.12 a
	24		0.92 b	3.21 a	5.17 a	9.01 a	11.79 a	0.01 c	1.3 a	4.37 a	6.72 a	12.12 a	16.15 a
12	12	0.58 c	1.6 a	3.78 a	5.71 a	9.69 a	12.49 a	0.81 b	2.09 a	4.95 a	7.2 a	12.33 a	16.19 a
	16		1 c	3.2 b	5.16 a	9.11 a	11.89 a	0.13 c	1.38 b	4.29 a	6.53 a	11.69 a	15.52 a
	24			2.06 d	4.05 c	7.94 a	10.69 a			2.96 c	5.2 b	10.41 a	14.17 a
14	12		0.92 d	3.01 c	4.87 a	8.77 a	11.84 a	0.07 d	1.27 c	3.97 b	6.08 a	10.9 a	14.45 a
	16		0.12 e	2.26 d	4.15 c	8 a	11.03 a		0.35 d	3.12 c	5.23 b	10.09 a	13.6 a
	24			0.77 e	2.72 d	6.46 c	9.39 c			1.43 e	3.53 d	8.46 c	11.89 b
16	12		0.18 e	2.17 d	3.92 c	7.49 b	10.26 a		0.4 d	2.94 d	4.87 c	9.32 a	12.51 a
	16			1.26 e	3.05 d	6.56 c	9.27 c			1.92 e	3.85 d	8.35 c	11.49 b
	24				1.3 e	4.69 e	7.3 d				1.82 e	6.39 d	9.45 d

40 psf Lateral Load

Wall Height (ft)	Spacing (in.) o.c.	600S250-(mils)					600S300-(mils)				600S350-(mils)			
		50 ksi					50 ksi				50 ksi			
		43	54	68	97	118	54	68	97	118	54	68	97	118
8	12	3.76 a	6.77 a	10.02 a	16.93 a	21.79 a	7.07 a	10.22 a	18.25 a	23.89 a	9.33 a	13.77 a	22.81 a	30.34 a
	16	3.42 a	6.46 a	9.68 a	16.55 a	21.4 a	6.76 a	9.89 a	17.88 a	23.51 a	8.99 a	13.41 a	22.41 a	29.93 a
	24	2.73 a	5.83 a	8.99 a	15.81 a	20.63 a	6.13 a	9.21 a	17.14 a	22.74 a	8.32 a	12.69 a	21.62 a	29.11 a
9	12	3.46 a	6.45 a	9.61 a	16.36 a	21.13 a	6.74 a	9.82 a	17.66 a	23.21 a	8.93 a	13.29 a	22.14 a	29.37 a
	16	3.03 a	6.06 a	9.18 a	15.9 a	20.65 a	6.34 a	9.4 a	17.2 a	22.73 a	8.51 a	12.84 a	21.65 a	28.87 a
	24	2.18 a	5.27 a	8.33 a	14.97 a	19.69 a	5.55 a	8.56 a	16.27 a	21.78 a	7.67 a	11.93 a	20.66 a	27.85 a
10	12	3.13 a	6.08 a	9.16 a	15.72 a	20.38 a	6.37 a	9.38 a	16.99 a	22.45 a	8.48 a	12.75 a	21.4 a	28.29 a
	16	2.61 a	5.61 a	8.64 a	15.16 a	19.8 a	5.89 a	8.87 a	16.43 a	21.87 a	7.98 a	12.2 a	20.8 a	27.68 a
	24	1.56 a	4.66 a	7.59 a	14.03 a	18.64 a	4.93 a	7.84 a	15.31 a	20.71 a	6.96 a	11.11 a	19.6 a	26.46 a
12	12	2.38 a	5.25 a	8.12 a	14.22 a	18.59 a	5.52 a	8.41 a	15.45 a	20.7 a	7.49 a	11.53 a	19.75 a	25.84 a
	16	1.64 a	4.59 a	7.4 a	13.45 a	17.8 a	4.85 a	7.69 a	14.69 a	19.9 a	6.78 a	10.78 a	18.92 a	25.01 a
	24	0.17 c	3.27 b	5.96 a	11.91 a	16.22 a	3.52 b	6.27 a	13.16 a	18.31 a	5.38 a	9.26 a	17.27 a	23.36 a
14	12	1.53 b	4.34 a	6.95 a	12.48 a	16.51 a	4.57 a	7.31 a	13.72 a	18.78 a	6.37 a	10.16 a	17.74 a	23.1 a
	16	0.56 d	3.48 c	6.02 a	11.5 a	15.51 a	3.71 b	6.38 a	12.75 a	17.76 a	5.47 a	9.19 a	16.68 a	22.05 a
	24		1.76 d	4.16 c	9.55 b	13.51 a	1.98 d	4.53 c	10.8 a	15.7 a	3.66 c	7.23 b	14.56 a	19.97 a
16	12	0.62 d	3.39 c	5.72 b	10.62 a	14.26 a	3.56 c	6.12 b	11.91 a	16.36 a	5.2 b	8.7 a	15.32 a	20.21 a
	16		2.32 d	4.58 c	9.45 b	13.06 a	2.49 d	4.98 c	10.73 a	15.13 a	4.09 c	7.5 b	14.06 a	18.96 a
	24		0.18 e	2.31 e	7.12 d	10.67 c	0.37 e	2.68 e	8.37 c	12.67 b	1.88 e	5.1 d	11.53 c	16.48 b

See Combined Axial and Lateral Load Table Notes on page 31.

Combined Axial and Lateral Load Tables



40 psf Lateral Load												
Wall Height (ft)	Spacing (in.) o.c.	800S137-(mils)					800S162-(mils)					
		33 ksi		50 ksi			33 ksi		50 ksi			
		33	43	54	68	97	33	43	54	68	97	118
8	12	1.1 a*	1.94 a	3.17 a	4.36 a	6.9 a	1.65 a*	2.77 a	4.91 a	6.73 a	10.79 a	13.85 a
	16	0.87 a*	1.76 a	3.03 a	4.22 a	6.77 a	1.37 a*	2.55 a	4.72 a	6.54 a	10.61 a	13.67 a
	24	0.42 a*	1.39 a	2.74 a	3.94 a	6.51 a	0.82 a*	2.1 a	4.33 a	6.17 a	10.26 a	13.32 a
9	12	0.92 a*	1.8 a	3.06 a	4.25 a	6.79 a	1.43 a*	2.59 a	4.76 a	6.58 a	10.65 a	13.71 a
	16	0.63 a*	1.56 a	2.87 a	4.07 a	6.63 a	1.08 a*	2.31 a	4.51 a	6.34 a	10.43 a	13.49 a
	24	0.05 a*	1.09 a	2.5 a	3.72 a	6.31 a	0.38 a*	1.75 a	4.02 a	5.86 a	9.98 a	13.04 a
10	12	0.72 a*	1.63 a	2.93 a	4.12 a	6.68 a	1.18 a*	2.39 a	4.58 a	6.41 a	10.49 a	13.55 a
	16	0.36 a*	1.34 a	2.7 a	3.9 a	6.48 a	0.75 a*	2.05 a	4.28 a	6.12 a	10.22 a	13.28 a
	24		0.77 a	2.24 a	3.46 a	6.08 a		1.35 a	3.67 a	5.53 a	9.67 a	12.73 a
12	12	0.24 a*	1.25 a	2.63 a	3.83 a	6.42 a	0.61 a*	1.94 a	4.18 a	6.02 a	10.13 a	13.19 a
	16		0.84 a	2.3 a	3.52 a	6.13 a		1.44 a	3.74 a	5.6 a	9.74 a	12.8 a
	24		0.01 b	1.64 a	2.88 a	5.56 a		0.43 a	2.86 a	4.74 a	8.95 a	12.01 a
14	12		0.8 a	2.27 a	3.49 a	6.11 a		1.39 a	3.7 a	5.56 a	9.7 a	12.76 a
	16		0.24 b	1.82 a	3.06 a	5.72 a		0.71 b	3.11 a	4.98 a	9.17 a	12.23 a
	24		0.93 c	2.2 b	3.2 b	4.94 a		1.91 c	3.82 a	5.82 a	8.1 a	11.15 a
16	12		0.28 c	1.86 b	3.09 a	5.75 a		0.77 b	3.16 a	5.03 a	9.21 a	12.27 a
	16			1.28 c	2.53 b	5.24 a			2.38 c	4.27 a	8.51 a	11.57 a
	24			0.11 e	1.4 d	4.22 c			0.82 d	2.75 c	7.11 b	10.17 a

40 psf Lateral Load												
Wall Height (ft)	Spacing (in.) o.c.	800S200-(mils)						800S250-(mils)				
		33 ksi		50 ksi				33 ksi	50 ksi			
		33	43	54	68	97	118	43	54	68	97	118
8	12	2.16 a*	3.88 a	7.15 a	9.69 a	15.4 a	19.85 a	4.24 a	7.51 a	11.09 a	18.83 a	24.68 a
	16	1.86 a*	3.65 a	6.93 a	9.46 a	15.18 a	19.63 a	3.99 a	7.27 a	10.84 a	18.56 a	24.39 a
	24	1.26 a*	3.19 a	6.48 a	9.02 a	14.76 a	19.18 a	3.49 a	6.8 a	10.34 a	18.01 a	23.81 a
9	12	1.93 a*	3.7 a	6.97 a	9.51 a	15.23 a	19.67 a	4.03 a	7.29 a	10.85 a	18.54 a	24.31 a
	16	1.55 a*	3.41 a	6.69 a	9.23 a	14.96 a	19.39 a	3.71 a	6.99 a	10.54 a	18.2 a	23.95 a
	24	0.78 a*	2.83 a	6.12 a	8.66 a	14.42 a	18.82 a	3.08 a	6.4 a	9.92 a	17.5 a	23.22 a
10	12	1.66 a*	3.49 a	6.77 a	9.31 a	15.04 a	19.47 a	3.79 a	7.04 a	10.59 a	18.21 a	23.88 a
	16	1.19 a*	3.14 a	6.42 a	8.96 a	14.7 a	19.12 a	3.4 a	6.68 a	10.2 a	17.78 a	23.44 a
	24	0.25 a*	2.42 a	5.71 a	8.27 a	14.04 a	18.43 a	2.63 a	5.95 a	9.44 a	16.94 a	22.55 a
12	12	1.03 a*	3.01 a	6.3 a	8.85 a	14.6 a	19.01 a	3.25 a	6.46 a	9.96 a	17.41 a	22.82 a
	16	0.36 a*	2.5 a	5.79 a	8.35 a	14.12 a	18.51 a	2.7 a	5.95 a	9.41 a	16.81 a	22.2 a
	24		1.46 a	4.78 a	7.35 a	13.16 a	17.51 a	1.59 a	4.91 a	8.32 a	15.6 a	20.94 a
14	12	0.3 a*	2.42 a	5.62 a	8.15 a	14 a	18.47 a	2.61 a	5.77 a	9.12 a	16.25 a	21.47 a
	16		1.72 a	4.94 a	7.49 a	13.35 a	17.78 a	1.87 a	5.08 a	8.4 a	15.46 a	20.64 a
	24		0.34 c	3.59 b	6.15 a	12.05 a	16.42 a	0.39 b	3.7 a	6.96 a	13.87 a	18.98 a
16	12		1.74 a	4.82 a	7.28 a	12.94 a	17.33 a	1.89 a	4.98 a	8.15 a	14.87 a	19.84 a
	16		0.86 c	3.97 b	6.44 a	12.13 a	16.46 a	0.94 b	4.11 a	7.24 a	13.87 a	18.8 a
	24			2.27 d	4.75 c	10.49 a	14.73 a		2.36 c	5.43 b	11.88 a	16.73 a

See Combined Axial and Lateral Load Table Notes on page 31.

Combined Axial and Lateral Load Tables



40 psf Lateral Load

Wall Height (ft)	Spacing (in.) o.c.	800S300-(mils)				800S350-(mils)			
		50 ksi				50 ksi			
		54	68	97	118	54	68	97	118
8	12	7.83 a	11.37 a	20.59 a	27.03 a	10.26 a	15.05 a	25.09 a	33.51 a
	16	7.59 a	11.12 a	20.31 a	26.74 a	10 a	14.78 a	24.8 a	33.21 a
	24	7.09 a	10.63 a	19.75 a	26.16 a	9.48 a	14.26 a	24.21 a	32.59 a
9	12	7.6 a	11.11 a	20.23 a	26.62 a	9.98 a	14.74 a	24.73 a	33.04 a
	16	7.29 a	10.8 a	19.88 a	26.26 a	9.66 a	14.41 a	24.36 a	32.66 a
	24	6.67 a	10.19 a	19.18 a	25.53 a	9.01 a	13.75 a	23.62 a	31.89 a
10	12	7.33 a	10.82 a	19.81 a	26.15 a	9.67 a	14.4 a	24.27 a	32.5 a
	16	6.95 a	10.45 a	19.38 a	25.7 a	9.27 a	13.99 a	23.82 a	32.03 a
	24	6.19 a	9.7 a	18.52 a	24.81 a	8.48 a	13.19 a	22.91 a	31.09 a
12	12	6.71 a	10.14 a	18.79 a	24.99 a	8.95 a	13.59 a	23.11 a	31.24 a
	16	6.17 a	9.61 a	18.19 a	24.36 a	8.39 a	13.02 a	22.47 a	30.58 a
	24	5.09 a	8.54 a	16.99 a	23.1 a	7.27 a	11.88 a	21.2 a	29.25 a
14	12	5.98 a	9.32 a	17.55 a	23.55 a	8.1 a	12.62 a	21.74 a	29.47 a
	16	5.26 a	8.61 a	16.76 a	22.72 a	7.37 a	11.87 a	20.9 a	28.6 a
	24	3.83 a	7.2 a	15.17 a	21.06 a	5.89 a	10.35 a	19.22 a	26.85 a
16	12	5.15 a	8.38 a	16.12 a	21.9 a	7.17 a	11.52 a	20.23 a	27.28 a
	16	4.25 a	7.49 a	15.13 a	20.86 a	6.24 a	10.57 a	19.17 a	26.19 a
	24	2.44 c	5.71 b	13.15 a	18.77 a	4.37 b	8.66 a	17.05 a	24.02 a

See Combined Axial and Lateral Load Table Notes on page 31.

Combined Axial and Lateral Load Tables



50 psf Lateral Load															
Wall Height (ft)	Spacing (in.) o.c.	362S137-(mils)				362S162-(mils)					362S200-(mils)				
		33 ksi		50 ksi		33 ksi		50 ksi			33 ksi		50 ksi		
		33	43	54	68	33	43	54	68	97	33	43	54	68	97
8	12		0.58 c	1.92 b	3 a	0.24 c	0.97 b	2.67 a	3.93 a	6.28 a	0.48 c	1.53 a	3.55 a	6.23 a	7.94 a
	16		0.03 d	1.47 c	2.62 b		0.4 d	2.18 c	3.49 b	5.84 a		0.89 c	3 b	5.59 a	7.48 a
	24			0.59 e	1.84 d			1.21 d	2.62 d	4.96 b			1.89 d	4.29 c	6.54 a
9	12		0.14 d	1.49 d	2.56 c		0.49 d	2.16 c	3.37 b	5.56 a		0.98 c	2.93 b	5.39 a	7.06 a
	16			0.96 e	2.1 d			1.58 d	2.85 c	5.03 b		0.2 d	2.27 d	4.61 c	6.51 a
	24				1.17 e			0.42 e	1.81 e	3.99 d			0.94 e	3.07 d	5.41 c
10	12			1.05 e	2.1 d			1.65 d	2.8 c	4.8 b		0.41 d	2.29 d	4.49 c	6.14 a
	16			0.43 e	1.56 e			0.97 e	2.2 d	4.2 c			1.53 e	3.6 d	5.52 c
	24				0.48 f				1 e	3 e			0.01 f	1.83 e	4.27 d
12	12			0.2 f	1.19 e			0.63 f	1.68 e	3.29 d			1.07 e	2.74 e	4.35 d
	16				0.52 f				0.95 f	2.59 e			0.16 f	1.69 e	3.61 e
	24									1.17 f					2.14 f
14	12				0.39 f				0.74 f	2.06 f			0.07 f	1.3 f	2.88 e
	16									1.27 f				0.14 f	2.07 f
	24														0.44 f
16	12									1.09 f				0.19 f	1.74 f
	16									0.26					0.88 f
	24														

50 psf Lateral Load													
Wall Height (ft)	Spacing (in.) o.c.	362S250-(mils)				362S300-(mils)			600S137-(mils)				
		33 ksi		50 ksi		50 ksi			33 ksi		50 ksi		
		43	54	68	97	54	68	97	33	43	54	68	97
8	12	1.85 a	4.11 a	5.93 a	9.11 a	4.55 a	6.74 a	10.66 a	1.05 a	1.81 a	3.23 a	4.47 a	7.02 a
	16	1.15 b	3.51 a	5.34 a	8.56 a	4.08 a	6.26 a	10.22 a	0.78 a	1.54 a	3.01 a	4.25 a	6.82 a
	24		2.31 c	4.17 b	7.48 a	3.13 b	5.3 a	9.34 a	0.22 a	1.01 a	2.58 a	3.83 a	6.44 a
9	12	1.26 b	3.47 a	5.11 a	8.1 a	3.99 a	6 a	9.77 a	0.83 a	1.6 a	3.05 a	4.3 a	6.86 a
	16	0.41 d	2.74 c	4.42 b	7.46 a	3.42 a	5.42 a	9.24 a	0.48 a	1.26 a	2.78 a	4.03 a	6.62 a
	24		1.29 d	3.02 d	6.18 b	2.28 c	4.27 b	8.18 a		0.59 a	2.23 a	3.49 a	6.13 a
10	12	0.64 d	2.8 c	4.28 b	7.07 a	3.41 a	5.24 a	8.7 a	0.59 a	1.36 a	2.86 a	4.11 a	6.69 a
	16		1.95 d	3.49 c	6.34 b	2.74 c	4.57 b	8.09 a	0.16 b	0.95 a	2.52 a	3.77 a	6.39 a
	24		0.25 e	1.89 e	4.88 d	1.4 d	3.24 d	6.88 b		0.12 c	1.85 b	3.11 a	5.79 a
12	12		1.4 e	2.68 d	5.04 c	2.27 d	3.76 c	6.55 a	0.02 c	0.81 b	2.41 a	3.67 a	6.29 a
	16		0.38 f	1.73 e	4.18 d	1.4 e	2.93 d	5.83 c		0.22 c	1.93 b	3.19 a	5.86 a
	24				2.44 e		1.28 e	4.39 d			0.95 d	2.23 c	4.99 b
14	12		0.24 f	1.35 e	3.35 e	1.14 e	2.39 e	4.73 d		0.17 d	1.89 c	3.15 b	5.82 a
	16			0.29 f	2.38 e	0.13 f	1.45 e	3.92 e			1.22 d	2.49 d	5.23 b
	24				0.46 f			2.31 f				1.19 e	4.06 d
16	12			0.31 f	2.02 f	0.18 f	1.26 f	3.29 e			1.28 e	2.55 d	5.28 c
	16				0.99 f		0.25 f	2.43 f			0.41 e	1.69 e	4.51 d
	24							0.69 f					2.97 e

See Combined Axial and Lateral Load Table Notes on page 31.

Combined Axial and Lateral Load Tables



50 psf Lateral Load

Wall Height (ft)	Spacing (in.) o.c.	600S200-(mils)						600S250-(mils)				
		33 ksi		50 ksi				33 ksi	50 ksi			
		33	43	54	68	97	118	43	54	68	97	118
8	12	1.68 a	2.68 a	6.28 a	8.7 a	14.2 a	18.45 a	3.5 a	6.54 a	9.76 a	16.65 a	21.5 a
	16	1.4 a	2.4 a	5.88 a	8.3 a	13.82 a	18.05 a	3.08 a	6.15 a	9.33 a	16.18 a	21.02 a
	24	0.82 a	1.85 a	5.09 a	7.51 a	13.06 a	17.24 a	2.22 a	5.36 a	8.47 a	15.25 a	20.06 a
9	12	1.45 a	2.46 a	5.89 a	8.28 a	13.72 a	17.89 a	3.14 a	6.15 a	9.29 a	16.01 a	20.77 a
	16	1.08 a	2.11 a	5.39 a	7.78 a	13.24 a	17.39 a	2.6 a	5.66 a	8.76 a	15.43 a	20.17 a
	24	0.36 b	1.41 a	4.4 a	6.79 a	12.29 a	16.38 a	1.53 a	4.69 a	7.68 a	14.27 a	18.98 a
10	12	1.18 a	2.2 a	5.45 a	7.8 a	13.17 a	17.25 a	2.74 a	5.73 a	8.77 a	15.3 a	19.94 a
	16	0.74 a	1.77 a	4.85 a	7.2 a	12.59 a	16.64 a	2.08 a	5.13 a	8.12 a	14.6 a	19.22 a
	24		0.92 b	3.65 a	5.99 a	11.43 a	15.41 a	0.78 b	3.94 a	6.81 a	13.19 a	17.77 a
12	12	0.58 c	1.6 a	4.45 a	6.7 a	11.85 a	15.69 a	1.83 a	4.76 a	7.58 a	13.64 a	18 a
	16		1 c	3.62 b	5.87 a	11.05 a	14.85 a	0.91 b	3.93 a	6.68 a	12.68 a	17.01 a
	24			1.97 d	4.21 c	9.45 a	13.17 a		2.28 c	4.88 b	10.76 a	15.04 a
14	12		0.92 d	3.33 c	5.44 b	10.29 a	13.81 a	0.81 c	3.7 b	6.25 a	11.75 a	15.76 a
	16		0.12 e	2.28 d	4.38 c	9.27 b	12.74 a		2.62 d	5.09 c	10.53 a	14.51 a
	24			0.16 e	2.26 e	7.24 d	10.61 c		0.47 e	2.77 d	8.09 c	12.01 b
16	12		0.18 e	2.17 d	4.11 d	8.59 b	11.74 a		2.59 d	4.87 c	9.74 b	13.36 a
	16			0.9 e	2.84 e	7.37 d	10.47 c		1.25 e	3.44 d	8.28 c	11.87 b
	24				0.29 f	4.93 e	7.91 d			0.6 e	5.36 e	8.88 d

50 psf Lateral Load

Wall Height (ft)	Spacing (in.) o.c.	600S300-(mils)				600S350-(mils)				800S137-(mils)				
		50 ksi				50 ksi				33 ksi		50 ksi		
		54	68	97	118	54	68	97	118	33	43	54	68	97
8	12	6.84 a	9.97 a	17.97 a	23.6 a	9.08 a	13.5 a	22.51 a	30.03 a	0.93 a*	1.8 a	3.06 a	4.26 a	6.8 a
	16	6.44 a	9.55 a	17.51 a	23.12 a	8.66 a	13.05 a	22.02 a	29.52 a	0.64 a*	1.57 a	2.88 a	4.08 a	6.64 a
	24	5.65 a	8.71 a	16.58 a	22.16 a	7.82 a	12.14 a	21.03 a	28.5 a	0.07 a*	1.11 a	2.52 a	3.73 a	6.32 a
9	12	6.44 a	9.51 a	17.31 a	22.85 a	8.62 a	12.95 a	21.77 a	28.99 a	0.7 a*	1.62 a	2.92 a	4.12 a	6.67 a
	16	5.95 a	8.98 a	16.73 a	22.25 a	8.09 a	12.39 a	21.15 a	28.36 a	0.34 a*	1.33 a	2.69 a	3.89 a	6.47 a
	24	4.96 a	7.93 a	15.58 a	21.06 a	7.05 a	11.26 a	19.91 a	27.09 a		0.74 a	2.23 a	3.45 a	6.07 a
10	12	6.01 a	9 a	16.57 a	22.01 a	8.1 a	12.34 a	20.95 a	27.83 a	0.45 a*	1.41 a	2.76 a	3.96 a	6.53 a
	16	5.41 a	8.36 a	15.87 a	21.29 a	7.47 a	11.66 a	20.2 a	27.07 a		1.05 a	2.47 a	3.68 a	6.28 a
	24	4.2 a	7.08 a	14.48 a	19.84 a	6.2 a	10.29 a	18.7 a	25.54 a		0.33 a	1.9 a	3.13 a	5.79 a
12	12	5.02 a	7.87 a	14.88 a	20.1 a	6.96 a	10.96 a	19.13 a	25.22 a		0.94 a	2.38 a	3.6 a	6.2 a
	16	4.19 a	6.98 a	13.93 a	19.11 a	6.08 a	10.02 a	18.09 a	24.18 a		0.42 a	1.97 a	3.2 a	5.85 a
	24	2.52 c	5.2 b	12.02 a	17.11 a	4.33 b	8.13 a	16.03 a	22.12 a			1.15 b	2.41 a	5.13 a
14	12	3.92 b	6.61 a	12.99 a	18.01 a	5.7 a	9.43 a	16.94 a	22.32 a		0.38 b	1.94 a	3.17 a	5.82 a
	16	2.84 c	5.45 b	11.78 a	16.73 a	4.57 c	8.21 a	15.62 a	21.01 a			1.38 b	2.63 a	5.33 a
	24	0.68 e	3.14 d	9.34 c	14.16 a	2.31 d	5.77 c	12.97 b	18.41 a			0.26 d	1.55 c	4.36 b
16	12	2.76 d	5.26 c	11.03 a	15.44 a	4.37 c	7.8 b	14.37 a	19.27 a			1.42 c	2.67 b	5.37 a
	16	1.43 e	3.83 d	9.55 b	13.9 a	2.99 d	6.3 c	12.79 b	17.72 a			0.69 d	1.97 c	4.73 b
	24		0.96 e	6.59 d	10.83 c	0.22 e	3.31 e	9.63 d	14.61 c				0.56 e	3.46 d

See Combined Axial and Lateral Load Table Notes on page 31.

Combined Axial and Lateral Load Tables



50 psf Lateral Load													
Wall Height (ft)	Spacing (in.) o.c.	800S162-(mils)						800S200-(mils)					
		33 ksi		50 ksi				33 ksi		50 ksi			
		33	43	54	68	97	118	33	43	54	68	97	118
8	12	1.44 a*	2.6 a	4.76 a	6.59 a	10.66 a	13.72 a	1.94 a*	3.71 a	6.98 a	9.52 a	15.24 a	19.68 a
	16	1.1 a*	2.33 a	4.52 a	6.35 a	10.44 a	13.5 a	1.56 a*	3.42 a	6.7 a	9.24 a	14.97 a	19.4 a
	24	0.4 a*	1.77 a	4.03 a	5.88 a	10 a	13.06 a	0.81 a*	2.85 a	6.14 a	8.68 a	14.44 a	18.84 a
9	12	1.17 a*	2.38 a	4.57 a	6.4 a	10.48 a	13.54 a	1.64 a*	3.48 a	6.76 a	9.3 a	15.02 a	19.46 a
	16	0.73 a*	2.03 a	4.26 a	6.1 a	10.21 a	13.27 a	1.16 a*	3.12 a	6.4 a	8.95 a	14.69 a	19.11 a
	24		1.33 a	3.64 a	5.5 a	9.65 a	12.71 a	0.21 a*	2.39 a	5.69 a	8.24 a	14.01 a	18.4 a
10	12	0.86 a*	2.13 a	4.35 a	6.19 a	10.29 a	13.35 a	1.31 a*	3.23 a	6.51 a	9.05 a	14.79 a	19.21 a
	16	0.32 a*	1.7 a	3.97 a	5.82 a	9.95 a	13.01 a	0.72 a*	2.78 a	6.07 a	8.62 a	14.37 a	18.77 a
	24		0.83 a	3.21 a	5.08 a	9.26 a	12.32 a		1.88 a	5.18 a	7.75 a	13.54 a	17.9 a
12	12	0.14 a*	1.56 a	3.85 a	5.7 a	9.84 a	12.9 a	0.53 a*	2.63 a	5.92 a	8.48 a	14.24 a	18.64 a
	16		0.93 a	3.3 a	5.17 a	9.34 a	12.4 a		1.98 a	5.29 a	7.85 a	13.64 a	18.01 a
	24			2.21 a	4.1 a	8.36 a	11.42 a		0.69 b	4.02 a	6.6 a	12.44 a	16.75 a
14	12		0.88 a	3.26 a	5.13 a	9.3 a	12.36 a		1.9 a	5.11 a	7.65 a	13.51 a	17.96 a
	16		0.03 c	2.51 b	4.4 a	8.63 a	11.69 a		1.03 b	4.27 a	6.82 a	12.7 a	17.1 a
	24			1.02 d	2.95 c	7.29 a	10.35 a			2.58 c	5.14 b	11.08 a	15.39 a
16	12		0.1 c	2.57 b	4.46 a	8.69 a	11.75 a		1.08 c	4.18 a	6.65 a	12.33 a	16.68 a
	16			1.6 d	3.51 c	7.81 a	10.87 a			3.12 c	5.59 b	11.31 a	15.59 a
	24				0.91 d	4.57 c				1 d	3.48 d	9.26 b	13.43 a

50 psf Lateral Load														
Wall Height (ft)	Spacing (in.) o.c.	800S250-(mils)					800S300-(mils)				800S350-(mils)			
		33 ksi		50 ksi			50 ksi				50 ksi			
		43	54	68	97	118	54	68	97	118	54	68	97	118
8	12	4.05 a	7.33 a	10.9 a	18.63 a	24.46 a	7.65 a	11.18 a	20.38 a	26.82 a	10.06 a	14.85 a	24.87 a	33.28 a
	16	3.74 a	7.04 a	10.59 a	18.28 a	24.1 a	7.34 a	10.88 a	20.03 a	26.45 a	9.74 a	14.52 a	24.5 a	32.9 a
	24	3.11 a	6.45 a	9.97 a	17.6 a	23.38 a	6.72 a	10.27 a	19.34 a	25.73 a	9.1 a	13.87 a	23.77 a	32.13 a
9	12	3.79 a	7.07 a	10.62 a	18.28 a	24.04 a	7.36 a	10.88 a	19.96 a	26.35 a	9.74 a	14.49 a	24.45 a	32.75 a
	16	3.4 a	6.7 a	10.23 a	17.85 a	23.59 a	6.98 a	10.5 a	19.53 a	25.89 a	9.33 a	14.08 a	23.99 a	32.27 a
	24	2.61 a	5.95 a	9.45 a	16.99 a	22.68 a	6.2 a	9.73 a	18.65 a	24.98 a	8.52 a	13.26 a	23.06 a	31.31 a
10	12	3.5 a	6.77 a	10.3 a	17.89 a	23.55 a	7.05 a	10.54 a	19.49 a	25.81 a	9.37 a	14.1 a	23.93 a	32.15 a
	16	3.02 a	6.31 a	9.82 a	17.36 a	22.99 a	6.57 a	10.07 a	18.95 a	25.25 a	8.88 a	13.59 a	23.36 a	31.56 a
	24	2.05 a	5.4 a	8.86 a	16.3 a	21.88 a	5.62 a	9.13 a	17.88 a	24.13 a	7.88 a	12.58 a	22.23 a	30.38 a
12	12	2.83 a	6.07 a	9.55 a	16.96 a	22.35 a	6.31 a	9.74 a	18.34 a	24.51 a	8.53 a	13.16 a	22.63 a	30.74 a
	16	2.14 a	5.43 a	8.87 a	16.2 a	21.57 a	5.63 a	9.08 a	17.59 a	23.73 a	7.83 a	12.45 a	21.83 a	29.91 a
	24	0.76 a	4.13 a	7.5 a	14.7 a	20 a	4.28 a	7.75 a	16.09 a	22.15 a	6.43 a	11.02 a	20.24 a	28.25 a
14	12	2.05 a	5.25 a	8.58 a	15.66 a	20.85 a	5.44 a	8.79 a	16.96 a	22.93 a	7.55 a	12.05 a	21.11 a	28.81 a
	16	1.13 a	4.39 a	7.68 a	14.66 a	19.81 a	4.55 a	7.91 a	15.97 a	21.89 a	6.63 a	11.11 a	20.06 a	27.72 a
	24	-0.73 c	2.67 b	5.87 a	12.67 a	17.74 a	2.76 b	6.15 a	13.99 a	19.81 a	4.78 a	9.22 a	17.96 a	25.54 a
16	12	1.18 b	4.32 a	7.47 a	14.12 a	19.06 a	4.47 a	7.72 a	15.38 a	21.12 a	6.47 a	10.81 a	19.43 a	26.47 a
	16	-0.01 c	3.23 b	6.33 a	12.88 a	17.76 a	3.34 b	6.6 a	14.14 a	19.81 a	5.3 a	9.62 a	18.11 a	25.11 a
	24	-2.38 e	1.06 d	4.06 c	10.39 b	15.17 a	1.08 d	4.38 c	11.66 a	17.21 a	2.97 c	7.23 b	15.46 a	22.39 a

See Combined Axial and Lateral Load Table Notes on page 31.

Allowable Floor and Roof Joist Span Table Notes

1. All loads are computed in accordance with AISI S100-16/S2-20, NAS for Design of Cold-Formed Steel Structural Members with Supplement 2.
2. Total loads shown are for single span condition and are limited by allowable bending stress or allowable end shear. Live loads shown are limited by allowable bending stress, allowable end shear, or by deflection on $1/360$ of span.
3. Total load values in table are based on maximum allowable stress only. To limit total load deflection to $1/240$ of span, multiply live load value shown by 1.5.
4. For two equal continuous spans, the total load shown in these tables will not change. The live load shown may be increased by a factor of 2.4 to maintain the $L/360$ live load deflection limit, however live load, in any case, cannot exceed the total load shown. Combined bending and shear stresses should be investigated by the designer.
5. Joists must be braced against rotation at all supports.
6. End web crippling check is based on 3.5 inch end bearing. Joist flanges must be fastened to the support.
7. Spans are based on continuous support of compression flange over the full length of the joist.
8. End shear and web crippling capacity have not been reduced for punchouts.
9. "a" indicates that web stiffeners are required at all supports.
10. Allowable flexural strength values in the tables are based on the minimum of local, distortional, and lateral-torsional buckling. Distortional buckling strength is based on a $k\phi = 0$. Higher values may be obtained when sheathing is applied to the walls resulting in a higher $k\phi$ value.

Floor and Roof Joist Span Tables



Allowable Uniform Load Table (psf) - Simple Span Joists @ 24" o.c. Spacing

Member	Fy (ksi)	Load	Span (ft)																
			6'-0"	7'-0"	8'-0"	9'-0"	10'-0"	11'-0"	12'-0"	13'-0"	14'-0"	15'-0"	16'-0"	17'-0"	18'-0"	19'-0"	20'-0"	22'-0"	24'-0"
600S162-33	33	Total	168	124	95	75	61	50	42	36	31	27	24	21	19	17	15	13	11
		Live	168	124	95	75	61	50	42	36	29	23	19	16	13	11	10	7	6
600S200-33	33	Total	193	142	109	86	70	57	48	41	35	31	27	24	21	19	17	14	12
		Live	193	142	109	86	70	57	48	41	33	27	22	18	15	13	11	8	7
600S162-43	33	Total	252	185	142	112	91	75	63	54	46	40	35	31	28	25	23	19	16
		Live	252	185	142	112	91	75	59	46	37	30	25	21	17	15	13	10	7
600S200-43	33	Total	276	203	155	123	99	82	69	59	51	44	39	34	31	27	25	21	17
		Live	276	203	155	123	99	82	68	53	43	35	29	24	20	17	15	11	8
600S250-43	33	Total	291	214	164	129	105	87	73	62	53	47	41	36	32	29	26	22	18
		Live	291	214	164	129	105	87	73	61	49	40	33	27	23	20	17	13	10
600S162-54	50	Total	426	313	240	189	153	127	107	91	78	68	60	53	47	43	38	32	27
		Live	426	313	240	172	125	94	72	57	46	37	31	25	21	18	16	12	9
600S200-54	50	Total	487	358	274	217	175	145	122	104	90	78	69	61	54	49	44	36	30
		Live	487	358	274	199	145	109	84	66	53	43	35	30	25	21	18	14	10
600S250-54	50	Total	513	377	289	228	185	153	128	109	94	82	72	64	67	61	46	38	32
		Live	513	377	289	228	167	125	97	76	61	49	41	34	29	24	21	16	12
600S162-68	50	Total	612	450	344	272	220	182	153	130	112	98	86	76	68	61	55	46	38
		Live	612	449	301	211	154	116	89	70	56	46	38	31	26	22	19	14	11
600S200-68	50	Total	657	483	370	292	237	195	164	140	121	105	92	82	73	66	59	49	41
		Live	657	483	350	246	179	135	104	82	65	53	44	36	31	26	22	17	13
600S250-68	50	Total	697	512	392	310	251	207	174	148	128	111	98	87	77	69	63	52	44
		Live	697	512	392	283	207	155	120	94	75	61	50	42	35	30	26	19	15
600S162-97	50	Total	1005	738	565	447	362	299	251	214	185	161	141	125	112	100	90	75	63
		Live	971	612	410	288	210	158	121	95	76	62	51	43	36	31	26	20	15
600S200-97	50	Total	1127	828	634	501	406	335	282	240	207	180	158	140	125	112	101	84	70
		Live	1127	715	479	337	245	184	142	112	89	73	60	50	42	36	31	23	18
600S250-97	50	Total	1096	805	616	487	395	326	274	233	201	175	154	137	122	109	99	82	68
		Live	1096	805	555	390	284	213	164	129	104	84	69	58	49	41	36	27	21
600S162-118	50	Total	1207 a	933	714	564	457	378	317	271	233	203	179	158	141	127	114	94	79
		Live	1145 a	721	483	339	247	186	143	113	90	73	60	50	42	36	31	23	18
600S200-118	50	Total	1207 a	1035	811	641	519	429	361	307	265	231	203	180	160	144	130	107	90
		Live	1207 a	847	567	398	290	218	168	132	106	86	71	59	50	42	36	27	21
600S250-118	50	Total	1207 a	1026	785	620	503	415	349	297	256	223	196	174	155	139	126	104	87
		Live	1207 a	983	659	463	337	253	195	154	123	100	82	69	58	49	42	32	24
800S162-331	33	Total	126 a	108	95	84	68	56	47	40	35	30	26	23	21	19	17	14	12
		Live	126 a	108 a	95 a	84	68	56	47	40	35	30	26	23	21	19	17	14	11
800S200-331	33	Total	126 a	108 a	95 a	84 a	76 a	65	54	46	40	35	31	27	24	22	20	16	14
		Live	126 a	108 a	95 a	84 a	76 a	65	54	46	40	35	31	27	24	22	20	16	13
800S162-43	33	Total	326	240	184	145	117	97	82	70	60	52	46	41	36	33	29	24	20
		Live	326	240	184	145	117	97	82	70	60	52	46	40	34	29	25	18	14
800S200-43	33	Total	350 a	277	212	167	136	112	94	80	69	60	53	47	42	38	34	28	24
		Live	350 a	277	212	167	136	112	94	80	69	60	53	47	40	34	29	22	17
800S250-43	33	Total	350 a	291	223	176	143	118	99	84	73	63	56	49	44	40	36	29	25
		Live	350 a	291	223	176	143	118	99	84	73	63	56	49	44	38	33	25	19
800S162-54	50	Total	580	426	326	258	209	173	145	124	107	93	82	72	64	58	52	43	36
		Live	580	426	326	258	209	173	144	113	91	74	61	51	43	36	31	23	18
800S200-54	50	Total	667	490	375	296	240	198	167	144	122	107	94	83	74	67	60	50	42
		Live	667	490	375	296	240	198	166	131	105	85	70	58	49	42	36	27	21
800S250-54	50	Total	697 a	515	394	311	252	208	175	149	129	112	99	87	78	70	63	52	44
		Live	697 a	515	394	311	252	208	175	147	118	96	79	66	55	47	40	30	23
800S162-68	50	Total	794	584	447	353	286	236	199	169	146	127	112	99	88	47	71	59	50
		Live	794	584	447	353	286	232	179	141	113	92	75	63	53	45	39	29	22
800S200-68	50	Total	910	668	512	404	328	271	227	194	167	146	128	113	101	91	82	68	57
		Live	910	668	512	404	328	267	206	162	130	105	87	72	61	52	44	33	26
800S250-68	50	Total	960	705	540	427	346	286	240	205	176	154	135	120	107	96	86	71	60
		Live	960	705	540	427	346	286	234	184	147	120	99	82	69	59	51	38	29
800S162-97	50	Total	1385	1017	779	615	498	412	346	295	254	222	195	172	154	138	125	103	87
		Live	1385	1017	779	583	425	319	246	193	155	126	104	86	73	62	53	40	31
800S200-97	50	Total	1589	1168	894	706	572	473	397	339	292	254	224	198	177	159	143	118	99
		Live	1589	1168	894	672	490	368	283	223	178	145	120	100	84	71	61	46	35
800S250-97	50	Total	1537	1129	865	683	553	457	384	327	282	246	216	192	171	153	138	114	96
		Live	1537	1129	865	683	553	420	324	254	204	166	136	114	96	82	70	53	40

Total loads shown are for single span condition and are limited by allowable bending stress or allowable end shear. Live loads shown are limited by allowable bending stress, allowable end shear, or by deflection of 1/360 of span. To limit total load deflection to 1/240 of span, multiply Live Load value shown by 1.5, or apply the Total Load value, whichever is less.

See additional Allowable Floor Joist Span Table Notes on page 62.

Floor and Roof Joist Span Tables



Allowable Uniform Load Table (psf) - Simple Span Joists @ 24" o.c. Spacing

Member	Fy (ksi)	Load	Span (ft)																
			6'-0"	7'-0"	8'-0"	9'-0"	10'-0"	11'-0"	12'-0"	13'-0"	14'-0"	15'-0"	16'-0"	17'-0"	18'-0"	19'-0"	20'-0"	22'-0"	24'-0"
800S162-118	50	Total	1868	1372	1051	830	672	556	467	398	343	299	263	233	208	186	168	139	117
		Live	1868	1372	983	690	503	378	291	229	183	149	123	102	86	73	63	47	36
800S200-118	50	Total	2080	1528	1170	925	749	619	520	443	382	333	293	259	231	207	187	155	130
		Live	2080	1528	1137	799	582	437	337	265	212	173	142	119	100	85	73	55	42
800S250-118	50	Total	1982	1456	1115	881	714	590	496	422	364	317	279	247	220	198	178	147	124
		Live	1982	1456	1115	881	666	501	386	303	243	197	163	136	114	97	83	63	48

Member	Fy (ksi)	Load	Span (ft)																
			11'-0"	12'-0"	13'-0"	14'-0"	15'-0"	16'-0"	17'-0"	18'-0"	19'-0"	20'-0"	22'-0"	24'-0"	26'-0"	28'-0"	30'-0"	32'-0"	34'-0"
1000S162-43 ¹	33	Total	100	84	71	62	54	47	42	37	33	30	25	21	18	15	13	12	10
		Live	100	84	71	62	54	47	42	37	33	30	25	21	18	15	12	10	8
1000S200-43 ¹	33	Total	117	98	84	72	63	55	49	44	39	35	29	25	21	18	16	14	12
		Live	117	98	84	72	63	55	49	44	39	35	29	25	21	17	14	11	10
1000S250-43 ¹	33	Total	122	104	88	76	66	58	52	46	41	37	31	26	22	19	17	15	13
		Live	122	104	88	76	66	58	52	46	41	37	31	26	22	19	17	14	11
1000S162-54	50	Total	213	179	153	132	115	101	89	80	71	64	53	45	38	33	29	25	22
		Live	213	179	153	132	115	101	86	72	61	53	40	30	24	19	16	13	11
1000S200-54	50	Total	248	209	178	153	134	117	104	93	83	75	62	52	44	38	33	29	26
		Live	248	209	178	153	134	117	98	82	70	60	45	35	27	22	18	15	12
1000S250-54	50	Total	283	221	188	162	141	124	110	98	88	79	66	55	47	41	35	31	27
		Live	283	221	188	162	141	124	110	95	81	69	52	40	32	25	21	17	14
1000S162-68	50	Total	296	249	212	183	159	140	124	111	99	90	74	62	53	46	40	35	31
		Live	296	249	212	183	155	128	107	90	76	65	49	38	30	24	19	16	13
1000S200-68	50	Total	342	288	245	211	184	162	143	128	115	104	86	72	61	53	46	40	36
		Live	342	288	245	211	177	146	122	102	87	75	56	43	34	27	22	18	15
1000S250-68	50	Total	363	305	260	224	195	172	152	136	122	110	91	76	65	56	49	43	38
		Live	363	305	260	224	195	168	140	118	100	86	65	50	39	31	25	21	18
1000S162-97	50	Total	483	406	346	298	260	228	202	180	162	146	121	102	86	75	65	57	51
		Live	483	406	338	270	220	181	151	127	108	93	70	54	42	34	27	23	19
1000S200-97	50	Total	554	465	396	342	298	262	232	207	186	167	138	116	99	85	74	65	58
		Live	554	465	385	308	250	206	172	145	123	106	79	61	48	39	31	26	22
1000S250-97	50	Total	590	496	423	364	317	279	247	220	198	179	148	124	106	91	79	70	62
		Live	590	496	423	348	283	233	194	164	139	119	90	69	54	43	35	29	24
1000S162-118	50	Total	664	558	476	410	357	314	278	248	223	201	166	140	119	103	89	78	70
		Live	663	510	401	321	261	215	179	151	129	110	83	64	50	40	33	27	22
1000S200-118	50	Total	759	638	543	469	408	359	318	283	254	230	190	159	136	117	102	90	79
		Live	757	583	459	367	299	246	205	173	147	126	95	73	57	46	37	31	26
1000S250-118	50	Total	769	646	551	475	414	364	322	287	258	233	192	162	138	119	103	91	81
		Live	769	646	519	416	338	278	232	195	166	143	107	82	65	52	42	35	29
1200S162-54 ¹	50	Total	200 a	174	148	128	111	98	87	77	69	63	52	43	37	32	28	24	22
		Live	200 a	174	148	128	111	98	87	77	69	63	52	43	37	29	24	20	16
1200S200-54 ¹	50	Total	200 a	184 a	170	151	131	115	102	91	82	74	61	51	44	38	33	29	26
		Live	200 a	184 a	170	151	131	115	102	91	82	74	61	51	41	33	26	22	18
1200S250-54 ¹	50	Total	200 a	171	146	126	109	96	85	76	68	62	51	43	47	40	35	31	27
		Live	200 a	171	146	126	109	96	85	76	68	62	51	43	46	37	30	25	21
1200S162-68	50	Total	348	293	249	215	187	165	146	130	117	105	87	73	62	54	47	41	36
		Live	348	293	249	215	187	165	146	130	117	101	76	58	46	37	30	25	20
1200S200-68	50	Total	407	342	292	251	219	193	171	152	137	123	102	86	73	63	55	48	45
		Live	407	342	292	251	219	193	171	152	133	114	86	66	52	42	34	28	23
1200S250-68	50	Total	436	366	312	269	234	206	182	163	146	132	109	91	78	67	59	51	46
		Live	436	366	312	269	234	206	182	163	146	129	97	75	59	47	38	31	26
1200S162-97	50	Total	581	488	416	358	312	274	243	217	195	176	145	122	104	90	78	69	61
		Live	581	488	416	358	312	274	238	200	170	146	110	85	67	53	43	36	30
1200S200-97	50	Total	671	564	481	414	361	317	281	251	225	203	168	141	120	104	90	79	70
		Live	671	564	481	414	361	317	269	226	192	165	124	95	75	60	49	40	34
1200S250-97	50	Total	719	604	515	444	387	340	301	269	241	218	180	151	129	111	97	85	75
		Live	719	604	515	444	387	340	301	254	216	185	139	107	84	67	55	45	38

Total loads shown are for single span condition and are limited by allowable bending stress or allowable end shear. Live loads shown are limited by allowable bending stress, allowable end shear, or by deflection of 1/360 of span. To limit total load deflection to 1/240 of span, multiply Live Load value shown by 1.5, or apply the Total Load value, whichever is less.

See additional Allowable Floor Joist Span Table Notes on page 62.

Floor and Roof Joist Span Tables



Allowable Uniform Load Table (psf) - Simple Span Joists @ 24" o.c. Spacing

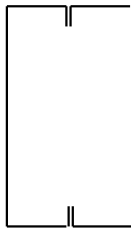
Member	Fy (ksi)	Load	Span (ft)																
			11'-0"	12'-0"	13'-0"	14'-0"	15'-0"	16'-0"	17'-0"	18'-0"	19'-0"	20'-0"	22'-0"	24'-0"	26'-0"	28'-0"	30'-0"	32'-0"	34'-0"
1200S162-118	50	Total	765	643	548	472	411	362	320	286	256	231	191	161	137	118	103	90	80
		Live	765	643	548	472	411	343	286	241	205	176	132	102	80	64	52	43	35
1200S200-118	50	Total	881	740	631	544	474	416	369	329	295	266	220	185	158	136	118	104	92
		Live	881	740	631	544	471	388	323	272	232	199	149	115	90	72	59	48	40
1200S250-118	50	Total	947	796	678	585	509	448	396	354	317	286	237	199	169	146	127	112	99
		Live	947	796	678	585	509	435	362	305	260	223	167	129	101	81	66	54	44
1200S300-118	50	Total	993	834	711	613	534	469	416	371	333	300	248	209	178	153	134	117	104
		Live	993	834	711	613	534	469	401	338	287	246	185	143	112	90	73	60	49
1200S350-118	50	Total	1197	1006	857	739	644	566	501	447	401	362	299	252	214	185	161	141	125
		Live	1197	1006	857	739	644	555	463	390	331	284	213	164	129	104	84	69	56
1400S200-54 ¹	50	Total	171 a	157 a	145	134 a	125 a	118 a	111 a	103	92	83	69	58	49	43	37	33	29
		Live	171 a	157 a	145 a	134 a	125 a	118 a	111 a	103	92	83	69	58	49	43	37	31	26
1400S250-54 ¹	50	Total	171 a	157 a	145 a	134 a	125 a	118 a	111 a	105 a	99 a	90	74	63	53	46	40	35	31
		Live	171 a	157 a	145 a	134 a	125 a	118 a	111 a	105 a	99 a	90	74	63	53	46	40	35	29
1400S300-54 ¹	50	Total	171 a	157 a	145 a	134 a	125 a	118 a	111 a	105 a	99 a	94 a	78	65	56	48	42	37	33
		Live	171 a	157 a	145 a	134 a	125 a	118 a	111 a	105 a	99 a	94 a	78	65	56	48	42	36	30
1400S200-68	50	Total	430 a	390	332	287	250	219	194	173	156	140	116	98	83	72	62	55	49
		Live	430 a	390	332	287	250	219	194	173	156	140	116	94	74	59	48	40	31
1400S250-68	50	Total	430 a	394 a	359	310	270	237	210	187	168	152	125	105	90	77	67	59	53
		Live	430 a	394 a	359	310	270	237	210	187	168	152	125	105	84	67	54	45	32
1400S300-68	50	Total	430 a	394 a	364 a	325	283	249	220	196	176	159	131	110	94	81	71	62	55
		Live	430 a	394 a	364 a	325	283	249	220	196	176	159	131	110	91	73	59	49	30
1400S200-97	50	Total	778	654	557	480	419	368	326	291	261	235	195	163	139	120	105	92	81
		Live	778	654	557	480	419	368	326	291	261	235	179	138	109	87	71	58	46
1400S250-97	50	Total	840	706	602	519	452	397	352	314	282	254	210	177	150	130	113	99	88
		Live	840	706	602	519	452	397	352	314	282	254	200	154	121	97	79	65	50
1400S300-97	50	Total	883	742	632	545	475	417	370	330	296	267	221	185	158	136	119	104	92
		Live	883	742	632	545	475	417	370	330	296	267	219	169	133	106	86	71	54
1400S200-118	50	Total	1032	867	739	637	555	488	432	385	346	312	258	217	185	159	139	122	108
		Live	1032	867	739	637	555	488	432	385	341	293	220	169	133	107	87	71	57
1400S250-118	50	Total	1116	938	799	689	600	528	467	417	374	338	279	235	200	172	150	132	117
		Live	1116	938	799	689	600	528	467	417	374	325	244	188	148	119	96	79	64
1400S300-118	50	Total	1175	988	842	726	632	556	492	439	394	356	294	247	210	181	158	139	123
		Live	1175	988	842	726	632	556	492	439	394	356	269	207	163	131	106	87	69
1600S200-68 ¹	50	Total	300 a	275 a	254 a	236 a	220 a	203	180	160	144	130	107	90	77	66	58	51	45
		Live	300 a	275 a	254 a	236 a	220 a	203	180	160	144	130	107	90	77	66	58	51	42
1600S250-68 ¹	50	Total	300 a	275 a	254 a	236 a	220 a	206 a	194 a	175	157	142	117	98	84	72	63	55	49
		Live	300 a	275 a	254 a	236 a	220 a	206 a	194 a	175	157	142	117	98	84	72	63	55	43
1600S300-68 ¹	50	Total	300 a	275 a	254 a	236 a	220 a	206 a	194 a	183	166	150	124	104	88	76	66	58	52
		Live	300 a	275 a	254 a	236 a	220 a	206 a	194 a	183 a	166	150	124	104	88	76	66	58	45
1600S350-68 ¹	50	Total	300 a	275 a	254 a	236 a	220 a	206 a	194 a	183 a	174 a	165 a	150 a	130	111	96	83	73	65
		Live	300 a	275 a	254 a	236 a	220 a	206 a	194 a	183 a	174 a	165 a	150 a	130	111	96	83	73	54
1600S200-97	50	Total	874	734	626	539	470	413	366	326	293	264	218	184	156	135	117	103	91
		Live	874	734	626	539	470	413	366	326	293	264	218	184	149	119	97	80	63
1600S250-97	50	Total	951	799	681	587	511	450	398	355	319	288	238	200	170	147	128	112	100
		Live	951	799	681	587	511	450	398	355	319	288	238	200	166	133	108	89	68
1600S300-97	50	Total	1006	845	720	621	541	475	421	376	337	304	251	211	180	155	135	119	105
		Live	1006	845	720	621	541	475	421	376	337	304	251	211	180	145	118	97	73
1600S350-97	50	Total	1099	1007	883	761	663	583	516	461	413	373	308	259	221	190	166	146	129
		Live	1099	1007	883	761	663	583	516	461	413	373	308	259	208	167	136	112	83
1600S200-118	50	Total	1170	983	837	722	629	553	490	437	392	354	292	246	209	181	157	138	122
		Live	1170	983	837	722	629	553	490	437	392	354	292	234	184	148	120	99	79
1600S250-118	50	Total	1274	1071	912	787	685	602	533	476	427	385	319	268	228	197	171	151	133
		Live	1274	1071	912	787	685	602	533	476	427	385	319	259	204	163	133	109	87
1600S300-118	50	Total	1349	1134	966	833	726	638	565	504	452	408	337	283	241	208	181	159	141
		Live	1349	1134	966	833	726	638	565	504	452	408	337	283	224	179	146	120	94
1600S350-118	50	Total	1633	1372	1169	1008	878	772	684	610	547	494	408	343	292	252	220	193	171
		Live	1633	1372	1169	1008	878	772	684	610	547	494	408	324	240	204	166	137	107

Total loads shown are for single span condition and are limited by allowable bending stress or allowable end shear. Live loads shown are limited by allowable bending stress, allowable end shear, or by deflection of 1/360 of span. To limit total load deflection to 1/240 of span, multiply Live Load value shown by 1.5, or apply the Total Load value, whichever is less.

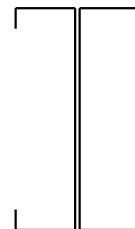
See additional Allowable Floor Joist Span Table Notes on page 62.

Header Load Table Notes

1. Calculated properties are based on AISI S100-16/S2-20, "North American Specification for Design of Cold-Formed Steel Structural Members."
2. Allowable deflection limit is $L/360$.
3. Allowable capacities have not been modified for wind or earthquake loading.
4. Headers are made from two "boxed" or back-to-back members.
4. Allowable moment, shear, and web crippling capacities are based on twice the capacity of a single member. The moment of inertia is based on twice the value of the single member.
5. Minimum bearing length for web crippling = 1-inch
6. Capacities are calculated for unpunched members only.
7. Members are assumed adequately braced for bending.
8. Allowable loads are for simply supported headers with uniform bending loads only.
9. "e" Web stiffeners are required at each support.



Boxed Header



Back-to-Back "I" Header

Header Load Tables

Header Allowable Uniform Loads (lb/ft)								
Member	Yield, F_y , ksi	SPAN						
		3 (ft)	4 (ft)	5 (ft)	6 (ft)	8 (ft)	10 (ft)	12 (ft)
550S162-33	33	931 e	698 e	535 e	371 e	209 e	127 e	74 e
550S162-43	33	2066 e	1203 e	770 e	535 e	301 e	165 e	95 e
550S162-54	33	2761 e	1553 e	994 e	690 e	388 e	203 e	118
550S162-54	50	3617 e	2034 e	1302 e	904 e	397 e	203 e	118
550S162-68	50	5032 e	2831 e	1812 e	1158 e	489 e	250 e	145
600S137-33	33	850 e	638 e	465 e	323 e	182 e	116 e	78 e
600S162-33	33	851 e	638 e	510 e	420 e	236 e	151 e	91 e
600S200-33	33	851 e	638 e	510 e	425 e	251 e	161 e	104 e
600S137-43	33	1860 e	1046 e	670 e	465 e	262 e	167 e	103 e
600S162-43	33	1887 e	1357 e	869 e	603 e	339 e	202 e	117 e
600S200-43	33	1887 e	1415 e	915 e	636 e	358 e	229 e	136 e
600S250-43	33	1887 e	1415 e	958 e	665 e	374 e	240 e	156 e
600S137-54	33	2419 e	1361 e	871 e	605 e	340 e	218 e	127
600S137-54	50	3393 e	1909 e	1222 e	848 e	430 e	220 e	127
600S162-54	33	3119 e	1754 e	1123 e	780 e	439 e	250 e	145 e
600S162-54	50	3763 e	2299 e	1472 e	1022 e	488 e	250 e	145 e
600S200-54	33	3550 e	1997 e	1278 e	887 e	499 e	290 e	168 e
600S200-54	50	3763 e	2514 e	1609 e	1117 e	567 e	290 e	168 e
600S250-54	33	3364 e	1892 e	1211 e	841 e	473 e	303 e	193 e
600S250-54	50	3763 e	2630 e	1683 e	1169 e	644 e	330 e	191 e
600S137-68	50	4540 e	2554 e	1635 e	1135 e	528 e	271 e	157
600S162-68	50	5685 e	3198 e	2046 e	1421 e	602 e	308 e	178
600S200-68	50	5906 e	3322 e	2126 e	1476 e	700 e	358 e	207 e
600S250-68	50	6089 e	3425 e	2192 e	1522 e	807 e	413 e	239 e
600S137-97	50	7480 e	4208 e	2693 e	1696 e	715	366	212
600S162-97	50	8358 e	4702 e	3009 e	1942 e	819	420	243
600S200-97	50	9517 e	5353 e	3426 e	2272 e	959 e	491	284
600S250-97	50	9174 e	5160 e	3303 e	2293 e	1110 e	568	329
600S162-118	50	10159 e	5715 e	3657 e	2289 e	966	495	286
600S200-118	50	11568 e	6507 e	4165 e	2690 e	1135	581	336
600S250-118	50	11321 e	6368 e	4076 e	2830 e	1318 e	675	390
800S137-33 ¹	33	632 e	474 e	379 e	316 e	208 e	133 e	93 e
800S162-33 ¹	33	632 e	474 e	379 e	316 e	237 e	153 e	106 e
800S200-33 ¹	33	632 e	474 e	379 e	316 e	237 e	174 e	121 e
800S137-43	33	1401 e	1051 e	841 e	641 e	361 e	231 e	160 e
800S162-43	33	1401 e	1051 e	841 e	701 e	412 e	264 e	183 e
800S200-43	33	1401 e	1051 e	841 e	701 e	526 e	339 e	236 e
800S250-43	33	1401 e	1051 e	841 e	701 e	526 e	341 e	237 e
800S137-54	33	2788 e	1916 e	1226 e	852 e	479 e	307 e	213 e
800S137-54	50	2788 e	2091 e	1673 e	1173 e	660 e	422 e	252 e
800S162-54	33	2788 e	2091 e	1391 e	966 e	543 e	348 e	241 e
800S162-54	50	2788 e	2091 e	1673 e	1336 e	752 e	481 e	284 e
800S200-54	33	2788 e	2091 e	1673 e	1321 e	743 e	476 e	330 e
800S200-54	50	2788 e	2091 e	1673 e	1394 e	925 e	575 e	332 e
800S250-54	33	2788 e	2091 e	1673 e	1246 e	701 e	449 e	312 e
800S250-54	50	2788 e	2091 e	1673 e	1394 e	929 e	595 e	374 e
800S137-68	50	5627 e	3621 e	2318 e	1610 e	905 e	550 e	318 e
800S162-68	50	5627 e	4110 e	2631 e	1827 e	1028 e	618 e	358 e
800S200-68	50	5627 e	4220 e	3176 e	2205 e	1240 e	712 e	412 e
800S250-68	50	5627 e	4220 e	3268 e	2270 e	1277 e	809 e	468 e
800S137-97	50	10850 e	6103 e	3906 e	2712 e	1468 e	752 e	435
800S162-97	50	12255 e	6894 e	4412 e	3064 e	1659 e	849 e	491
800S200-97	50	14283 e	8034 e	5142 e	3571 e	1913 e	980 e	567
800S250-97	50	13603 e	7652 e	4897 e	3401 e	1913 e	1118 e	647 e
800S162-118	50	15551 e	8748 e	5598 e	3888 e	1965 e	1006 e	582
800S200-118	50	17437 e	9808 e	6277 e	4359 e	2274 e	1164 e	674
800S250-118	50	16794 e	9447 e	6046 e	4199 e	2362 e	1333 e	771
1000S162-43 ¹	33	1115 e	836 e	669 e	557 e	418 e	280 e	194 e
1000S200-43 ¹	33	1115 e	836 e	669 e	557 e	418 e	317 e	220 e
1000S250-43 ¹	33	1115 e	836 e	669 e	557 e	418 e	334 e	241 e

See Header Load Table Notes on page 66.

Header Load Tables



Header Allowable Uniform Loads (lb/ft)

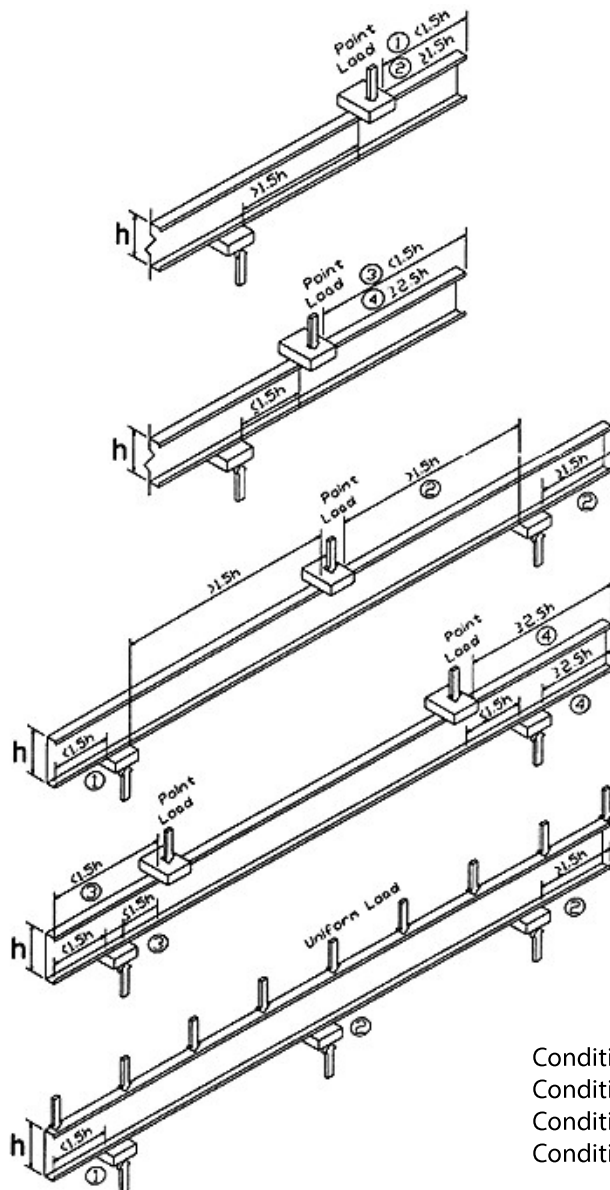
Member	Yield, F_y , ksi	SPAN						
		3 (ft)	4 (ft)	5 (ft)	6 (ft)	8 (ft)	10 (ft)	12 (ft)
1000S162-54	33	2213 e	1660 e	1328 e	1107 e	697 e	446 e	310 e
1000S162-54	50	2213 e	1660 e	1328 e	1107 e	830 e	611 e	424 e
1000S200-54	33	2213 e	1660 e	1328 e	1107 e	806 e	516 e	358 e
1000S200-54	50	2213 e	1660 e	1328 e	1107 e	830 e	663 e	460 e
1000S250-54	33	2213 e	1660 e	1328 e	1107 e	830 e	594 e	412 e
1000S250-54	50	2213 e	1660 e	1328 e	1107 e	830 e	664 e	505 e
1000S162-68	50	4460 e	3345 e	2676 e	2230 e	1323 e	847 e	588 e
1000S200-68	50	4460 e	3345 e	2676 e	2230 e	1490 e	954 e	662 e
1000S250-68	50	4460 e	3345 e	2676 e	2230 e	1673 e	1092 e	759 e
1000S162-97	50	13149 e	8120 e	5197 e	3609 e	2030 e	1299 e	858 e
1000S200-97	50	13149 e	9298 e	5950 e	4132 e	2324 e	1488 e	978 e
1000S250-97	50	13149 e	9862 e	6709 e	4659 e	2621 e	1677 e	1104 e
1000S162-118	50	19372 e	10897 e	6974 e	4843 e	2724 e	1743 e	1021 e
1000S200-118	50	21652 e	12453 e	7970 e	5534 e	3113 e	1992 e	1166 e
1000S250-118	50	21652 e	12938 e	8280 e	5750 e	3234 e	2070 e	1320 e
1200S162-54 ¹	33	1836 e	1377 e	1102 e	918 e	689 e	454 e	315 e
1200S162-54 ¹	50	1836 e	1377 e	1102 e	918 e	689 e	551 e	433 e
1200S200-54 ¹	33	1836 e	1377 e	1102 e	918 e	689 e	524 e	364 e
1200S200-54 ¹	50	1836 e	1377 e	1102 e	918 e	689 e	551 e	459 e
1200S250-54 ¹	33	1836 e	1377 e	1102 e	918 e	689 e	534 e	371 e
1200S250-54 ¹	50	1836 e	1377 e	1102 e	918 e	689 e	551 e	459 e
1200S162-68	50	3693 e	2770 e	2216 e	1847 e	1385 e	1034 e	718 e
1200S200-68	50	3693 e	2770 e	2216 e	1847 e	1385 e	1108 e	807 e
1200S250-68	50	3693 e	2770 e	2216 e	1847 e	1385 e	1108 e	814 e
1200S162-97	50	10860 e	8145 e	6476 e	4497 e	2530 e	1619 e	1124 e
1200S200-97	50	10860 e	8145 e	6516 e	5130 e	2886 e	1847 e	1283 e
1200S250-97	50	10860 e	8145 e	6516 e	5430 e	3117 e	1995 e	1385 e
1200S162-118	50	19976 e	12852 e	8225 e	5712 e	3213 e	2056 e	1428 e
1200S200-118	50	19976 e	14591 e	9338 e	6485 e	3648 e	2335 e	1621 e
1200S250-118	50	19976 e	14982 e	10438 e	7249 e	4077 e	2609 e	1812 e
1200S300-118	50	19976 e	14982 e	11551 e	8022 e	4512 e	2888 e	2005 e
1200S350-118	50	19976 e	14982 e	11986 e	9241 e	5198 e	3327 e	2310 e
1400S200-54 ¹	33	1568 e	1176 e	941 e	784 e	588 e	470 e	392 e
1400S200-54 ¹	50	1568 e	1176 e	941 e	784 e	588 e	470 e	392 e
1400S250-54 ¹	33	1568 e	1176 e	941 e	784 e	588 e	470 e	392 e
1400S250-54 ¹	50	1568 e	1176 e	941 e	784 e	588 e	470 e	392 e
1400S300-54 ¹	33	1568 e	1176 e	941 e	784 e	588 e	470 e	392 e
1400S300-54 ¹	50	1568 e	1176 e	941 e	784 e	588 e	470 e	392 e
1400S200-68	50	3152 e	2364 e	1891 e	1576 e	1182 e	946 e	788 e
1400S250-68	50	3152 e	2364 e	1891 e	1576 e	1182 e	946 e	788 e
1400S300-68	50	3152 e	2364 e	1891 e	1576 e	1182 e	946 e	788 e
1400S200-97	50	9251 e	6938 e	5550 e	4625 e	3444 e	2204 e	1531 e
1400S250-97	50	9251 e	6938 e	5550 e	4625 e	3469 e	2373 e	1648 e
1400S300-97	50	9251 e	6938 e	5550 e	4625 e	3469 e	2516 e	1747 e
1400S200-118	50	16991 e	12743 e	10194 e	7825 e	4401 e	2817 e	1956 e
1400S250-118	50	16991 e	12743 e	10194 e	8495 e	4899 e	3135 e	2177 e
1400S300-118	50	16991 e	12743 e	10194 e	8495 e	5224 e	3344 e	2322 e
1600S200-68 ¹	50	2749 e	2062 e	1650 e	1375 e	1031 e	825 e	687 e
1600S250-68 ¹	50	2749 e	2062 e	1650 e	1375 e	1031 e	825 e	687 e
1600S300-68 ¹	50	2749 e	2062 e	1650 e	1375 e	1031 e	825 e	687 e
1600S350-68 ¹	50	2749 e	2062 e	1650 e	1375 e	1031 e	825 e	687 e
1600S200-97	50	8056 e	6042 e	4834 e	4028 e	3021 e	2417 e	1778 e
1600S250-97	50	8056 e	6042 e	4834 e	4028 e	3021 e	2417 e	1909 e
1600S300-97	50	8056 e	6042 e	4834 e	4028 e	3021 e	2417 e	2014 e
1600S350-97	50	8056 e	6042 e	4834 e	4028 e	3021 e	2417 e	2014 e
1600S200-118	50	14781 e	11086 e	8869 e	7391 e	5153 e	3298 e	2290 e
1600S250-118	50	14781 e	11086 e	8869 e	7391 e	5543 e	3660 e	2541 e
1600S300-118	50	14781 e	11086 e	8869 e	7391 e	5543 e	3895 e	2705 e
1600S350-118	50	14781 e	11086 e	8869 e	7391 e	5543 e	4434 e	3115 e

See Header Load Table Notes on page 66.

Web Crippling Load Table Notes

1. All capacities listed are calculated using AISI S100-16/S2-20.
2. Web crippling capacities calculated are for studs with stiffened or partially stiffened flanges.
3. Tabulated web crippling capacities are for single members only. For multiple members, multiply the tabulated values by number of members in the assembly.
4. Listed allowable capacities are based on members 'fastened to supports', except back-to-back members under two-flange loading (condition 3 and 4) for which data for 'fastened to support' is unavailable in the AISI S100-16/S2-20.
5. Listed allowable capacities are for unpunched webs. Capacity reduction for end and interior one flange loading (conditions 1 and 2) near punchouts may be required per Section G6 of S100.

Web Crippling Conditions



- Condition 1: End One-Flange Reaction
- Condition 2: Interior One-Flange Reaction
- Condition 3: End Two-Flange Reaction
- Condition 4: Interior Two-Flange Reaction

Web Crippling Load Tables



Allowable Web Crippling Loads (lbs) - Single Members

Member	Design Thickness	Inside Radius	Yield Str	Condition 1				Condition 2				Condition 3				Condition 4			
				1	3.5	4	6	1	3.5	4	6	1	3.5	4	6	1	3.5	4	6
162S - 18	0.0188	0.0843	33	55	90	95	112	87	125	131	151	45	64	67	76	122	161	166	187
162S - 27	0.0283	0.0796	33	122	194	205	242	218	304	317	361	111	151	157	178	290	371	383	425
162S - 30	0.0312	0.0781	33	148	233	246	290	269	373	388	442	137	185	192	217	356	452	466	516
162S - 33	0.0346	0.0764	33	180	282	297	350	336	462	481	546	170	229	237	267	441	557	574	634
162S - 43	0.0451	0.0712	33	298	459	483	566	589	793	823	929	297	390	404	452	764	946	973	1067
162S - 54	0.0566	0.0849	33	447	678	712	832	904	1196	1239	1390	471	609	629	700	1203	1466	1506	1642
162S - 54	0.0566	0.0849	50	677	1027	1079	1260	1370	1812	1877	2105	714	922	953	1061	1823	2222	2281	2487
162S - 68	0.0713	0.1069	33	672	1004	1054	1225	1386	1802	1863	2077	750	952	982	1087	1901	2282	2339	2536
162S - 68	0.0713	0.1069	50	1019	1522	1596	1856	2100	2730	2823	3148	1136	1443	1488	1646	2880	3458	3544	3842
250S - 18	0.0188	0.0843	33	52	84	89	106	85	122	128	147	37	51	54	61	109	145	150	168
250S - 27	0.0283	0.0796	33	117	186	196	231	213	298	310	354	96	130	135	153	268	343	354	393
250S - 30	0.0312	0.0781	33	141	223	235	277	264	366	381	433	119	161	167	189	330	420	433	479
250S - 33	0.0346	0.0764	33	173	271	285	336	330	453	472	535	150	201	209	235	411	519	535	591
250S - 43	0.0451	0.0712	33	287	443	466	547	580	780	810	913	267	351	364	407	720	892	918	1006
250S - 54	0.0566	0.0849	33	433	657	690	806	891	1178	1221	1369	430	556	574	639	1142	1392	1429	1558
250S - 54	0.0566	0.0849	50	656	996	1046	1222	1350	1785	1850	2075	652	842	870	968	1730	2109	2165	2361
250S - 68	0.0713	0.1069	33	654	977	1024	1191	1368	1778	1839	2050	693	880	907	1004	1815	2179	2233	2421
250S - 68	0.0713	0.1069	50	990	1480	1552	1805	2073	2694	2786	3106	1049	1333	1375	1521	2750	3302	3384	3669
350S - 18	0.0188	0.0843	33	49	80	84	100	83	119	124	143	28	40	42	48	98	130	134	151
350S - 27	0.0283	0.0796	33	112	177	187	221	209	292	304	347	81	111	115	130	247	316	327	362
350S - 30	0.0312	0.0781	33	135	214	226	266	259	359	374	425	103	139	144	163	306	389	402	445
350S - 33	0.0346	0.0764	33	166	260	274	323	324	445	463	526	131	175	182	205	384	484	499	551
350S - 43	0.0451	0.0712	33	278	428	451	528	571	768	798	900	240	315	326	365	680	842	866	949
350S - 54	0.0566	0.0849	33	420	638	670	783	879	1162	1204	1351	392	507	524	583	1086	1324	1359	1482
350S - 54	0.0566	0.0849	50	637	967	1016	1186	1331	1761	1825	2046	594	768	794	883	1645	2005	2059	2245
350S - 68	0.0713	0.1069	33	637	951	998	1160	1351	1756	1816	2025	640	813	839	928	1737	2085	2137	2317
350S - 68	0.0713	0.1069	50	965	1441	1512	1758	2047	2661	2752	3068	970	1232	1271	1406	2631	3159	3238	3510
350S - 97	0.1017	0.1525	33	1209	1760	1841	2126	2629	3328	3431	3792	1343	1663	1710	1876	3562	4184	4276	4597
350S - 97	0.1017	0.1525	50	1831	2666	2790	3221	3983	5042	5199	5745	2035	2520	2592	2842	5397	6339	6479	6966
362S - 18	0.0188	0.0843	33	49	79	84	99	82	119	124	143	27	39	40	46	97	128	133	149
362S - 27	0.0283	0.0796	33	111	177	186	220	209	291	303	346	80	108	113	127	245	313	324	359
362S - 30	0.0312	0.0781	33	135	213	224	265	258	358	373	424	101	136	141	160	304	386	398	441
362S - 33	0.0346	0.0764	33	165	259	273	322	323	444	462	525	129	173	179	202	381	480	495	547
362S - 43	0.0451	0.0712	33	277	427	449	526	570	767	796	898	236	311	322	360	675	836	860	943
362S - 54	0.0566	0.0849	33	419	636	668	780	877	1160	1202	1348	388	501	518	577	1079	1316	1351	1473
362S - 54	0.0566	0.0849	50	634	963	1012	1182	1329	1758	1822	2043	588	760	785	874	1635	1994	2047	2232
362S - 68	0.0713	0.1069	33	635	948	995	1157	1349	1754	1813	2022	635	806	831	920	1728	2074	2126	2305
362S - 68	0.0713	0.1069	50	962	1437	1507	1753	2044	2657	2748	3064	961	1221	1259	1393	2618	3143	3221	3492
362S - 97	0.1017	0.1525	33	1206	1755	1837	2120	2626	3324	3427	3787	1333	1651	1698	1862	3547	4166	4258	4578
362S - 97	0.1017	0.1525	50	1827	2659	2783	3212	3979	5036	5192	5738	2020	2501	2573	2821	5374	6313	6452	6937
400S - 27	0.0283	0.0796	33	109	174	183	217	207	289	301	344	75	102	106	120	238	305	315	349
400S - 30	0.0312	0.0781	33	133	210	221	261	257	356	370	421	95	129	134	151	296	376	388	429
400S - 33	0.0346	0.0764	33	163	256	269	317	322	442	460	522	122	164	170	192	372	469	483	534
400S - 43	0.0451	0.0712	33	274	422	444	520	567	763	792	893	227	299	309	346	662	819	843	924
400S - 54	0.0566	0.0849	33	415	629	661	772	873	1155	1197	1342	376	485	502	558	1061	1293	1328	1448
400S - 54	0.0566	0.0849	50	628	954	1002	1170	1323	1750	1813	2034	569	735	760	846	1607	1960	2012	2194
400S - 68	0.0713	0.1069	33	629	940	986	1147	1344	1746	1806	2014	617	784	809	895	1702	2044	2094	2271
400S - 68	0.0713	0.1069	50	953	1424	1494	1737	2036	2646	2737	3051	936	1188	1226	1356	2579	3097	3173	3441
400S - 97	0.1017	0.1525	33	1197	1742	1823	2105	2617	3312	3415	3774	1305	1616	1662	1823	3504	4116	4207	4523
400S - 97	0.1017	0.1525	50	1814	2640	2762	3189	3965	5018	5175	5718	1978	2449	2518	2761	5309	6236	6374	6853
550S - 27	0.0283	0.0796	33	103	164	173	205	202	282	294	336	58	79	82	93	214	274	283	314
550S - 30	0.0312	0.0781	33	126	199	210	248	251	348	362	412	76	103	107	120	268	341	351	389
550S - 33	0.0346	0.0764	33	155	243	256	302	315	432	450	511	100	134	139	157	339	428	441	487
550S - 43	0.0451	0.0712	33	262	405	426	499	556	749	778	877	195	256	265	297	614	760	782	858
550S - 54	0.0566	0.0849	33	400	607	638	745	859	1136	1177	1320	331	428	443	493	995	1213	1246	1358
550S - 54	0.0566	0.0849	50	606	920	966	1128	1302	1722	1784	2001	502	649	671	746	1508	1838	1887	2058
550S - 68	0.0713	0.1069	33	609	911	955	1111	1324	1721	1780	1985	557	707	729	807	1611	1934	1982	2149
550S - 68	0.0713	0.1069	50	923	1380	1447	1683	2007	2608	2697	3007	844	1071	1105	1223	2441	2931	3003	3256
550S - 97	0.1017	0.1525	33	1166	1697	1776	2050	2585	3272	3374	3728	1205	1492	1535	1683	3352	3937	4024	4326
550S - 97	0.1017	0.1525	50	1766	2571	2691	3106	3917	4957	5112	5649	1826	2261	2326	2550	5079	5966	6097	6555

See Web Crippling Load Table Notes page 69.

Web Crippling Load Tables



Allowable Web Crippling Loads (lbs) - Single Members

Member	Design Thickness	Inside Radius	Yield Str	Condition 1				Condition 2				Condition 3				Condition 4			
				1	3.5	4	6	1	3.5	4	6	1	3.5	4	6	1	3.5	4	6
600S - 30	0.0312	0.0781	33	124	196	206	244	249	345	360	409	70	95	98	111	260	330	340	377
600S - 33	0.0346	0.0764	33	153	240	253	297	313	430	447	507	93	125	130	146	330	416	429	473
600S - 43	0.0451	0.0712	33	259	400	420	493	553	745	773	872	185	243	252	282	600	743	764	838
600S - 54	0.0566	0.0849	33	395	600	631	736	855	1131	1172	1314	318	411	425	473	975	1189	1221	1331
600S - 54	0.0566	0.0849	50	599	909	956	1116	1295	1713	1775	1991	482	623	644	716	1478	1802	1850	2017
600S - 68	0.0713	0.1069	33	604	902	946	1100	1319	1714	1772	1976	539	684	706	781	1584	1901	1949	2113
600S - 68	0.0713	0.1069	50	914	1366	1433	1666	1998	2596	2685	2994	816	1036	1069	1183	2399	2881	2952	3201
600S - 97	0.1017	0.1525	50	1752	2551	2669	3081	3902	4939	5093	5628	1781	2205	2268	2487	5010	5885	6014	6466
600S - 118	0.1242	0.1863	50	2528	3625	3788	4354	5698	7108	7318	8046	2734	3339	3429	3741	7555	8772	8952	9581
800S - 43	0.0451	0.0712	33	247	381	401	470	542	730	757	854	150	197	204	228	548	678	698	765
800S - 54	0.0566	0.0849	33	379	576	605	706	839	1110	1150	1290	270	349	361	402	904	1102	1131	1234
800S - 54	0.0566	0.0849	50	575	872	917	1070	1272	1682	1743	1955	409	529	547	608	1370	1670	1714	1869
800S - 68	0.0713	0.1069	33	582	870	912	1061	1297	1686	1744	1944	473	601	619	685	1485	1783	1827	1981
800S - 68	0.0713	0.1069	50	882	1318	1382	1607	1966	2555	2642	2946	716	910	939	1038	2250	2701	2768	3001
800S - 97	0.1017	0.1525	50	1702	2477	2592	2992	3850	4873	5025	5553	1618	2003	2060	2259	4761	5593	5716	6146
800S - 118	0.1242	0.1863	50	2462	3531	3689	4241	5629	7023	7229	7949	2518	3075	3158	3445	7223	8387	8559	9160
1000S - 54	0.0566	0.0849	33	365	554	582	680	826	1092	1132	1269	228	295	305	339	841	1026	1053	1148
1000S - 54	0.0566	0.0849	50	553	840	882	1031	1251	1655	1715	1923	346	447	462	514	1275	1554	1595	1740
1000S - 68	0.0713	0.1069	33	563	842	883	1027	1279	1662	1719	1917	415	527	544	602	1398	1679	1721	1866
1000S - 68	0.0713	0.1069	50	854	1275	1338	1556	1938	2518	2604	2904	629	799	824	912	2119	2544	2607	2827
1000S - 97	0.1017	0.1525	50	1657	2413	2525	2914	3805	4816	4966	5488	1476	1827	1879	2060	4545	5338	5456	5866
1000S - 118	0.1242	0.1863	50	2405	3449	3604	4143	5569	6948	7152	7864	2330	2845	2921	3187	6934	8051	8217	8794
1200S - 68	0.0713	0.1069	33	547	817	857	996	1262	1641	1697	1892	363	462	476	527	1320	1585	1625	1762
1200S - 68	0.0713	0.1069	50	828	1237	1298	1509	1913	2486	2571	2866	551	699	721	798	2001	2402	2462	2669
1200S - 97	0.1017	0.1525	50	1618	2355	2464	2844	3764	4764	4912	5429	1348	1668	1716	1882	4350	5109	5222	5614
1200S - 118	0.1242	0.1863	50	2354	3375	3527	4054	5515	6881	7083	7788	2161	2638	2709	2956	6675	7750	7910	8465
1400S - 68	0.0713	0.1069	33	531	793	832	968	1247	1621	1676	1869	316	401	414	458	1249	1500	1537	1666
1400S - 68	0.0713	0.1069	50	805	1202	1261	1466	1890	2456	2540	2832	479	608	627	694	1892	2272	2329	2525
1400S - 97	0.1017	0.1525	50	1581	2302	2408	2780	3727	4717	4864	5375	1230	1523	1567	1718	4171	4900	5008	5384
1400S - 118	0.1242	0.1863	50	2307	3308	3456	3973	5466	6819	7020	7719	2006	2449	2515	2744	6437	7474	7628	8164
1600S - 97	0.1017	0.1525	50	1547	2252	2357	2721	3692	4673	4818	5325	1121	1388	1428	1566	4005	4705	4809	5170
1600S - 118	0.1242	0.1863	50	2263	3245	3391	3898	5420	6762	6961	7654	1862	2274	2335	2548	6217	7219	7367	7884

¹ Bearing length to web height ratio, N/h, exceeds limit of 2.0

² Bearing length to thickness ratio, N/t, exceeds limit of 210

See Web Crippling Load Table Notes page 69.

Web Crippling Load Tables



Allowable Web Crippling Loads (lbs) - Back-to-Back Members

Member	Design Thickness	Inside Radius	Yield Str	Condition 1				Condition 2				Condition 3				Condition 4							
				1	3.5	4	6	1	3.5	4	6	1	3.5	4	6	1	3.5	4	6				
600S - 30	0.0312	0.0781	33	319	489	514	602	1	440	587	609	685	1	141	180	185	205	1	298	379	391	433	1
600S - 33	0.0346	0.0764	33	387	589	619	724	1	543	719	745	836	1	183	231	238	263	1	389	491	506	559	1
600S - 43	0.0451	0.0712	33	634	948	995	1157	1	928	1204	1245	1387	1	348	431	443	486	1	751	930	956	1048	1
600S - 54	0.0566	0.0849	33	944	1388	1454	1683	1	1420	1810	1868	2070	1	583	710	729	795	1	1260	1536	1577	1719	1
600S - 54	0.0566	0.0849	50	1430	2103	2203	2551	1	2151	2743	2831	3136	1	883	1076	1105	1205	1	1909	2327	2389	2605	1
600S - 68	0.0713	0.1069	33	1411	2040	2133	2458	1	2178	2731	2813	3099	1	968	1163	1192	1292	1	2095	2515	2577	2794	1
600S - 68	0.0713	0.1069	50	2138	3091	3233	3724	1	3299	4138	4262	4695	1	1467	1762	1806	1958	1	3173	3811	3905	4234	1
600S - 97	0.1017	0.1525	50	3994	5620	5861	6701	1	6404	7834	8046	8785	1	3150	3700	3781	4065	1	6812	8001	8178	8792	1
600S - 118	0.1242	0.1863	50	5696	7892	8218	9351	1	9325	11257	11543	12540	1	4808	5583	5698	6097	1	10398	12074	12322	13187	1
800S - 43	0.0451	0.0712	33	633	946	993	1154		926	1202	1242	1384		302	374	384	421		651	806	829	909	
800S - 54	0.0566	0.0849	33	942	1386	1452	1681		1417	1807	1865	2067		519	633	650	709		1123	1369	1405	1532	
800S - 54	0.0566	0.0849	50	1428	2100	2200	2546		2147	2738	2826	3131		787	959	985	1074		1701	2074	2129	2322	
800S - 68	0.0713	0.1069	33	1409	2037	2130	2455		2174	2727	2809	3094		881	1058	1084	1175		1905	2287	2344	2542	
800S - 68	0.0713	0.1069	50	2135	3087	3228	3719		3295	4132	4256	4688		1335	1602	1642	1780		2886	3466	3552	3851	
800S - 97	0.1017	0.1525	50	3989	5613	5854	6692		6396	7825	8036	8774		2929	3441	3517	3781		6335	7442	7606	8177	
800S - 118	0.1242	0.1863	50	5690	7883	8209	9341		9314	11244	11530	12526		4514	5241	5349	5724		9762	11335	11568	12380	
1000S - 54	0.0566	0.0849	33	941	1384	1450	1678		1415	1805	1863	2064		464	565	580	633		1003	1222	1255	1368	
1000S - 54	0.0566	0.0849	50	1426	2097	2196	2543		2144	2735	2822	3127		702	856	879	959		1519	1852	1901	2073	
1000S - 68	0.0713	0.1069	33	1407	2035	2128	2451		2172	2723	2805	3090		804	965	989	1073		1739	2088	2140	2320	
1000S - 68	0.0713	0.1069	50	2132	3083	3224	3714		3290	4126	4250	4682		1218	1463	1499	1625		2635	3164	3242	3515	
1000S - 97	0.1017	0.1525	50	3985	5607	5848	6685		6389	7816	8028	8764		2737	3215	3286	3533		5919	6953	7107	7640	
1000S - 118	0.1242	0.1863	50	5684	7875	8200	9332		9305	11233	11519	12514		4257	4943	5045	5399		9208	10691	10911	11677	
1200S - 68	0.0713	0.1069	33	1406	2032	2125	2449		2169	2720	2802	3086		735	883	904	981		1590	1909	1956	2121	
1200S - 68	0.0713	0.1069	50	2130	3079	3220	3710		3287	4122	4245	4676		1114	1337	1370	1486		2408	2892	2964	3213	
1200S - 97	0.1017	0.1525	50	3981	5601	5842	6678		6383	7808	8020	8756		2564	3012	3078	3309		5545	6514	6658	7158	
1200S - 118	0.1242	0.1863	50	5679	7868	8193	9323		9297	11223	11508	12503		4027	4676	4772	5107		8710	10113	10321	11046	
1400S - 68	0.0713	0.1069	33	1404	2030	2123	2446		2167	2717	2799	3083		672	806	826	896		1452	1744	1787	1938	
1400S - 68	0.0713	0.1069	50	2127	3076	3216	3706		3283	4117	4241	4671		1018	1222	1252	1358		2201	2642	2708	2936	
1400S - 97	0.1017	0.1525	50	3977	5596	5837	6672		6377	7801	8013	8748		2406	2826	2888	3105		5203	6111	6246	6715	
1400S - 118	0.1242	0.1863	50	5674	7862	8186	9316		9289	11214	11499	12492		3817	4432	4523	4840		8254	9584	9781	10468	
1600S - 97	0.1017	0.1525	50	3974	5592	5832	6667		6372	7795	8006	8741		2259	2653	2712	2915		4885	5738	5864	6305	
1600S - 118	0.1242	0.1863	50	5670	7856	8180	9309		9282	11205	11490	12483		3621	4205	4291	4592		7832	9093	9281	9932	

¹ Bearing length to web height ratio, N/h, exceeds limit of 1.0

² Bearing length to thickness ratio, N/t, exceeds limit of 210

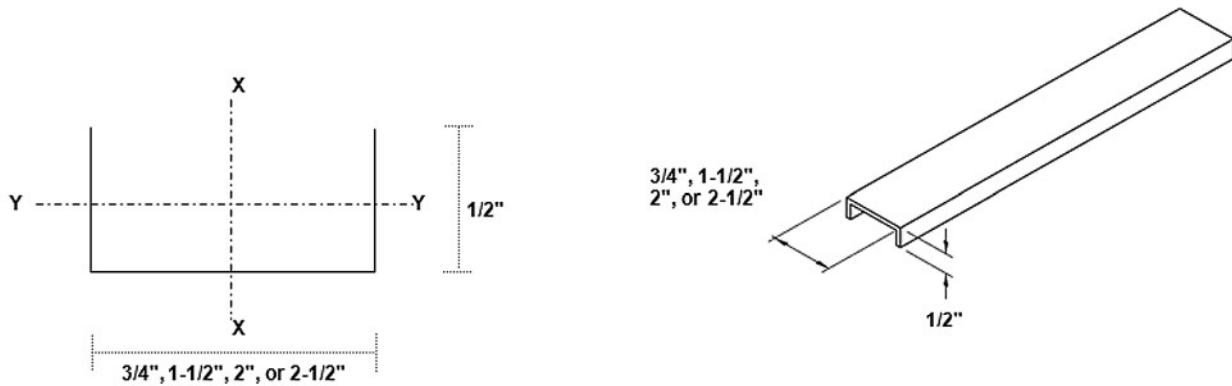
See Web Crippling Load Table Notes page 69.

Channel Properties

U-Channel Section Properties

Section	Design Thickness (in)	Yield strength, Fy (ksi)	Gross Properties						Effective Properties			
			Area	Weight	Ix	Rx	Iy	Ry	Ix	Sx	Ma	Va
			(in ²)	(lb/ft)	(in ⁴)	(in)	(in ⁴)	(in)	(in ⁴)	(in ³)	(in-k)	(lb)
075U050-54	0.0566	33	0.087	0.296	0.007	0.289	0.002	0.156	0.007	0.019	0.459	327
150U050-54	0.0566	33	0.130	0.441	0.039	0.549	0.003	0.146	0.039	0.052	1.230	852
200U050-54	0.0566	33	0.158	0.537	0.080	0.711	0.003	0.137	0.080	0.080	1.883	1203
250U050-54	0.0566	33	0.186	0.633	0.140	0.868	0.003	0.130	0.140	0.112	2.648	1553

1. Calculated properties are based on AISI S100-16/S2-20, "North American Specification for Design of Cold-Formed Steel Structural Members."
2. Minimum base metal thickness is 95% of design thickness.
3. Effective properties are based on Fy=33ksi.



U-Channel Allowable Ceiling Spans L/360

Member	Spans	4 psf					6 psf					13 psf					15 psf				
		Channel Spacing (in) o.c.					Channel Spacing (in) o.c.					Channel Spacing (in) o.c.					Channel Spacing (in) o.c.				
		24	36	48	60	72	24	36	48	60	72	24	36	48	60	72	24	36	48	60	72
075U050-54	Single	3' 5"	3' 0"	2' 9"	2' 6"	2' 4"	3' 0"	2' 7"	2' 4"	2' 2"	2' 1"	2' 4"	2' 0"	1' 10"	1' 8"	1' 7"	2' 2"	1' 11"	1' 9"	1' 7"	1' 6"
	Multiple	4' 2"	3' 8"	3' 4"	3' 1"	2' 11"	3' 8"	3' 2"	2' 11"	2' 8"	2' 7"	2' 10"	2' 6"	2' 3"	2' 1"	1' 11"	2' 8"	2' 4"	2' 2"	2' 0"	1' 9"
150U050-54	Single	5' 6"	4' 10"	4' 5"	4' 1"	3' 10"	4' 10"	4' 3"	3' 10"	3' 7"	3' 5"	3' 9"	3' 4"	3' 0"	2' 9"	2' 7"	3' 7"	3' 2"	2' 10"	2' 7"	2' 5"
	Multiple	7' 1"	6' 2"	5' 8"	5' 3"	4' 11"	6' 2"	5' 5"	4' 11"	4' 7"	4' 4"	4' 10"	4' 2"	3' 9"	3' 4"	3' 0"	4' 7"	4' 0"	3' 6"	3' 1"	2' 9"
200U050-54	Single	5' 10"	5' 1"	4' 8"	4' 4"	4' 1"	5' 1"	4' 6"	4' 1"	3' 10"	3' 7"	4' 0"	3' 6"	3' 2"	3' 0"	2' 10"	3' 10"	3' 4"	3' 1"	2' 10"	2' 8"
	Multiple	7' 5"	6' 6"	5' 11"	5' 6"	5' 2"	6' 6"	5' 8"	5' 2"	4' 10"	4' 7"	5' 1"	4' 5"	4' 0"	3' 9"	3' 6"	4' 10"	4' 3"	3' 10"	3' 7"	3' 2"
250U050-54	Single	6' 1"	5' 4"	4' 10"	4' 6"	4' 3"	5' 4"	4' 8"	4' 3"	4' 0"	3' 9"	4' 2"	3' 8"	3' 4"	3' 1"	2' 11"	4' 0"	3' 6"	3' 2"	3' 0"	2' 10"
	Multiple	7' 9"	6' 9"	6' 2"	5' 9"	5' 5"	6' 9"	5' 11"	5' 5"	5' 0"	4' 9"	5' 3"	4' 7"	4' 3"	3' 11"	3' 9"	5' 0"	4' 5"	4' 0"	3' 9"	3' 7"

U-Channel Allowable Ceiling Spans L/240

Member	Spans	4 psf					6 psf					13 psf					15 psf				
		Channel Spacing (in) o.c.					Channel Spacing (in) o.c.					Channel Spacing (in) o.c.					Channel Spacing (in) o.c.				
		24	36	48	60	72	24	36	48	60	72	24	36	48	60	72	24	36	48	60	72
075U050-54	Single	3' 11"	3' 5"	3' 1"	2' 11"	2' 9"	3' 5"	3' 0"	2' 9"	2' 6"	2' 4"	2' 8"	2' 4"	2' 1"	1' 11"	1' 9"	2' 6"	2' 2"	2' 0"	1' 10"	1' 8"
	Multiple	4' 10"	4' 2"	3' 10"	3' 7"	3' 4"	4' 2"	3' 8"	3' 4"	3' 1"	2' 10"	3' 3"	2' 9"	2' 4"	2' 1"	1' 11"	3' 1"	2' 7"	2' 2"	2' 0"	1' 9"
150U050-54	Single	5' 6"	4' 10"	4' 5"	4' 1"	3' 10"	4' 10"	4' 3"	3' 10"	3' 7"	3' 5"	3' 9"	3' 4"	3' 0"	2' 9"	2' 7"	3' 7"	3' 2"	2' 10"	2' 7"	2' 5"
	Multiple	7' 1"	6' 2"	5' 8"	5' 3"	4' 11"	6' 2"	5' 5"	4' 11"	4' 7"	4' 4"	4' 10"	4' 2"	3' 9"	3' 4"	3' 0"	4' 7"	4' 0"	3' 6"	3' 1"	2' 9"
200U050-54	Single	5' 10"	5' 1"	4' 8"	4' 4"	4' 1"	5' 1"	4' 6"	4' 1"	3' 10"	3' 7"	4' 0"	3' 6"	3' 2"	3' 0"	2' 10"	3' 10"	3' 4"	3' 1"	2' 10"	2' 8"
	Multiple	7' 5"	6' 6"	5' 11"	5' 6"	5' 2"	6' 6"	5' 8"	5' 2"	4' 10"	4' 7"	5' 1"	4' 5"	4' 0"	3' 9"	3' 6"	4' 10"	4' 3"	3' 10"	3' 7"	3' 2"
250U050-54	Single	6' 1"	5' 4"	4' 10"	4' 6"	4' 3"	5' 4"	4' 8"	4' 3"	4' 0"	3' 9"	4' 2"	3' 8"	3' 4"	3' 1"	2' 11"	4' 0"	3' 6"	3' 2"	3' 0"	2' 10"
	Multiple	7' 9"	6' 9"	6' 2"	5' 9"	5' 5"	6' 9"	5' 11"	5' 5"	5' 0"	4' 9"	5' 3"	4' 7"	4' 3"	3' 11"	3' 9"	5' 0"	4' 5"	4' 0"	3' 9"	3' 7"

U-Channel Allowable Ceiling Spans L/120

Member	Spans	4 psf					6 psf					13 psf					15 psf				
		Channel Spacing (in) o.c.					Channel Spacing (in) o.c.					Channel Spacing (in) o.c.					Channel Spacing (in) o.c.				
		24	36	48	60	72	24	36	48	60	72	24	36	48	60	72	24	36	48	60	72
075U050-54	Single	4' 10"	4' 1"	3' 7"	3' 3"	3' 0"	4' 1"	3' 5"	3' 0"	2' 9"	2' 6"	2' 11"	2' 5"	2' 2"	1' 11"	1' 9"	2' 9"	2' 4"	2' 0"	1' 10"	1' 8"
	Multiple	5' 5"	4' 6"	4' 2"	3' 10"	3' 5"	4' 6"	3' 11"	3' 5"	3' 2"	2' 11"	3' 5"	2' 9"	2' 4"	2' 1"	1' 11"	3' 1"	2' 7"	2' 2"	2' 0"	1' 9"
150U050-54	Single	5' 6"	4' 10"	4' 5"	4' 1"	3' 10"	4' 10"	4' 3"	3' 10"	3' 7"	3' 5"	3' 9"	3' 4"	3' 0"	2' 9"	2' 7"	3' 7"	3' 2"	2' 10"	2' 7"	2' 5"
	Multiple	7' 1"	6' 2"	5' 8"	5' 3"	4' 11"	6' 2"	5' 5"	4' 11"	4' 7"	4' 4"	4' 10"	4' 2"	3' 9"	3' 4"	3' 0"	4' 7"	4' 0"	3' 6"	3' 1"	2' 9"
200U050-54	Single	5' 10"	5' 1"	4' 8"	4' 4"	4' 1"	5' 1"	4' 6"	4' 1"	3' 10"	3' 7"	4' 0"	3' 6"	3' 2"	3' 0"	2' 10"	3' 10"	3' 4"	3' 1"	2' 10"	2' 8"
	Multiple	7' 5"	6' 6"	5' 11"	5' 6"	5' 2"	6' 6"	5' 8"	5' 2"	4' 10"	4' 7"	5' 1"	4' 5"	4' 0"	3' 9"	3' 6"	4' 10"	4' 3"	3' 10"	3' 7"	3' 2"
250U050-54	Single	6' 1"	5' 4"	4' 10"	4' 6"	4' 3"	5' 4"	4' 8"	4' 3"	4' 0"	3' 9"	4' 2"	3' 8"	3' 4"	3' 1"	2' 11"	4' 0"	3' 6"	3' 2"	3' 0"	2' 10"
	Multiple	7' 9"	6' 9"	6' 2"	5' 9"	5' 5"	6' 9"	5' 11"	5' 5"	5' 0"	4' 9"	5' 3"	4' 7"	4' 3"	3' 11"	3' 9"	5' 0"	4' 5"	4' 0"	3' 9"	3' 7"

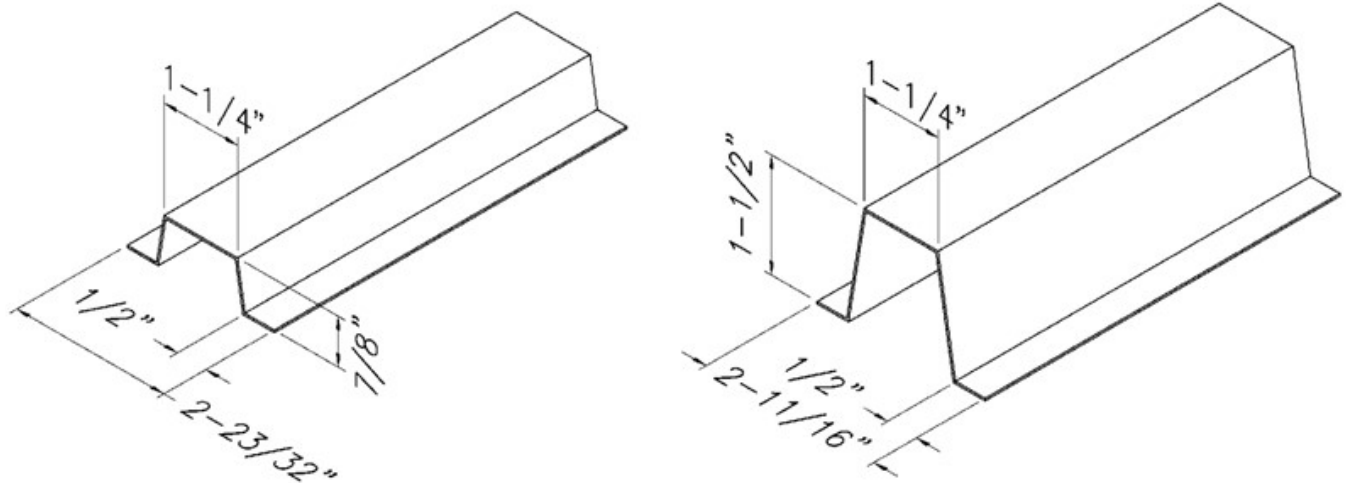
1. Allowable ceiling spans are based on effective properties.
2. Multiple span indicates two or more equal spans with channel continuous over center support.
3. Bearing length = 0.75-inches.
4. Table values are based on the compression flange laterally unsupported.

Channel Properties

(Hat) Furring (F) Channel Section Properties

Section	Design Thickness (in)	Yield strength, Fy (ksi)	Gross Properties						Effective Properties			
			Area	Weight	Ix	Rx	Iy	Ry	Ix	Sx	Ma	Va
			(in ²)	(lb/ft)	(in ⁴)	(in)	(in ⁴)	(in)	(in ⁴)	(in ²)	(ft-lb)	(lb)
087F125-18	0.0188	33	0.072	0.244	0.009	0.354	0.035	0.698	0.008	0.016	26.61	255
087F125-27	0.0283	33	0.107	0.365	0.013	0.351	0.051	0.693	0.013	0.027	45.20	381
087F125-30	0.0312	33	0.118	0.401	0.014	0.350	0.056	0.691	0.014	0.031	50.98	420
087F125-33	0.0346	33	0.130	0.443	0.016	0.349	0.062	0.689	0.016	0.034	56.23	464
087F125-43	0.0451	33	0.168	0.572	0.020	0.345	0.079	0.684	0.020	0.043	71.00	599
150F125-18	0.0188	33	0.095	0.324	0.031	0.572	0.052	0.742	0.029	0.034	56.73	261
150F125-27	0.0283	33	0.143	0.485	0.046	0.569	0.077	0.737	0.046	0.057	94.22	390
150F125-30	0.0312	33	0.157	0.534	0.051	0.568	0.085	0.735	0.050	0.064	105.92	429
150F125-33	0.0346	33	0.174	0.590	0.056	0.566	0.093	0.733	0.056	0.071	117.31	474
150F125-43	0.0451	33	0.225	0.764	0.071	0.563	0.119	0.728	0.071	0.091	149.70	613

1. Calculated properties are based on AISI S100-16/S2-20 "North American Specification for Design of Cold-Formed Steel Structural Members."
2. Minimum base metal thickness is 95% of design thickness. Design thickness used for determination of properties.
3. Effective properties are based on Fy=33ksi. For deflection calculations, use effective Ix. Effective Ix is based on Procedure 1 of S-100/S2-20.
4. Effective properties are given as the minimum value for positive or negative bending.



(Hat) Furring (F) Channel Allowable Ceiling Spans L/360

Member	Yield Strength, Fy (ksi)	Spans	4 psf			6 psf			13 psf		
			Spacing (in) o.c.			Spacing (in) o.c.			Spacing (in) o.c.		
			12	16	24	12	16	24	12	16	24
087F125-18	33	Single	4' 5"	4' 0"	3' 6"	3' 10"	3' 6"	3' 1"	3' 0"	2' 9"	2' 5"
		Multiple	5' 6"	5' 0"	4' 4"	4' 9"	4' 4"	3' 10"	3' 8"	3' 4"	2' 10"
087F125-27	33	Single	5' 3"	4' 9"	4' 2"	4' 7"	4' 2"	3' 8"	3' 6"	3' 3"	2' 10"
		Multiple	6' 6"	5' 11"	5' 2"	5' 8"	5' 2"	4' 6"	4' 4"	4' 0"	3' 6"
087F125-30	33	Single	5' 5"	4' 11"	4' 3"	4' 9"	4' 3"	3' 9"	3' 8"	3' 4"	2' 11"
		Multiple	6' 8"	6' 1"	5' 3"	5' 10"	5' 3"	4' 7"	4' 6"	4' 1"	3' 7"
087F125-33	33	Single	5' 7"	5' 1"	4' 5"	4' 10"	4' 5"	3' 10"	3' 9"	3' 5"	3' 0"
		Multiple	6' 11"	6' 3"	5' 6"	6' 0"	5' 6"	4' 9"	4' 8"	4' 3"	3' 8"
087F125-43	33	Single	6' 0"	5' 6"	4' 9"	5' 3"	4' 9"	4' 2"	4' 1"	3' 8"	3' 3"
		Multiple	7' 5"	6' 9"	5' 11"	6' 6"	5' 11"	5' 2"	5' 0"	4' 7"	4' 0"
150F125-18	33	Single	6' 10"	6' 2"	5' 5"	5' 11"	5' 5"	4' 9"	4' 7"	4' 2"	3' 8"
		Multiple	8' 5"	7' 8"	6' 8"	7' 4"	6' 8"	5' 10"	5' 8"	4' 9"	3' 8"
150F125-27	33	Single	7' 11"	7' 3"	6' 4"	6' 11"	6' 4"	5' 6"	5' 4"	4' 11"	4' 3"
		Multiple	9' 10"	8' 11"	7' 10"	8' 7"	7' 10"	6' 10"	6' 8"	6' 0"	5' 3"
150F125-30	33	Single	8' 2"	7' 5"	6' 6"	7' 2"	6' 6"	5' 8"	5' 6"	5' 0"	4' 5"
		Multiple	10' 1"	9' 2"	8' 0"	8' 10"	8' 0"	7' 0"	6' 10"	6' 3"	5' 5"
150F125-33	33	Single	8' 6"	7' 8"	6' 9"	7' 5"	6' 9"	5' 10"	5' 9"	5' 2"	4' 6"
		Multiple	10' 6"	9' 6"	8' 4"	9' 2"	8' 4"	7' 3"	7' 1"	6' 5"	5' 7"
150F125-43	33	Single	9' 2"	8' 4"	7' 4"	8' 0"	7' 4"	6' 4"	6' 2"	5' 8"	4' 11"
		Multiple	11' 4"	10' 4"	9' 0"	9' 11"	9' 0"	7' 11"	7' 8"	7' 0"	6' 1"

1. Allowable ceiling spans are based on effective properties.
2. Multiple span indicates two or more equal spans with channel continuous over center support.
3. Bearing length = 0.75-inches.

Channel Properties



(Hat) Furring (F) Channel Allowable Ceiling Spans L/240

Member	Yield Strength, Fy (ksi)	Spans	4 psf			6 psf			13 psf		
			Spacing (in) o.c.			Spacing (in) o.c.			Spacing (in) o.c.		
			12	16	24	12	16	24	12	16	24
087F125-18	33	Single	5' 1"	4' 7"	4' 0"	4' 5"	4' 0"	3' 6"	3' 5"	3' 1"	2' 9"
		Multiple	6' 3"	5' 8"	5' 0"	5' 6"	5' 0"	4' 3"	4' 1"	3' 6"	2' 10"
087F125-27	33	Single	6' 0"	5' 5"	4' 9"	5' 3"	4' 9"	4' 2"	4' 1"	3' 8"	3' 3"
		Multiple	7' 5"	6' 9"	5' 11"	6' 6"	5' 11"	5' 2"	5' 0"	4' 7"	3' 9"
087F125-30	33	Single	6' 2"	5' 7"	4' 11"	5' 5"	4' 11"	4' 3"	4' 2"	3' 9"	3' 4"
		Multiple	7' 8"	6' 11"	6' 1"	6' 8"	6' 1"	5' 3"	5' 2"	4' 8"	4' 0"
087F125-33	33	Single	6' 5"	5' 10"	5' 1"	5' 7"	5' 1"	4' 5"	4' 4"	3' 11"	3' 5"
		Multiple	7' 11"	7' 2"	6' 3"	6' 11"	6' 3"	5' 6"	5' 4"	4' 10"	4' 2"
087F125-43	33	Single	6' 11"	6' 3"	5' 6"	6' 0"	5' 6"	4' 9"	4' 8"	4' 3"	3' 8"
		Multiple	8' 6"	7' 9"	6' 9"	7' 5"	6' 9"	5' 11"	5' 9"	5' 3"	4' 7"
150F125-18	33	Single	7' 10"	7' 1"	6' 2"	6' 10"	6' 2"	5' 5"	5' 3"	4' 9"	4' 2"
		Multiple	9' 8"	8' 9"	7' 6"	8' 5"	7' 6"	6' 2"	5' 10"	4' 9"	3' 8"
150F125-27	33	Single	9' 1"	8' 3"	7' 3"	7' 11"	7' 3"	6' 4"	6' 2"	5' 7"	4' 11"
		Multiple	11' 3"	10' 3"	8' 11"	9' 10"	8' 11"	7' 10"	7' 7"	6' 7"	5' 5"
150F125-30	33	Single	9' 5"	8' 6"	7' 5"	8' 2"	7' 5"	6' 6"	6' 4"	5' 9"	5' 0"
		Multiple	11' 7"	10' 6"	9' 2"	10' 1"	9' 2"	8' 0"	7' 10"	7' 0"	5' 9"
150F125-33	33	Single	9' 8"	8' 10"	7' 8"	8' 6"	7' 8"	6' 9"	6' 7"	5' 11"	5' 2"
		Multiple	12' 0"	10' 11"	9' 6"	10' 6"	9' 6"	8' 4"	8' 1"	7' 4"	6' 0"
150F125-43	33	Single	10' 6"	9' 7"	8' 4"	9' 2"	8' 4"	7' 4"	7' 1"	6' 5"	5' 8"
		Multiple	13' 0"	11' 10"	10' 4"	11' 4"	10' 4"	9' 0"	8' 9"	8' 0"	6' 9"

(Hat) Furring (F) Channel Allowable Ceiling Spans L/120

Member	Yield Strength, Fy (ksi)	Spans	4 psf			6 psf			13 psf		
			Spacing (in) o.c.			Spacing (in) o.c.			Spacing (in) o.c.		
			12	16	24	12	16	24	12	16	24
087F125-18	33	Single	6' 5"	5' 10"	5' 1"	5' 7"	5' 1"	4' 5"	4' 4"	3' 11"	3' 5"
		Multiple	7' 4"	6' 4"	5' 1"	5' 11"	5' 2"	4' 2"	4' 1"	3' 6"	2' 10"
087F125-27	33	Single	7' 7"	6' 10"	6' 0"	6' 7"	6' 0"	5' 3"	5' 1"	4' 8"	4' 1"
		Multiple	9' 4"	8' 3"	6' 8"	7' 9"	6' 9"	5' 5"	5' 3"	4' 7"	3' 8"
087F125-30	33	Single	7' 9"	7' 1"	6' 2"	6' 10"	6' 2"	5' 5"	5' 3"	4' 9"	4' 2"
		Multiple	9' 7"	8' 9"	7' 1"	8' 3"	7' 2"	5' 9"	5' 7"	4' 10"	3' 11"
087F125-33	33	Single	8' 0"	7' 4"	6' 5"	7' 0"	6' 5"	5' 7"	5' 5"	4' 11"	4' 4"
		Multiple	9' 11"	9' 0"	7' 5"	8' 8"	7' 6"	6' 1"	5' 11"	5' 1"	4' 1"
087F125-43	33	Single	8' 8"	7' 11"	6' 11"	7' 7"	6' 11"	6' 0"	5' 10"	5' 4"	4' 8"
		Multiple	10' 9"	9' 9"	8' 5"	9' 5"	8' 5"	6' 10"	6' 7"	5' 9"	4' 8"
150F125-18	33	Single	9' 10"	8' 11"	7' 10"	8' 7"	7' 10"	6' 10"	6' 8"	6' 0"	5' 3"
		Multiple	10' 8"	9' 3"	7' 6"	8' 8"	7' 6"	6' 1"	5' 10"	4' 5"	2' 11"
150F125-27	33	Single	11' 6"	10' 5"	9' 1"	10' 0"	9' 1"	7' 11"	7' 9"	7' 0"	6' 2"
		Multiple	13' 9"	11' 11"	9' 8"	11' 2"	9' 8"	7' 11"	7' 7"	6' 7"	5' 4"
150F125-30	33	Single	11' 10"	10' 9"	9' 5"	10' 4"	9' 5"	8' 2"	8' 0"	7' 3"	6' 4"
		Multiple	14' 7"	12' 7"	10' 3"	11' 11"	10' 3"	8' 4"	8' 1"	7' 0"	5' 8"
150F125-33	33	Single	12' 3"	11' 1"	9' 8"	10' 8"	9' 8"	8' 6"	8' 3"	7' 6"	6' 7"
		Multiple	15' 1"	13' 3"	10' 9"	12' 6"	10' 10"	8' 10"	8' 6"	7' 4"	6' 0"
150F125-43	33	Single	13' 3"	12' 1"	10' 6"	11' 7"	10' 6"	9' 2"	8' 11"	8' 2"	7' 1"
		Multiple	16' 5"	14' 11"	12' 2"	14' 2"	12' 3"	9' 11"	9' 7"	8' 4"	6' 9"

1. Single spans taken as the minimum span based on moment, shear, web crippling or deflection.
2. Multiple span indicates two or more equal, continuous spans with span length measured support to support.
3. Multiple spans taken as minimum span based on moment, shear, web crippling, deflection combined bending and shear or combined bending and web crippling.
4. Web crippling values based on 1-inch bearing at end and interior supports.

Screw Table Notes

1. Allowable screw connection capacities are based on Section J4 of the AISI S100-16/S2-20.
2. When connecting materials of different steel thicknesses or tensile strengths, use the lowest values. Tabulated values assume two sheets of equal thickness are connected.
3. Screw shear and tension capacities were developed using published screw manufacturer data and evaluation reports available at the time of publications.
4. A nominal shear stress of 42.85ksi and a nominal tension stress of 40.84ksi was used for calculations based on screw manufacturer data.
5. Screw capacities are based on Allowable Strength Design (ASD) and include a safety factor of 3.0.
6. When multiple fasteners are used, screws are assumed to have a center-to-center spacing of at least 3 times the nominal diameter (d).
7. Screws are assumed to have a center-of-screw to edge-of-steel dimension of at least 1.5 times the nominal diameter (d) of the screw.
8. Tension capacity is based on the lesser of pullout capacity in sheet closest to screw tip, or pullover capacity for sheet closest to screw head (using head diameter).
9. Note that for all tension values calculated in screw table, pullover values have been reduced by 50% assuming eccentrically loaded connections that produce a non-uniform pullover force of the fastener.
10. Screw capacities are governed by a conservative estimate of screw capacity, not by sheet steel failure.
11. For higher screw capacities, especially for screw strength, use specific screws from specific manufacturer. See manufacturer's data for specific allowable values and installation instructions.

Allowable Screw Connection Capacity (Pounds per Screw)

Thickness (Mils)	Yield Strength, Fy (ksi)	Tensile Strength, Fu (ksi)	# 6 Screw		# 8 Screw		# 10 Screw		# 12 Screw		1/4" Screw	
			(0.138" Dia, 1/4" Head)		(0.164" Dia, 5/16" Head)		(0.190" Dia, 3/8" Head)		(0.216" Dia, 3/8" Head)		(0.250" Dia, 1/2" Head)	
			Shear	Tension	Shear	Tension	Shear	Tension	Shear	Tension	Shear	Tension
18	33	33	44	24	48	29	52	33	55	38	60	44
27	33	33	82	37	89	43	96	50	102	57	110	66
30	33	33	95	40	103	48	111	55	118	63	127	73
33	33	45	151	61	164	72	177	84	188	95	203	110
43	33	45	214	79	244	94	263	109	280	124	302	144
54	33	45	214	100	303	118	370	137	394	156	424	180
54	50	65	214	123	303	171	406	198	525	225	613	261
68	33	45	214	123	303	149	406	173	525	196	600	227
68	50	65	214	123	303	173	406	232	525	284	704	328
97	33	45	214	123	303	173	406	232	525	280	704	324
97	50	65	214	123	303	173	406	232	525	300	704	403
118	33	45	214	123	303	173	406	232	525	300	704	396
118	50	65	214	123	303	173	406	232	525	300	704	403

Weld Table Notes

1. Allowable weld capacities are based on Section J2.5 (for fillet welds) and J2.6 (for flare groove welds) of the AISI S100-16/S2-20
2. When connecting materials of different steel thicknesses or tensile strengths, use the lowest values.
3. Weld capacities are based on Allowable Strength Design (ASD) and include appropriate safety factors.
4. Weld capacities are based on either 3/32" or 1/8" diameter E60 or E70 Electrodes. For thinner materials, 0.030" to 0.035" diameter wire electrodes may provide best results.
5. Parallel capacity is considered to be loading in the direction of the weld.
6. For flare groove welds, the effective throat of weld is conservatively assumed to be less than 2t.

Allowable Weld Capacity (Pounds) for 1-inch of Weld

Thickness (Mils)	Design Thickness	Fy: Yield (ksi)	Fu: Tensile (ksi)	Fillet Welds		Flare Groove Welds	
				Parallel	Perpendicular	Parallel	Perpendicular
				43	0.0451	33	45
54	0.0566	33	45	822	1084	682	832
54	0.0566	50	65	1188	1566	985	1202
68	0.0713	33	45	1082	1365	859	1048
68	0.0713	50	65	1563	1972	1241	1514
97	0.1017	33	45	1618	1947	1226	1495
97	0.1017	50	65	2337	2813	1771	2159
118	0.1242	33	45	Note-1	Note-1	Note-2	Note-2
118	0.1242	50	65	Note-1	Note-1	Note-2	Note-2

Note-1: For fillet welds, AISI S100 Equation E2.5-4 must be checked for 118 mil material, or whenever the thickness of thinnest part is greater than 0.10-inch.

Note-2: For flare groove welds, AISI S100 Equation E2.6-4 must be checked for 118 mil material, or whenever the thickness of thinnest part is greater than 0.10-inch.

BLOCKING NOTE:
 PLACE SOLID BLOCKING AT ENDS OF FLOOR SYSTEM, ADJACENT TO ALL OPENINGS, AND AT 10'-0" o.c. MAX.

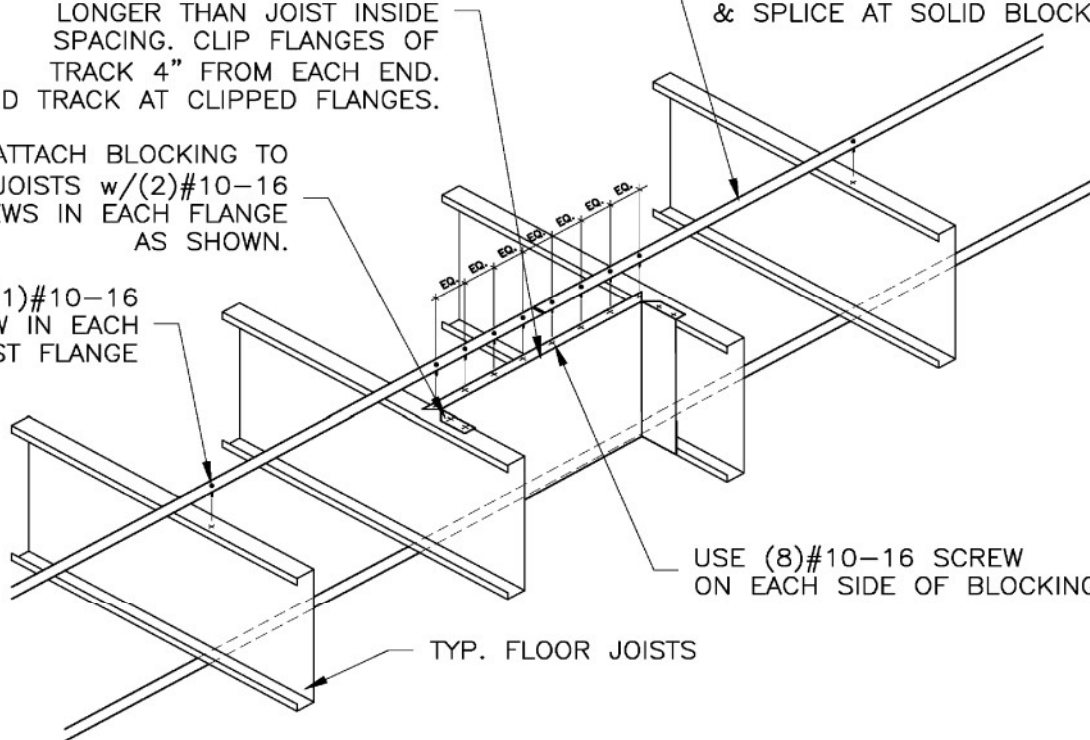
STRAP NOTE:
 TOP STRAP NOT REQ'D. IF CONTINUOUSLY ATTACHED RIGID SHEATHING IS USED. TEMPORARY BRACING OF TOP FLANGE DURING CONSTRUCTION MAY BE REQ'D.

MIN. 18 GA RUNNER TRACK
 SOLID BLOCKING @ 10'-0" o.c.
 MAX. MAKE RUNNER TRACK 8" LONGER THAN JOIST INSIDE SPACING. CLIP FLANGES OF TRACK 4" FROM EACH END. BEND TRACK AT CLIPPED FLANGES.

1-1/2" x 20 GA. STRAPPING ON TOP & BOTTOM OF JOISTS. (STRAPPING TO START, END, & SPLICE AT SOLID BLOCKING)

ATTACH BLOCKING TO JOISTS w/(2)#10-16 SCREWS IN EACH FLANGE AS SHOWN.

(1)#10-16 SCREW IN EACH JOIST FLANGE



USE (8)#10-16 SCREW ON EACH SIDE OF BLOCKING.

TYP. FLOOR JOISTS

BRIDGING RECOMMENDATIONS	
SPANS	ROWS REQUIRED
UP TO 14'	ONE ROW @ MID-SPAN
14' TO 20'	TWO ROWS @ THIRD POINTS
20' TO 26'	THREE ROWS @ QUARTER POINTS

JOIST BRIDGING

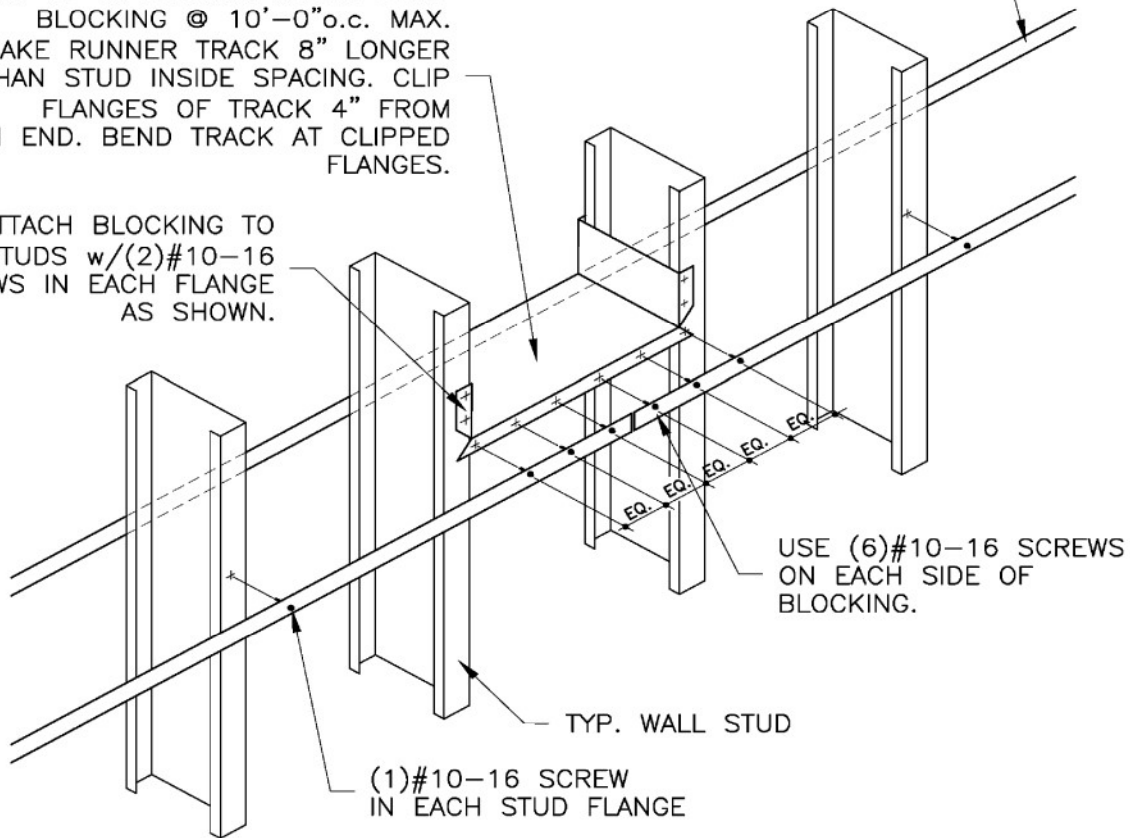
1-1/2" x 20GA. STRAP WITH RUNNER TRACK BLOCKING

BLOCKING NOTE
PLACE SOLID BLOCKING AT ENDS OF WALL SYSTEM, ADJACENT TO ALL OPENINGS, AND AT 10'-0" O.C. MAX

1-1/2" x 20 GA. STRAPPING ON EACH SIDE OF WALL STUDS. (STRAPPING TO START, END, & SPLICE AT SOLID BLOCKING)

MIN. 18 GA RUNNER TRACK SOLID BLOCKING @ 10'-0" o.c. MAX. MAKE RUNNER TRACK 8" LONGER THAN STUD INSIDE SPACING. CLIP FLANGES OF TRACK 4" FROM EACH END. BEND TRACK AT CLIPPED FLANGES.

ATTACH BLOCKING TO WALL STUDS w/(2)#10-16 SCREWS IN EACH FLANGE AS SHOWN.



STRAPPING LATERAL BRACING

1-1/2" x 20GA. STRAP WITH RUNNER TRACK BLOCKING

As the use of cold-formed steel has grown over the past 60 years, so has the number of resources available to engineers, architects, contractors, and suppliers. The **Resource Center** of the Steel Framing Industry Association web site (www.CFSteel.org/resources) is intended to help the design and construction professional cut through the clutter to find needed resource and contains a number of downloadable publications and links to other technical resources.

Technical Guide for Cold-Formed Steel Framing.

A downloadable version of this publication is available here. The current edition of the SFIA Product Technical Guide does not include tables for Ceiling Span conditions that may only be occasionally needed by the designer. These are available in a separate document which can also be downloaded in this section of the Resource Center.

Code Compliance Research Report, CCRR-0224.

The SFIA Code Compliance Research Report (CCRR), issued by Architectural Testing Inc., provides the evidence, technical information, and professional evaluation that standard cold-formed steel framing stud and track manufactured by SFIA members comply with the 2021 International Building Code, 2021 International Residential Code, 2020 Florida Building Code including High Velocity Hurricane Zone (HVHZ), and the 2022 California Building Code.

ICC-Evaluation Service Report, ICC-ES 4205.

Evaluation reports from ICC Evaluation Service® may be used by code officials to verify that building products manufactured by SFIA members comply with code requirements. The evaluation reports provide information about what code requirements or acceptance criteria were used to evaluate the product, how the product should be installed to meet the requirements, how to identify the product, and much more. ES Reports are divided into eleven major areas.

Guide Specifications

Section 05400 - Cold-Formed Metal Framing

For use in the preparation of a project specification section covering cold-formed steel exterior wall studs, floor joists, trusses, ceiling and roof joists, and rafters. Materials may be field installed or shop fabricated and field erected. Studs may be either axially-load bearing or non-axially load bearing.

Section 092216 - Nonstructural Metal Framing

For use in the preparation of a project specification section covering metal framing systems for interior non-load bearing walls, interior ceilings and exterior soffits.

LEED and Sustainability

LEED®ing with Cold-Formed Steel: Cold-formed steel products manufactured by Steel Framing Industry Association members help your project quality for up to 7 points under LEED® v4 for BD+C

Environmental Product Declaration (EPD) for Cold-Formed Steel Framing

EPDs are developed from a Life Cycle Assessment and can help designers earn credits under LEED v4. This EPD represents cold-formed steel (CFS) studs and track made from hot-dip galvanized steel, produced and manufactured in U.S. and Canada. The steel in the studs and track is produced at a mix of steel mill types in the U.S. and Canada, which use both the BOF (basic oxygen furnace) and EAF (electric arc furnace) route for steelmaking

Apparent Sound Insulation in Cold-Formed Steel Buildings

This report provides the Design Professional with information that maybe needed for enhanced sound control in buildings using ASTC rather than STC.

Typical Construction Details

They are intended to provide designers and contractors with guidance on design, detailing, and construction of buildings that utilize cold-formed steel framing members. These products should not be used in design or construction without an independent evaluation by a qualified engineer or architect to verify the suitability of a particular product for use in a specific application.

Directory of Fire and Acoustic Rated Assemblies.

This searchable directory provides the user with the ability to search a comprehensive range of fire and sound-rated cold-formed steel floor, wall and roof assemblies as listed by the major recognized testing agencies.

Wall System Design Center.

An online resource that provides architects, owners, developers, and contractors with needed information about integrated wall and ceiling solutions, including how to assess the performance attributes of the various system components, and to help determine how these various components can impact the overall performance of the system.

February 2023

Question: Can standard products manufactured by SFIA members be used in the Fire Rated assemblies published by the recognized testing agencies?

Answer: Except where the word “proprietary” appears in system or element descriptions, all systems contained within the major fire rated directories (published by the Gypsum Association, UL, Factory Mutual, etc.) are considered generic assemblies utilizing any product of any manufacturer provided that the products meet the appropriate standards.

The steel framing members included in the SFIA Product Technical Guide are considered “generic”, and have been reviewed for compliance with the governing standards, including AISI 2012, the International Building Code (2021), California Building Code (2022) and Florida Building Code (2020), including (HPVZ), and therefore may be used in any rated assemblies published by the GA, UL, FM, or other recognized testing agency. In addition, steel framing members produced by SFIA member companies participate in a code compliance certification program administered by an independent third-party.

SFIA generic framing members that meet the minimum requirements for web depth, thickness, and other characteristics and therefore may be used in the generic published rated assemblies.

Underwriters Laboratories Rated Designs

The individual listings of UL rated designs identify the main elements of an assembly as numbers in a series (for U465: 1. Floor and Ceiling Runners, 2. Steel Studs, 3. Batts and Blankets, 4 Gypsum Board, 5. Joint Tape and Compound, 6. Resilient Channel, 8. Mineral and Fiber Board (optional), etc.). Unless a proprietary product is identified as being the component in the description, that element is generic and any standard product that meets this description is permitted for use in this design.

Alternative products may also be used in place of the standard or generic, and the permitted products identified in three ways, as a second level in the numerical series (i.e., 1A., 1B., 1C., etc.), with an asterisk (*), and with the wording “as an alternate to....” or “in lieu of...”. The products that have been approved for use in lieu of the standard products are then listed in the UL Design.

Submitted by:



Patrick Ford, P.E.
Technical Director



STEEL FRAMING INDUSTRY ASSOCIATION

CODE COMPLIANCE CERTIFICATION PROGRAM

SFIA developed, an industry supported Code Compliance Certification Program endorsed by the Association of the Wall and Ceiling Industry. The program is accessible to all manufacturers to certify that structural and nonstructural cold-formed steel framing they produce complies with the IBC 2021 code requirements.

Structural and nonstructural cold-formed steel framing certification is administered and audited by an independent third Administrator meeting IAS AC98 requirements and demonstrating compliance with ISO/IEC Standard 17020.

The validation process includes a minimum of two unannounced manufacturing audits per year of each facility operated by a manufacturer, as well as on-going random selection and independent testing of certified structural and nonstructural cold-formed steel framing products.



Manufacturing facilities that satisfy the requirements for certification are authorized to label structural and nonstructural cold-formed steel framing members they produce as "certified code compliant." The list of manufacturing facilities with certification authorization stays current by being updated as changes occur and can be found at http://www.archtest.com/certification/SFIA_SteelFraming_Intertek.aspx.



The Steel Framing Industry Association is dedicated to expanding the market for cold-formed steel in construction through programs and initiatives that Promote the use of cold formed steel framing as a sustainable and cost-effective solution, Advocate the development and acceptance of favorable code provisions, Educate members with reliable data and other critical information that is essential to effective business planning, and create a positive environment for Innovation.

The SFIA is the only organization where members come from virtually every facet of the construction industry, including steel mills, coil coaters, stud and connector manufacturers, component fabricators, engineers, researchers, suppliers/distributors, and builders and framing contractors. This uniquely broad membership enables us to identify issues and opportunities, along with programs and solutions that can be effectively implemented across the industry.

513 West Broad Street, Suite 210
Falls Church, VA 22046
Phone: 703-538-1613
Fax: 703-538-1733
membership@steelframingassociation.org
www.steelframingassociation.org

Version 2023.1